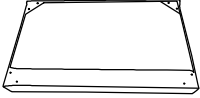


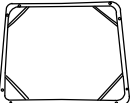

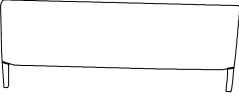
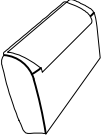
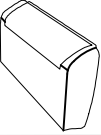
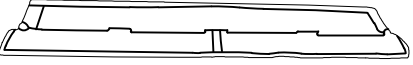

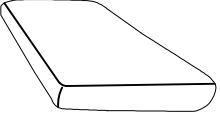
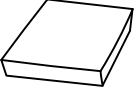

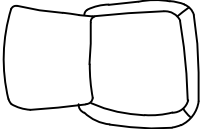
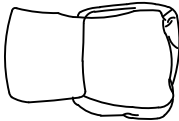
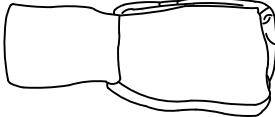
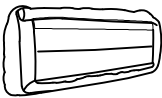
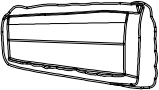
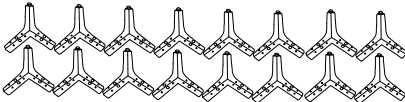
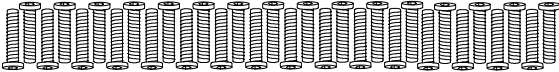
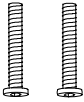
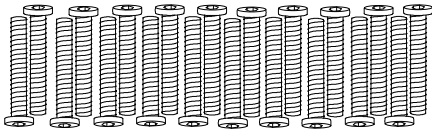
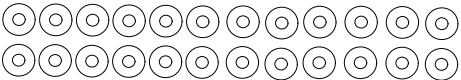


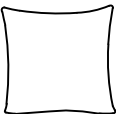


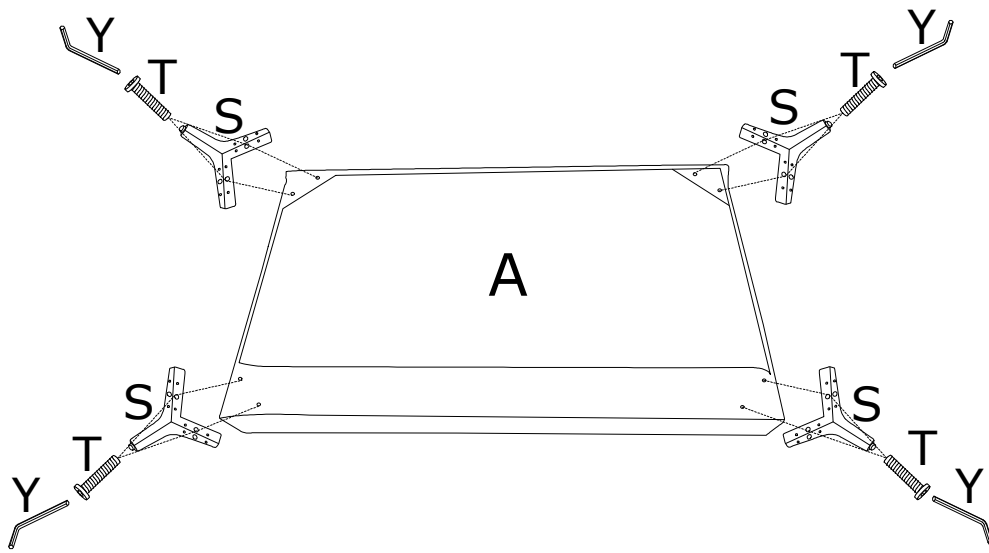
Assembly Ins truction

COOLMORE HFSN-918

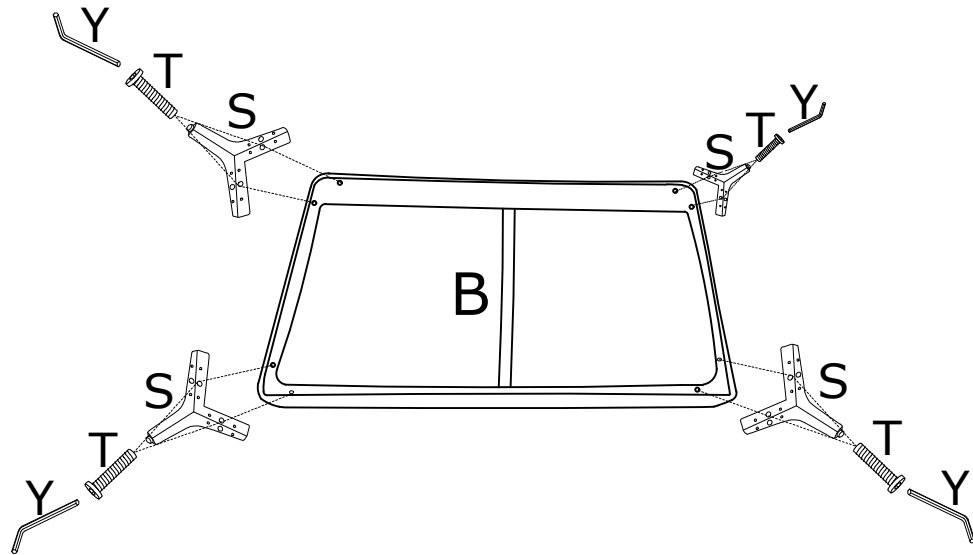
NO	PARTS	QTY
A		1PC
B		1PC
C		1PC
D		1PC
E		2PCS
F		1PC
G		1PC
H		1PC
I		1PC
J		3PCS
K		1PC
L		1PC
M		4PCS

NO	PARTS	QTY
N		1PC
O		3PCS
P		1PCS
Q		1PC
R		1PC
S		16PCS
T		32PCS
U		2PCS
V		20PCS
W		24PCS
X		2PCS
Y		1PC
Z		2PCS

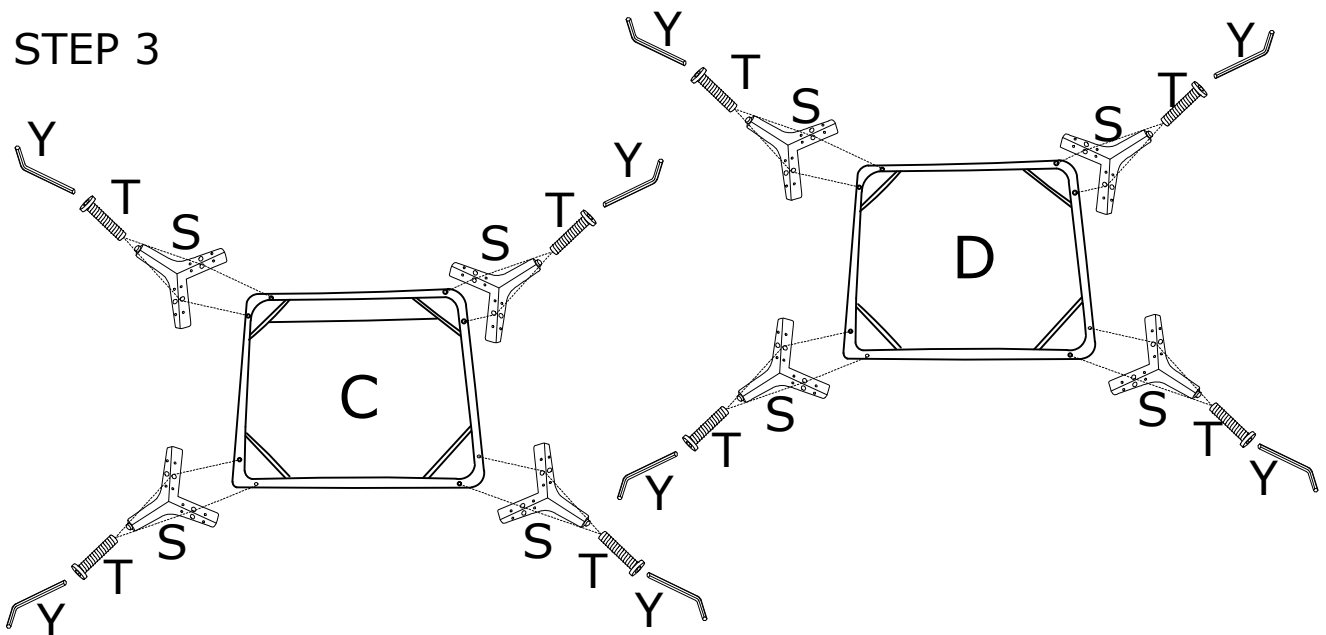
STEP 1



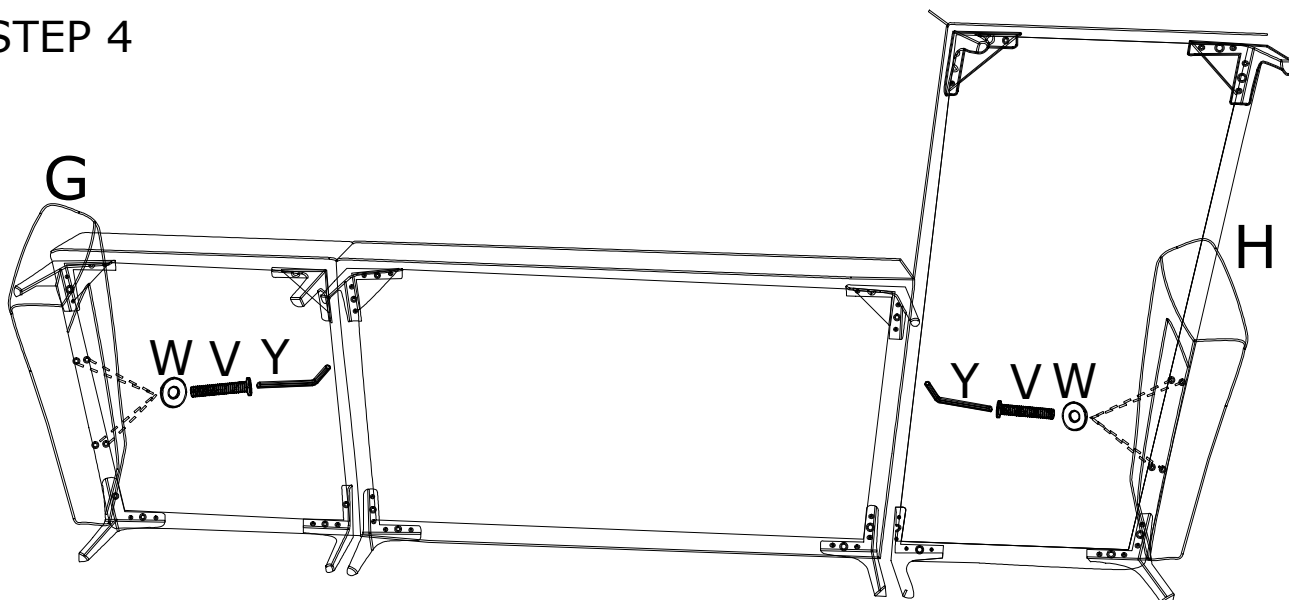
STEP 2



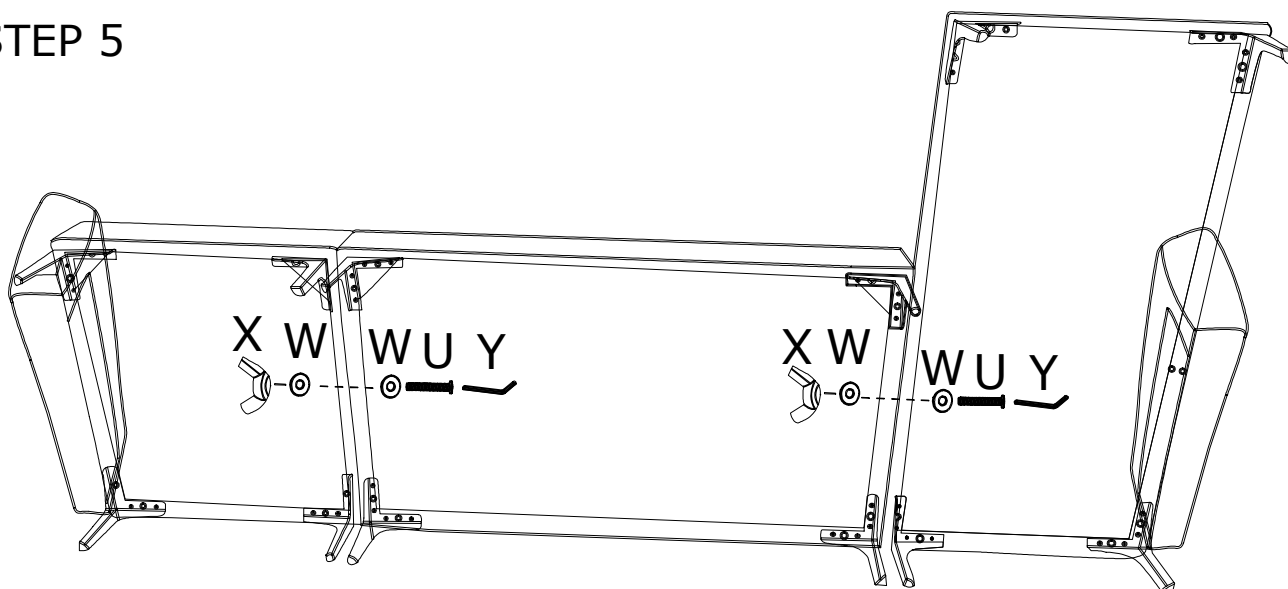
STEP 3



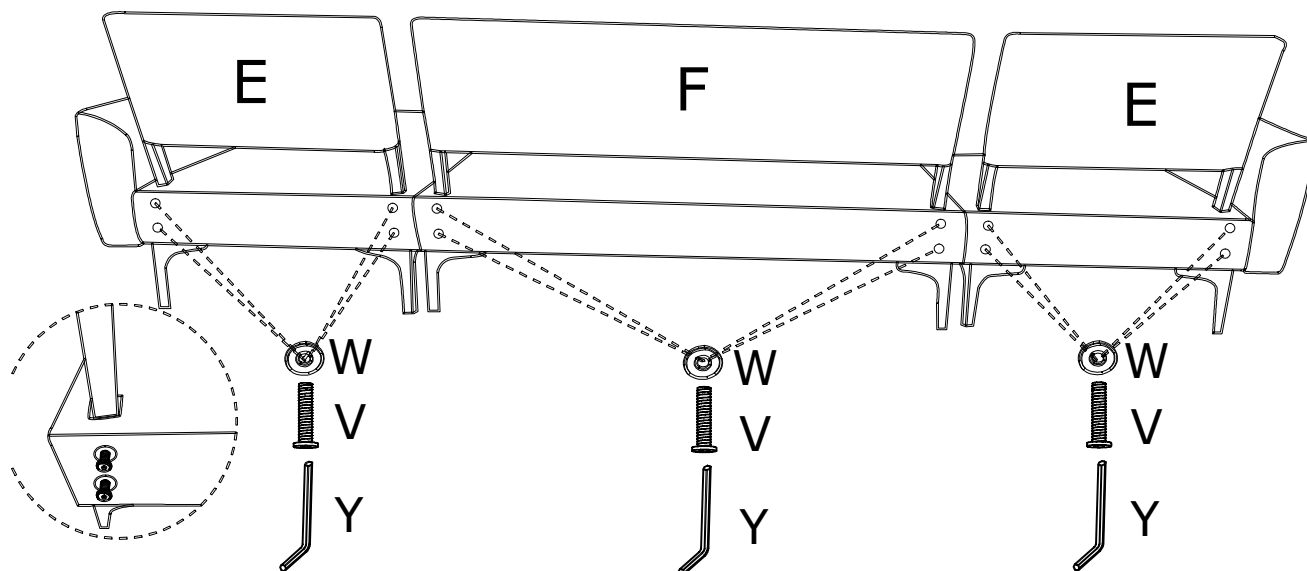
STEP 4



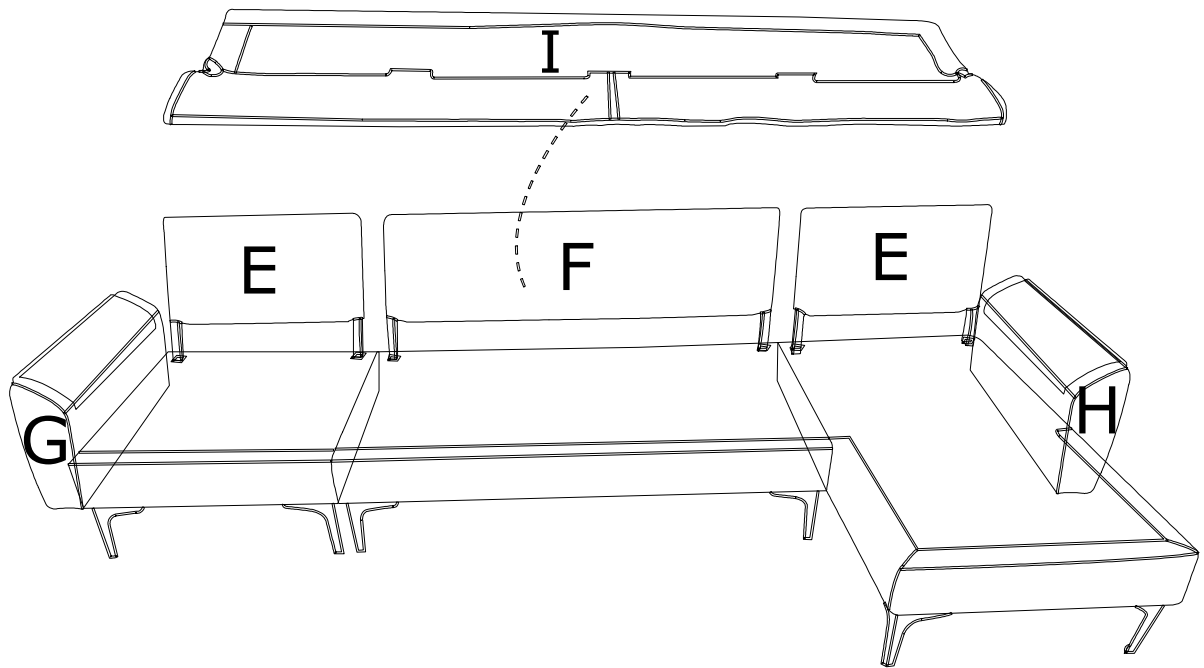
STEP 5



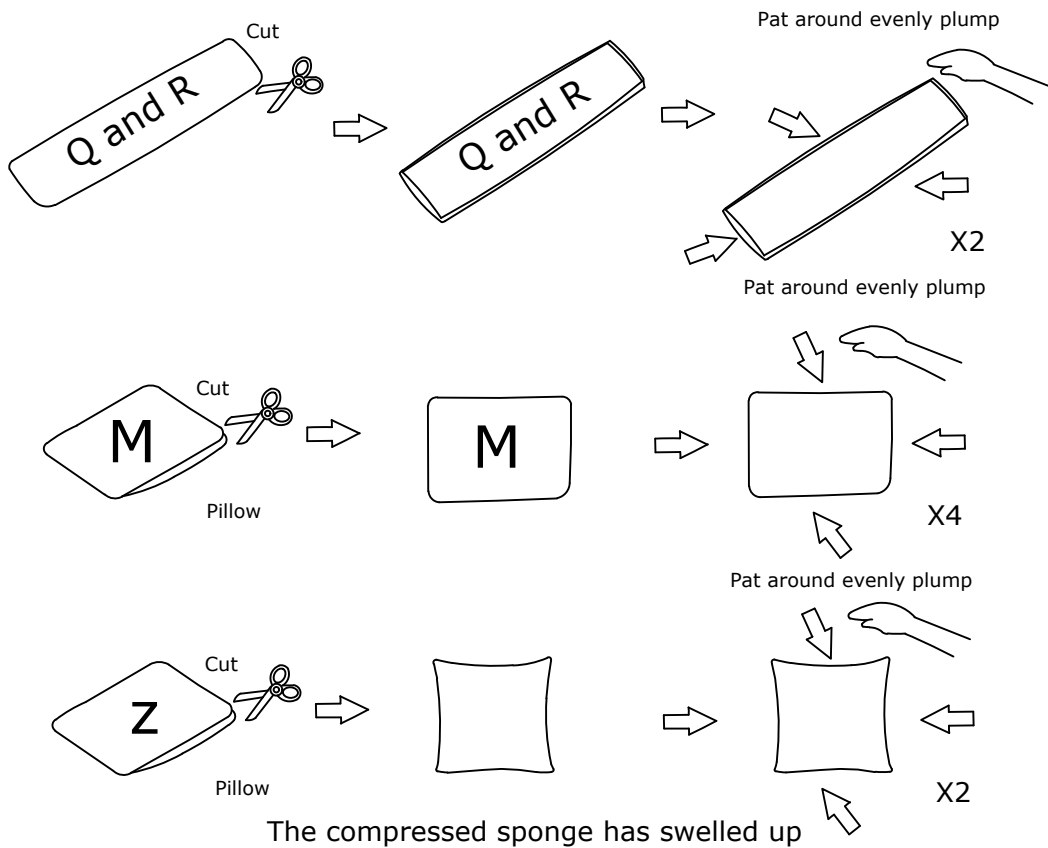
STEP 6



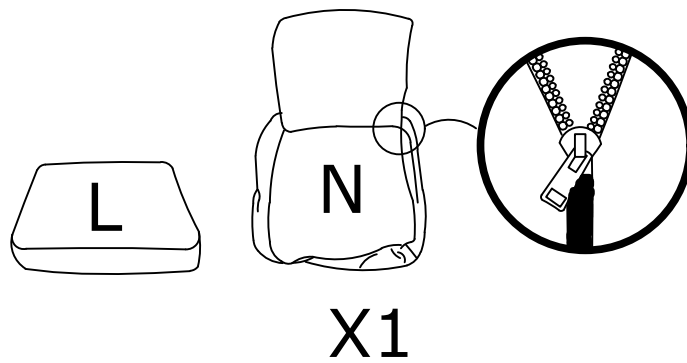
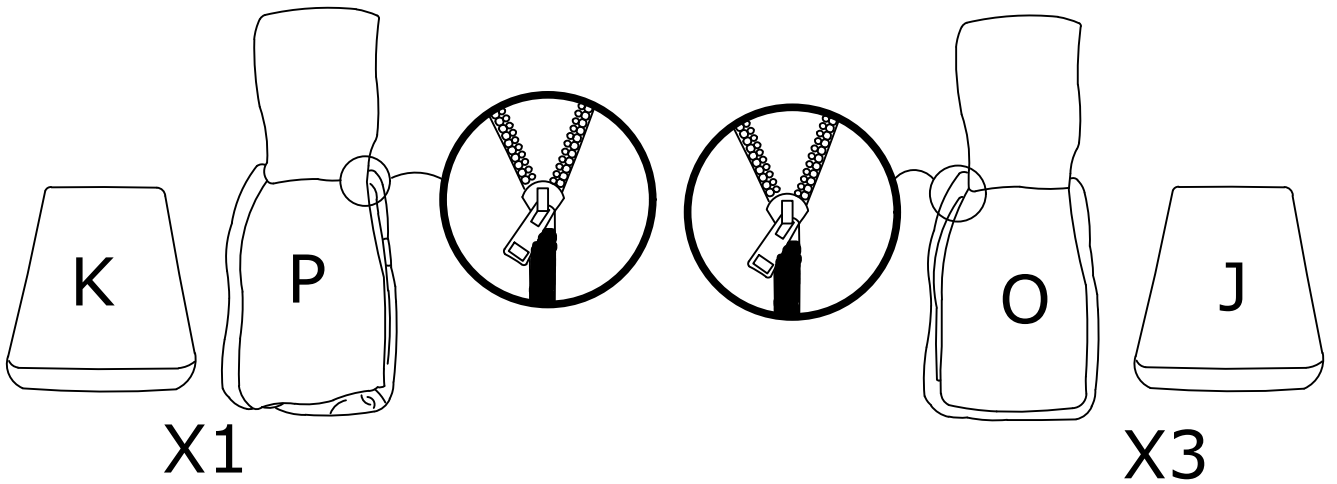
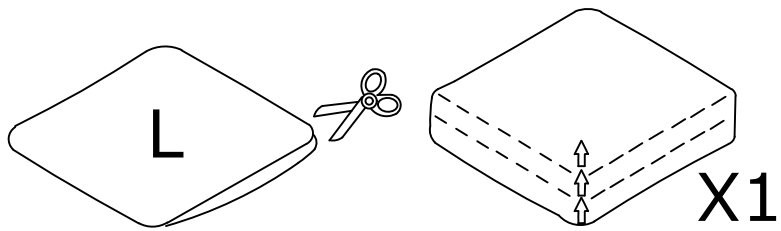
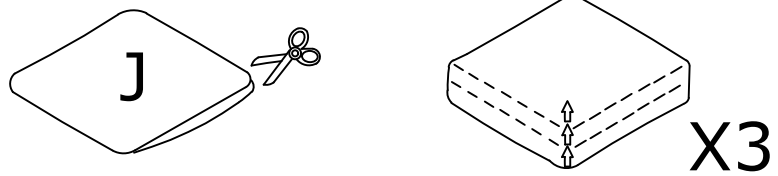
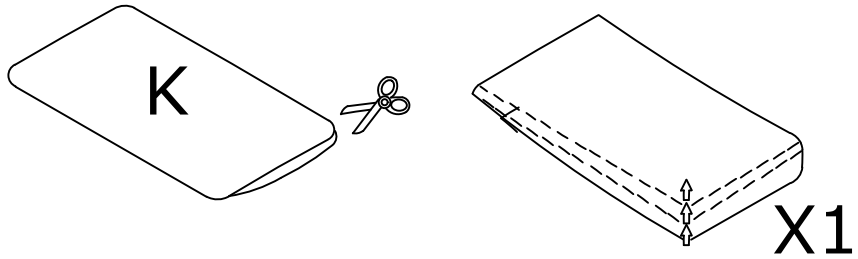
STEP 7



STEP 8

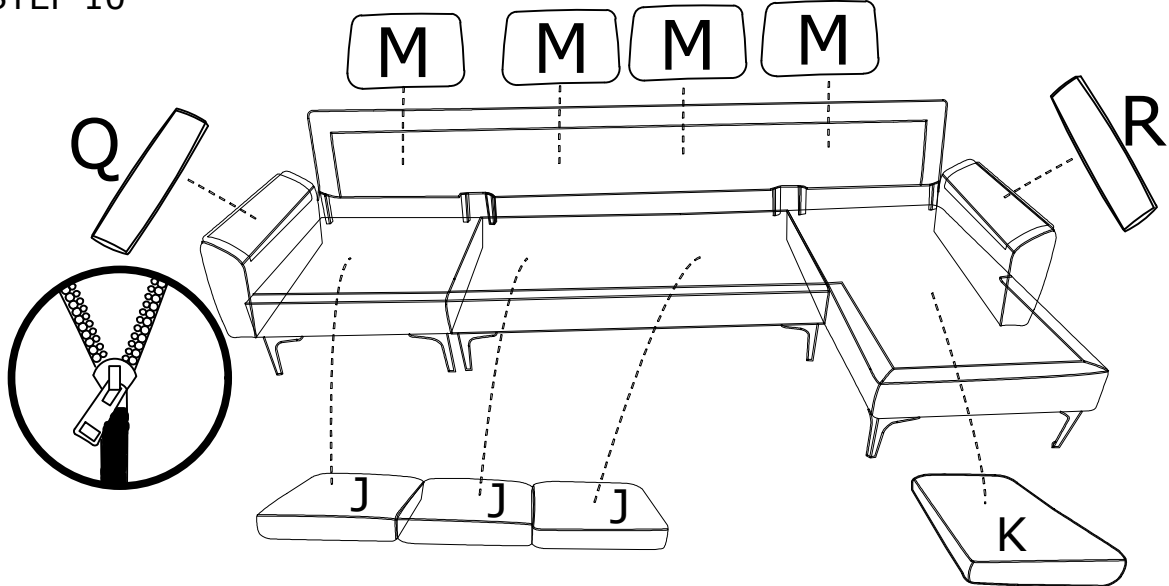


STEP 9

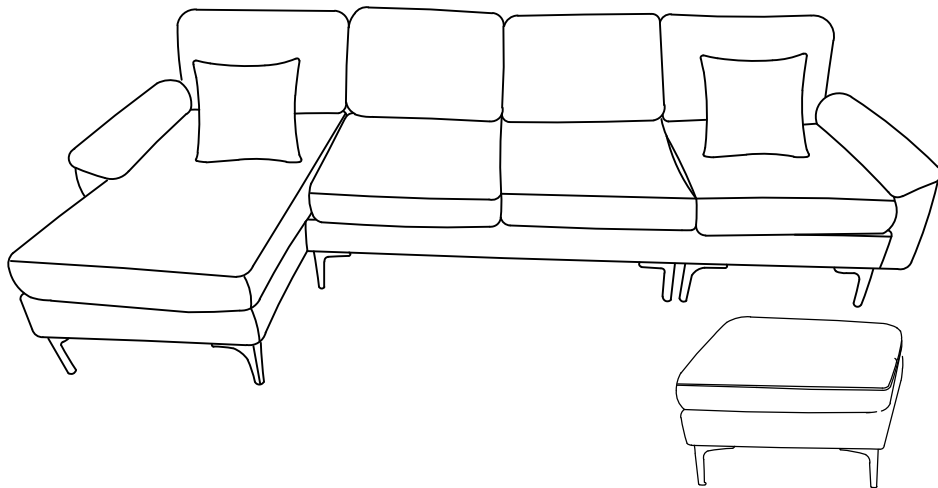


Please align the chain first and then pinch the zipper gently and close it smoothly

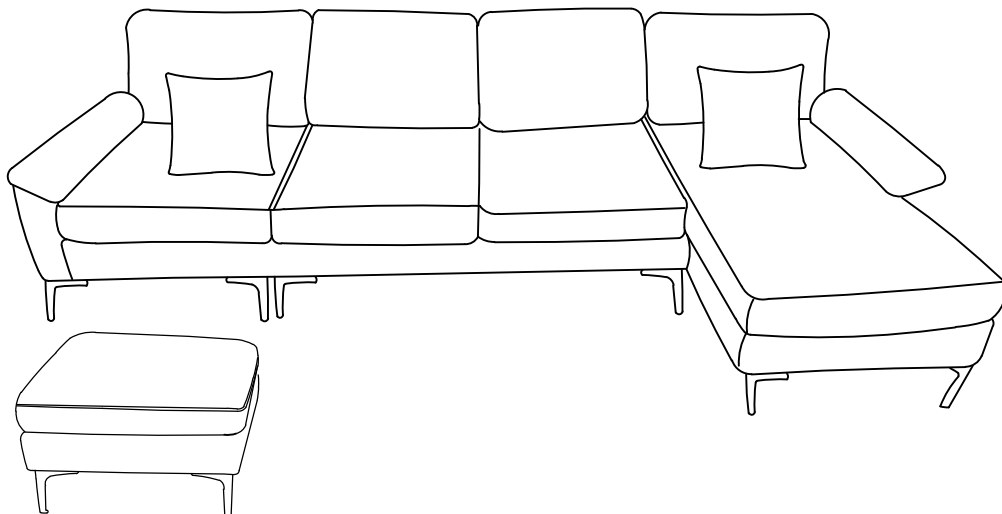
STEP 10



STEP 11



STEP 12



ATTENTION:

1. Please check the manual carefully and make sure you have received all the parts.
2. If there is any missing, please let us know the letter of the parts you need.
3. If there is any damage, please send clear photos to us, we will check and offer you best solution soon.

