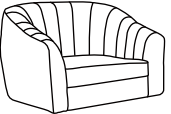

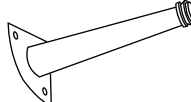
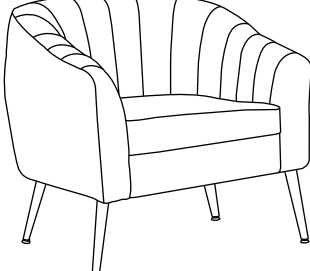
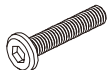
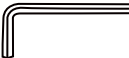
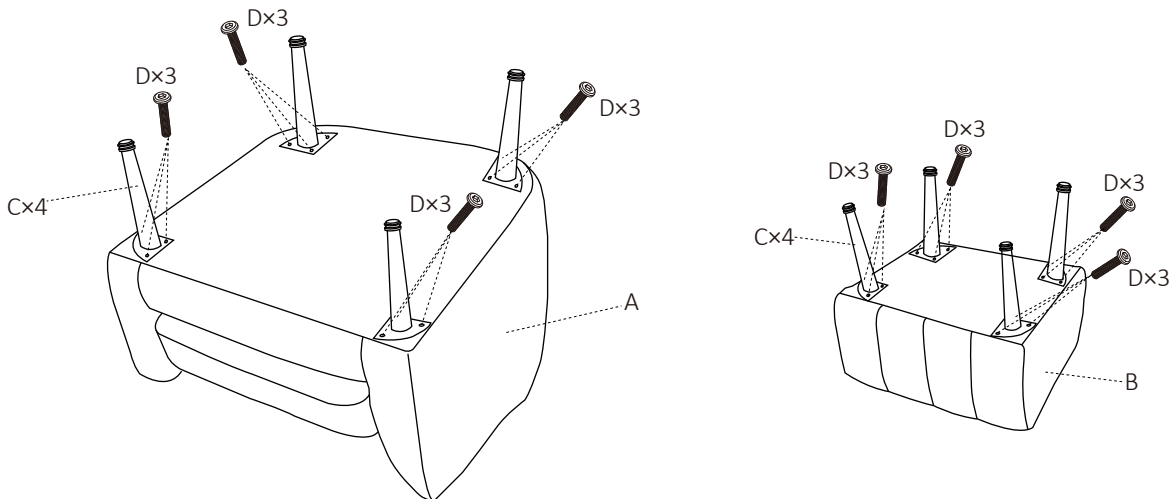


# ASSEMBLY INSTRUCTIONS

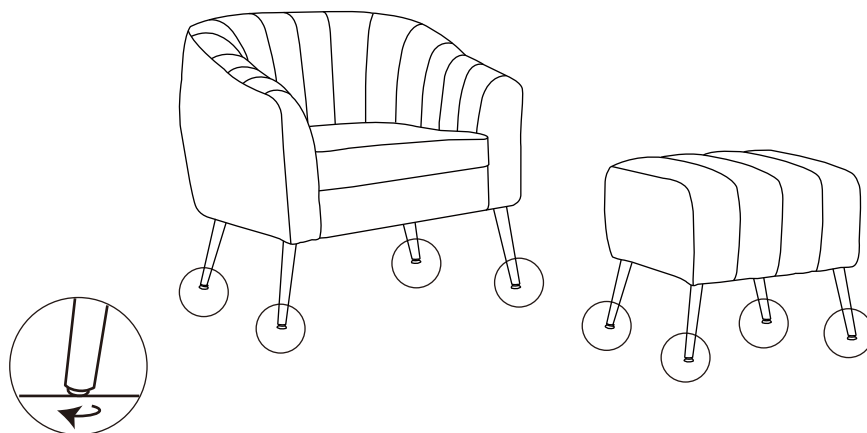
RZ-208

A-1 pc 	B-1 pc 	C-8 pcs 	
D-24 pcs  M6x22mm	E-1 pc 		

1



2



Adjust Pre-installed Levelers height to achieve balance