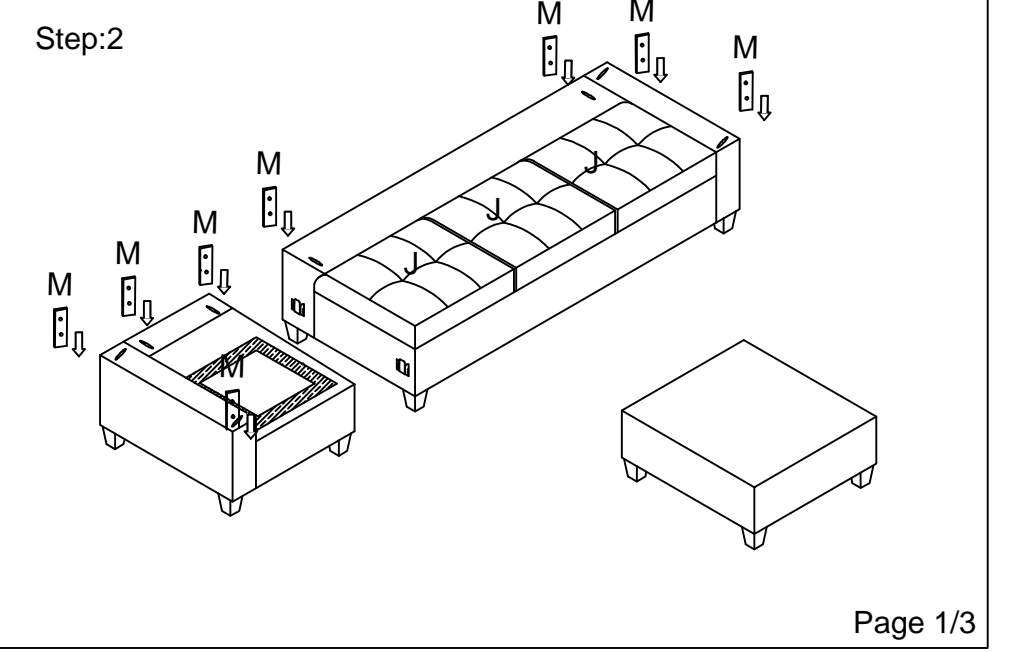
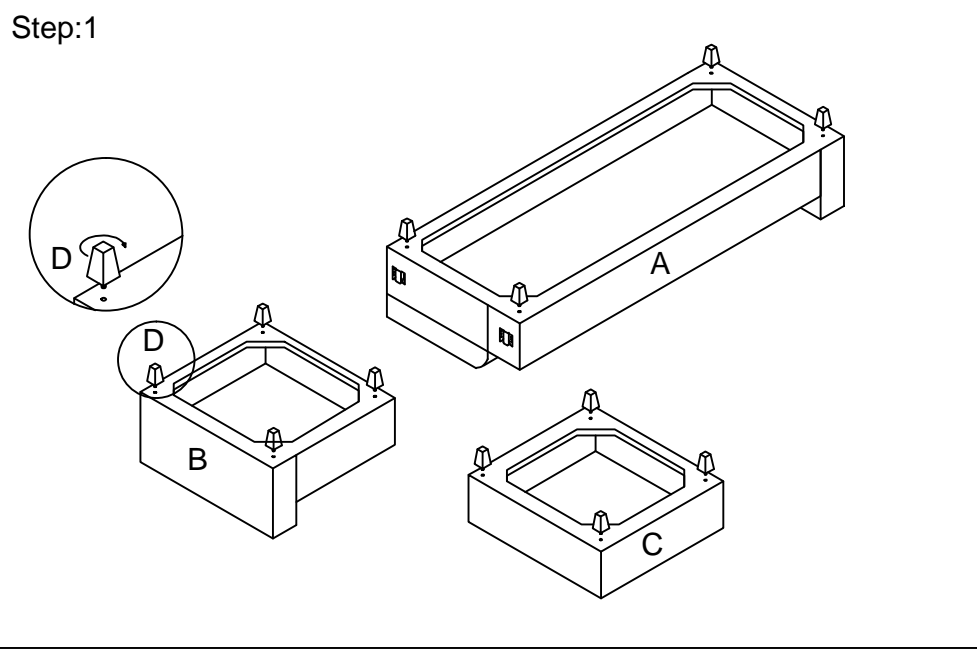
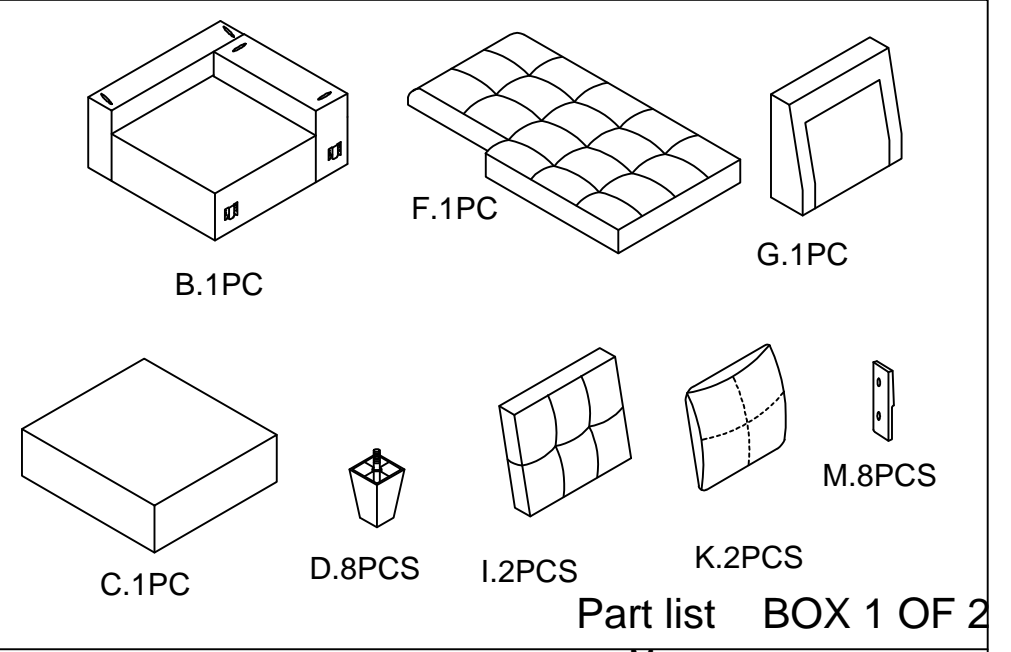
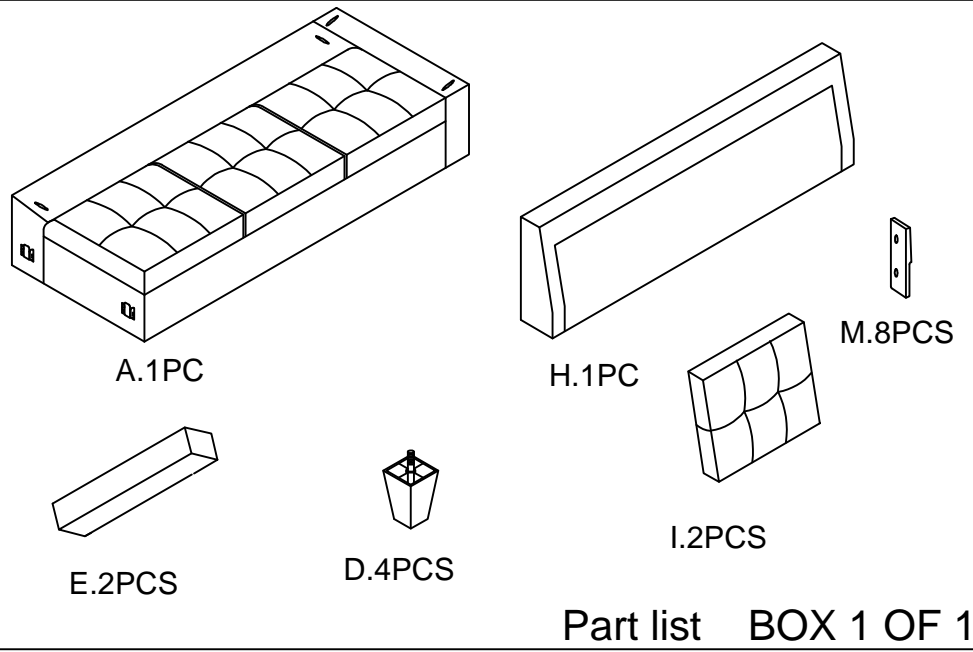
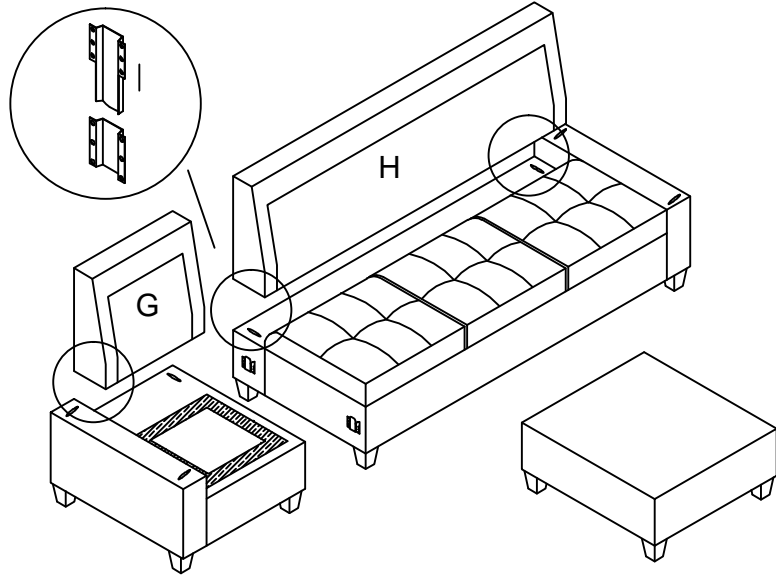


# Assembly Instruction

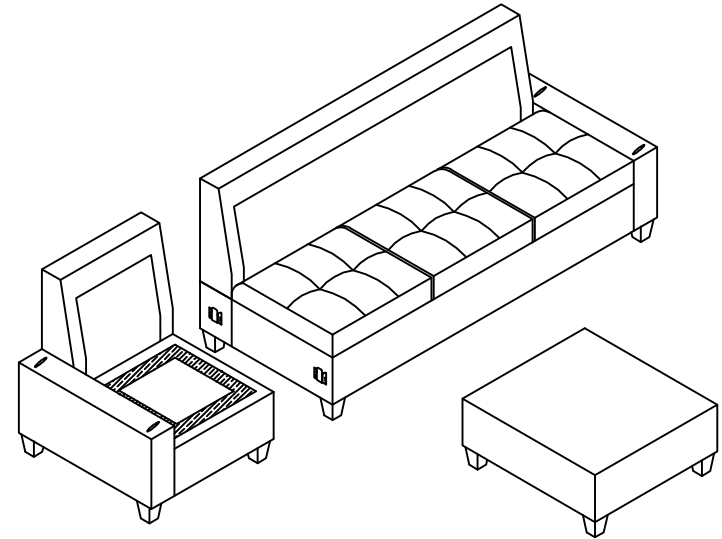


# Assembly Instruction

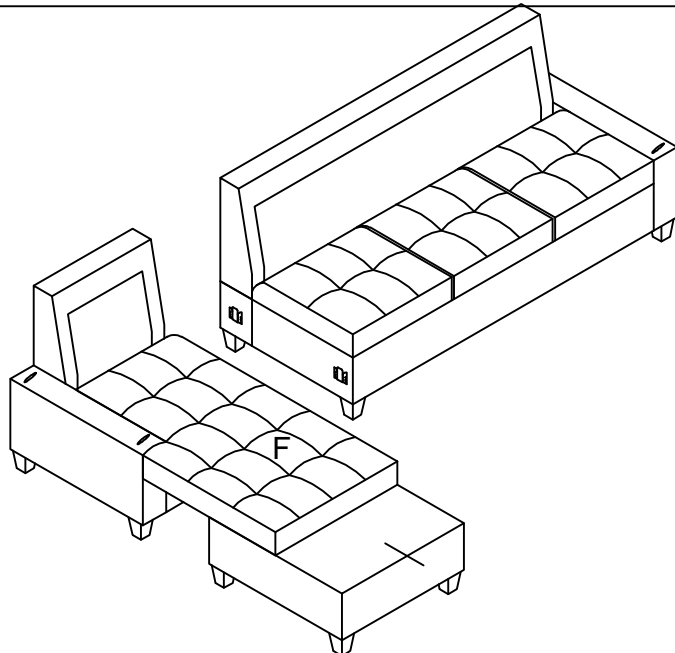
Step:3



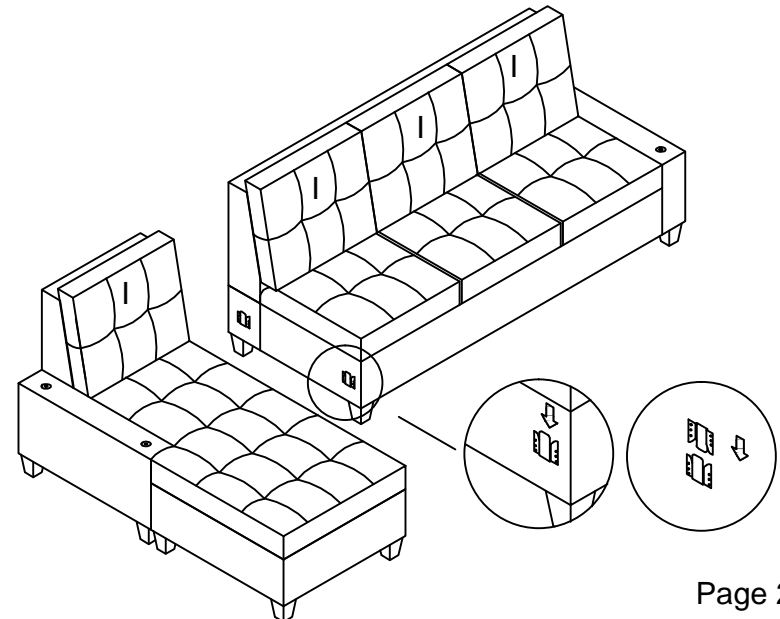
Step:4



Step:5

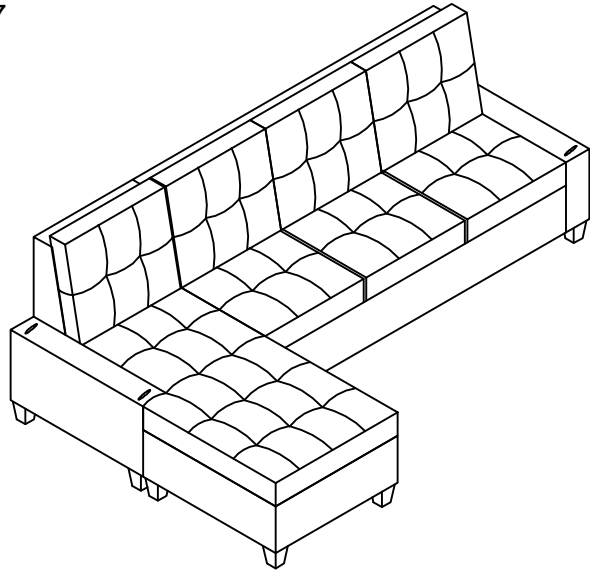


Step:6



# Assembly Instruction

Step:7



Step:8

