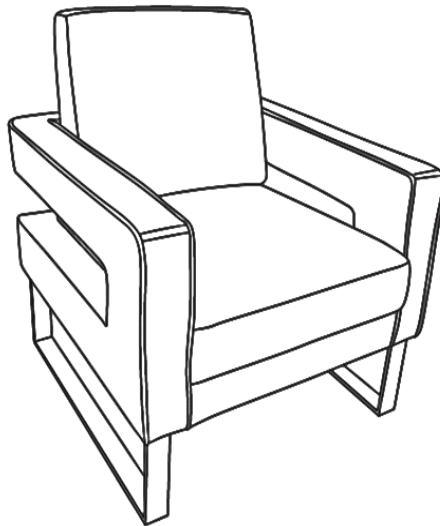


# Assembly Instructions

Caution : You should read this before you proceed

## Arm Chair



### Part List

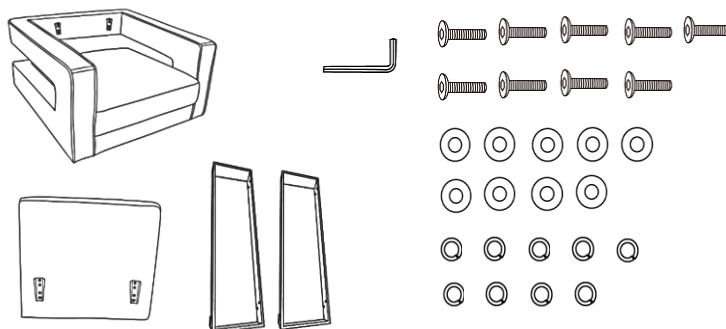
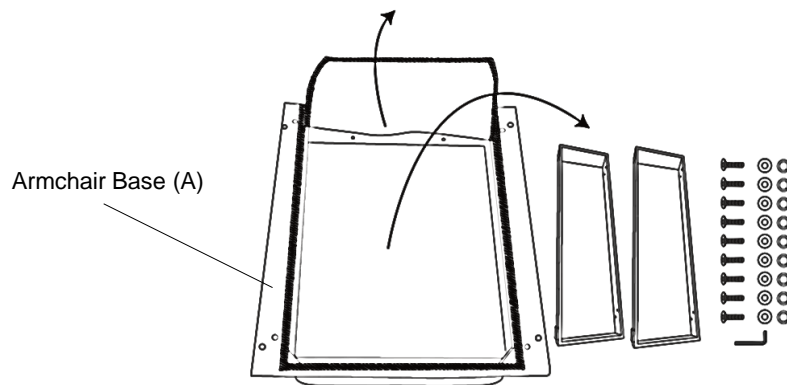
Label	Picture	Description	QTY
A	A line drawing of the armchair base, showing the front and side views of the frame without the seat or backrest.	Armchair Base	1
B	A line drawing of the backrest, a rectangular panel with two small rectangular cutouts at the bottom corners.	Back	1
C	A line drawing of a single leg, a rectangular piece with a slightly tapered top and bottom edge.	Leg	2

## Hardware

Label	Picture	Description	QTY
①		Bolt (M8*35mm)	9
②		Washer	9
③		Spring Washer	9
④		Allen Wrench	1

## Assembly Preparation

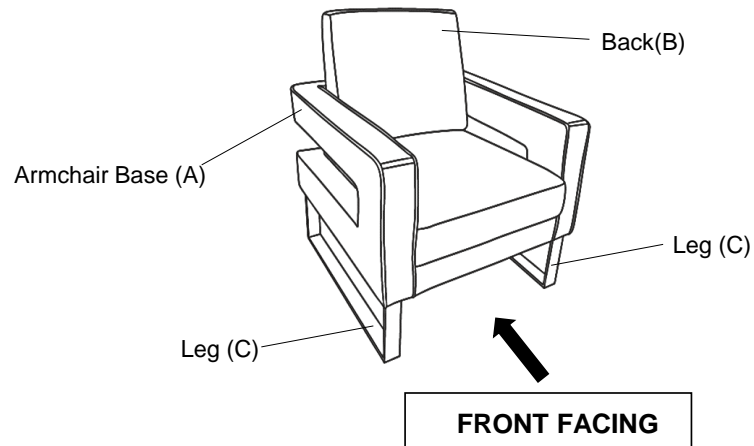
Before  
Beginning  
Assembly:



- Read instructions, cover to cover-
- Have 2 adults on hand for assembly-
- Do not assemble on flooring or carpet-
- Assemble on a clean non-marring surface (packing foam)-
- Save all packaging until finished-

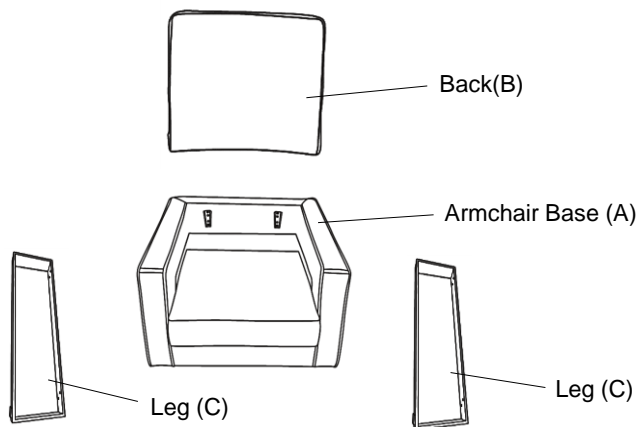
## Assembly Steps

### Overview



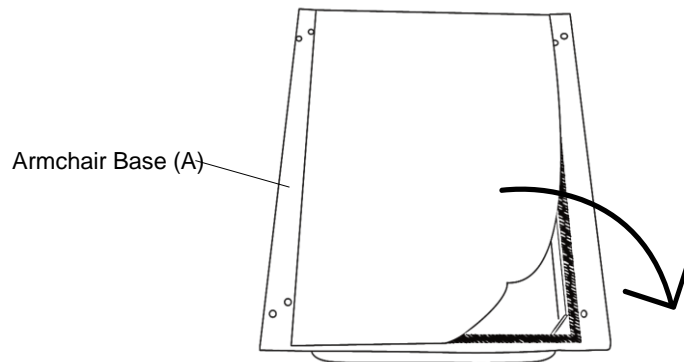
This Armchair has multiple parts and may require up to 30 minutes to assemble. To give you an overview of the Bench parts, the above picture is provided to help you put the various parts into perspective. Please read through the instructions below to familiarise yourself with the parts and steps before assembly.

### Step 1



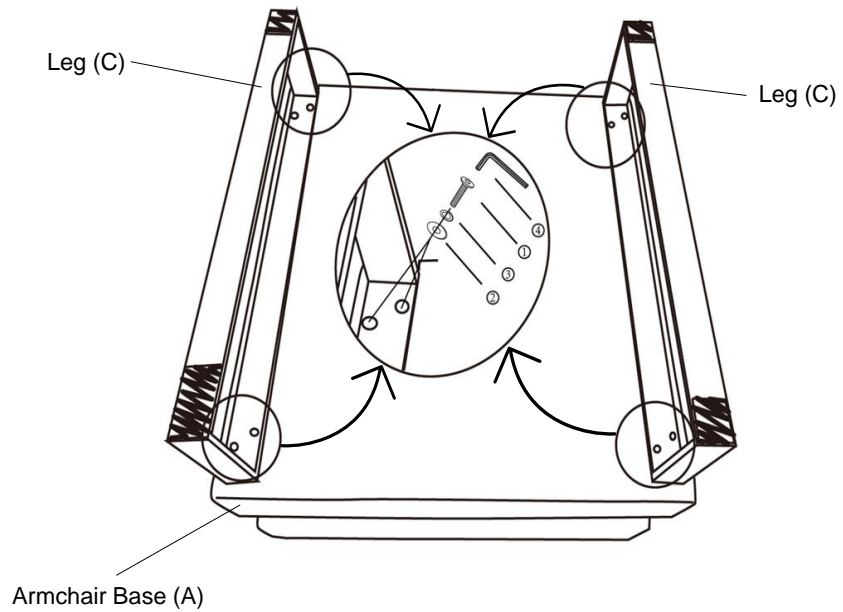
Place the Armchair Base(A), the Back(B) and the Legs(C) on a clean, non-marring surface.

### Step 2



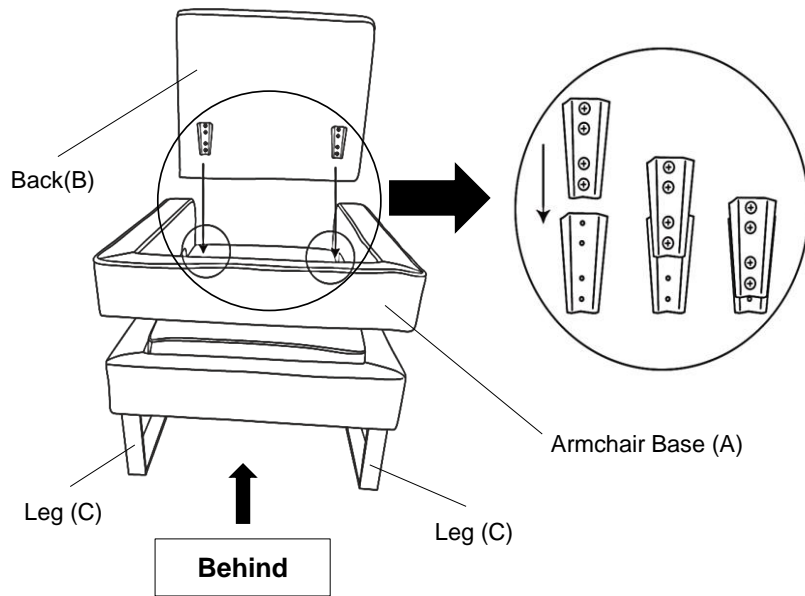
Unroll the dust cover and stick it with magic tape.  
Smooth out the edges to ensure even placement of the dust cover.

**Step 3**



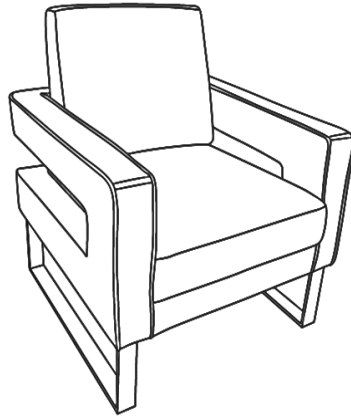
Position the Armchair Base(A) facedown as shown.  
Align the Legs(C) onto the Armchair Base(A) as pictured above.  
Attach the Legs(C) to the Armchair Base(A) using Bolts(①), Spring Washers(③), Washers(②) and the Allen Wrench(④).  
**Tighten the Bolts fully in a sequential manner.**

**Step 4**



With assistance from your adult partner, hold up the Back(B), while standing behind the Armchair Base(A).  
Align the mounting brackets on both sides of the Back(B) with those on the Armchair Base (A). Then slide Back(B) downward into the mounting position on Armchair Base (A) by hand to make sure it locks into place as pictured.

## Step 5



Your Armchair is ready for use.

**This Armchair can only be used on a flat, level surface.**

## Care & Maintenance



- Furniture may scratch floors. We recommend using furniture pads to protect your floors.



- Do not put hot items directly on furniture surface.



- Do not clean furniture with harsh cleansers or polish.



- Do not place furniture under direct sunlight.



- Do not place furniture near heating or cooling vents.



- Do not write on furniture without a padded barrier to protect the surface.



- Do not place furniture outside . For indoor use only.



- Not for commercial use. For residential use only.



- Stains may be removed with mild soap solution and damp cloth.



- Children should not climb or jump on the furniture.



- Dust and pick-up spills using a clean, non-colored, lint-free cloth.