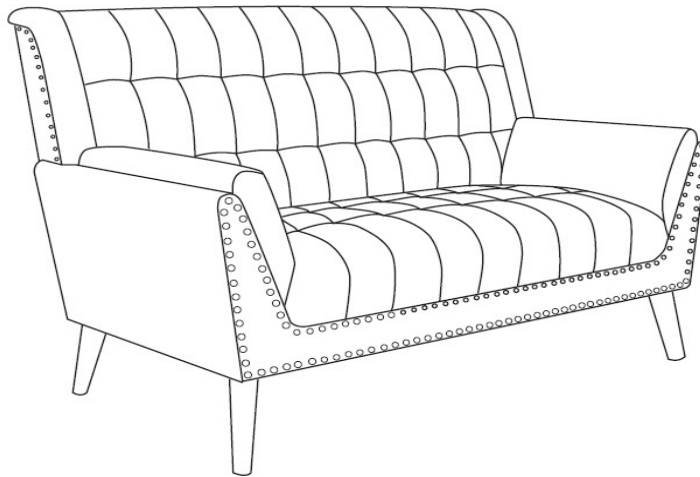


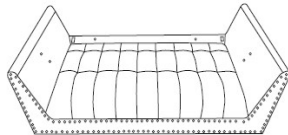
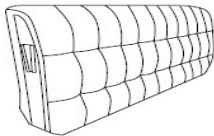
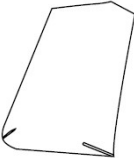
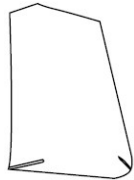
Assembly Instructions

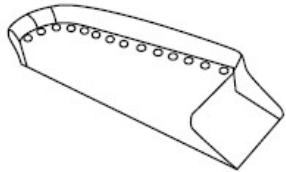
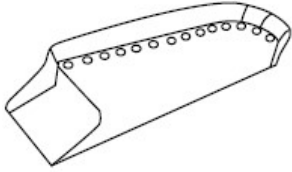


Caution :You must read this before you proceed

Loveseat Sofa









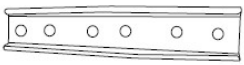


Parts List

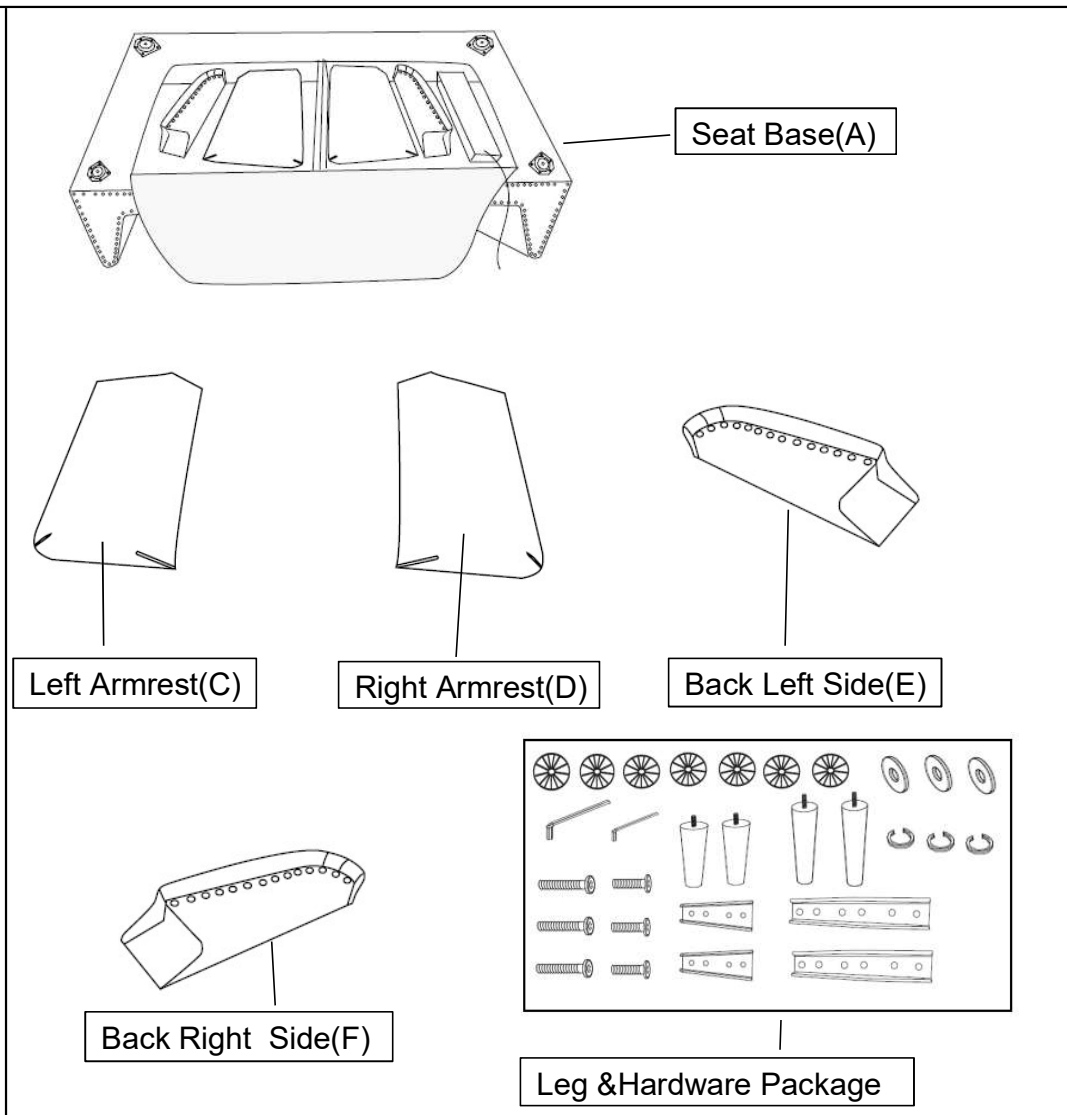
Label	Picture	Description	QTY
A		Seat Base	1
B		Backrest	1
C		Left Armrest	1
D		Right Armrest	1

E		Back Left Side	1
F		Back Right Side	1
G		Front Leg	2
H		Back Leg	2

Hardware

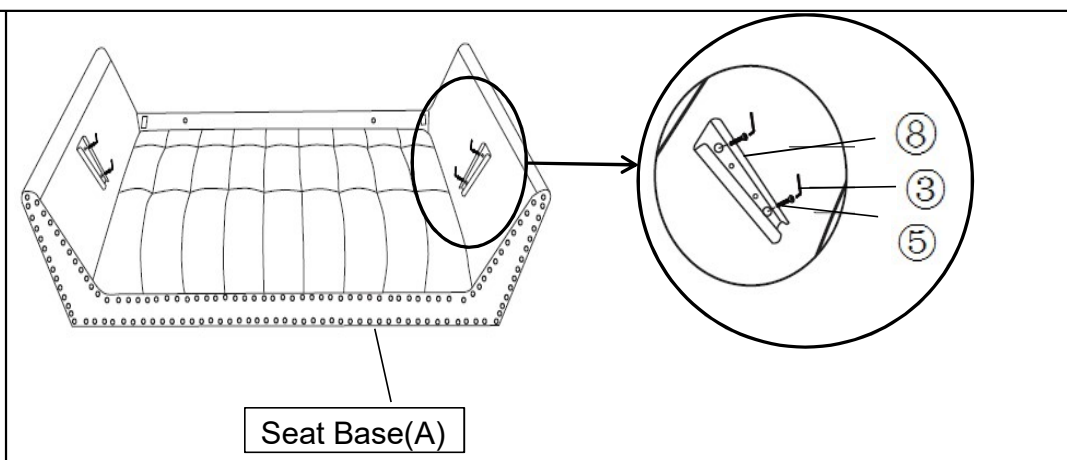
Label	Picture	Description	QTY
①		Plastic Washer	7
②		Allen Key(S6)	1
③		Allen Key(S4)	1
④		Bolt (M8*55mm)	3
⑤		Bolt (M6*30mm)	5
⑥		Washer Rings	3
⑦		Washer	3
⑧		V-Insert	2
⑨		Double Head Insert	2

Step 1



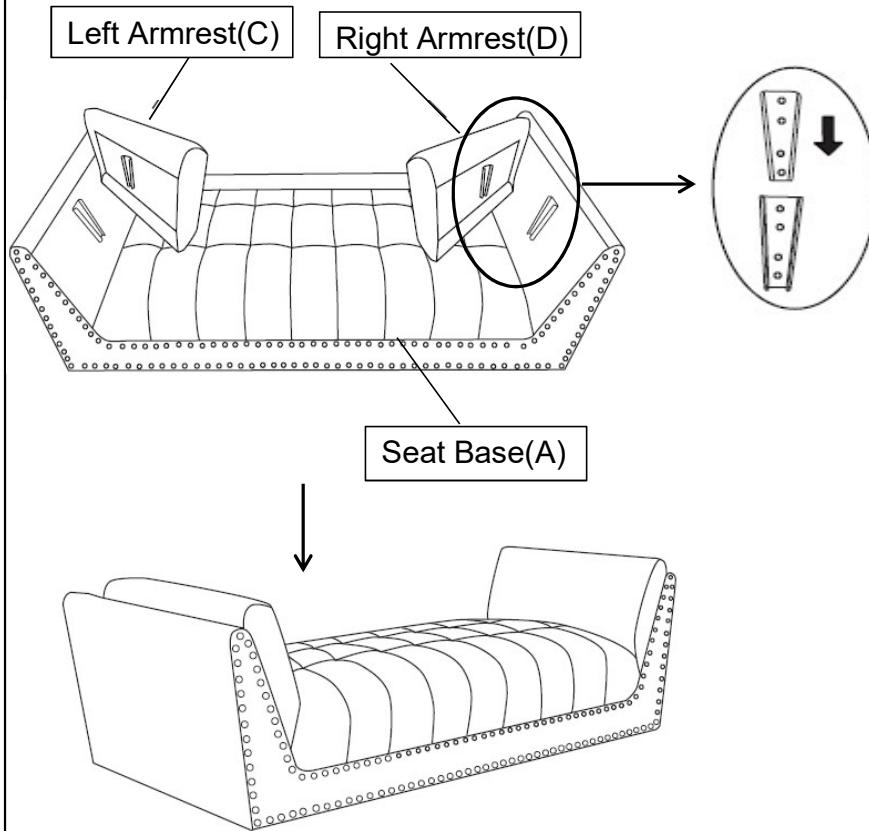
Position the Seat Base(A) on its back, on a clean, non-marring surface. Unzipper the non-woven Fabric and remove the Left Armrest(C), Right Armrest(D), Back Left Side(E), Back Right Side(F), Leg & Hardware Package from Seat Base(A).

Step 2



Stand the Seat Base(A) right side up . Install the the V-Insert(8) into the Seat Base(A) using the the Bolt(5) with Allen Key(3) by turning clockwise until tight as shown above.

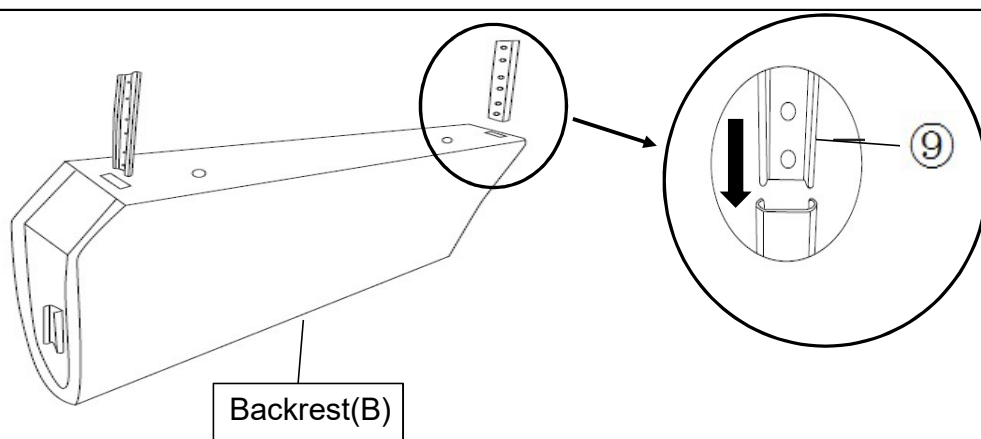
Step 3



Attach the Right Armrest(D) to the Seat Base(A) by inserting the V-Insert(8) on Right Armrest(D) to the V-Insert(8) on the Seat Base(A), as shown above.

Repeat the same step to install the Left Armrest(C) .

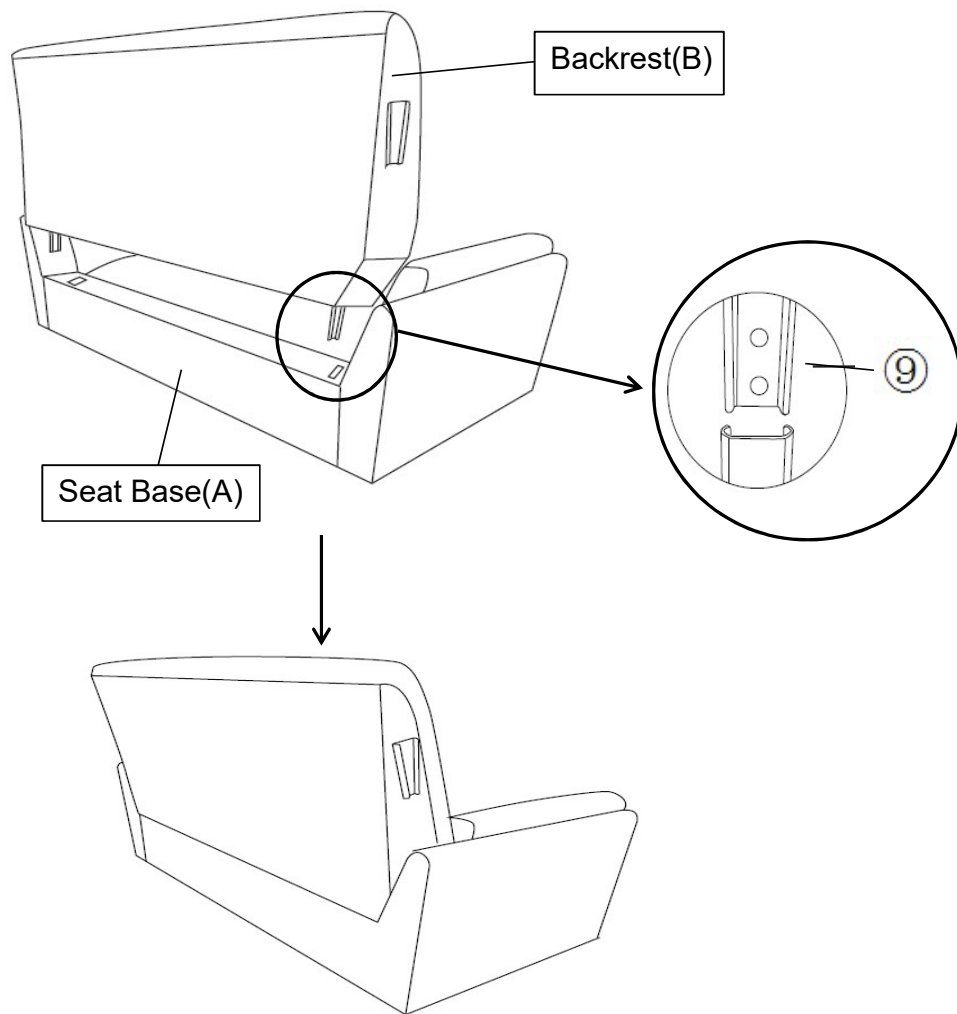
Step 4



Position the Backrest(B) on its back as shown.

Put the Double Head Insert(9) into the Backrest(B) as shown above.

Step 5



With assistance from your adult partner, hold up the Backrest(B), stand behind the Seat Base(A).

Slide the Double Head Insert(9) on the Backrest(B) into the Double Head Insert(9) on the Seat Base(A) as shown in the picture.

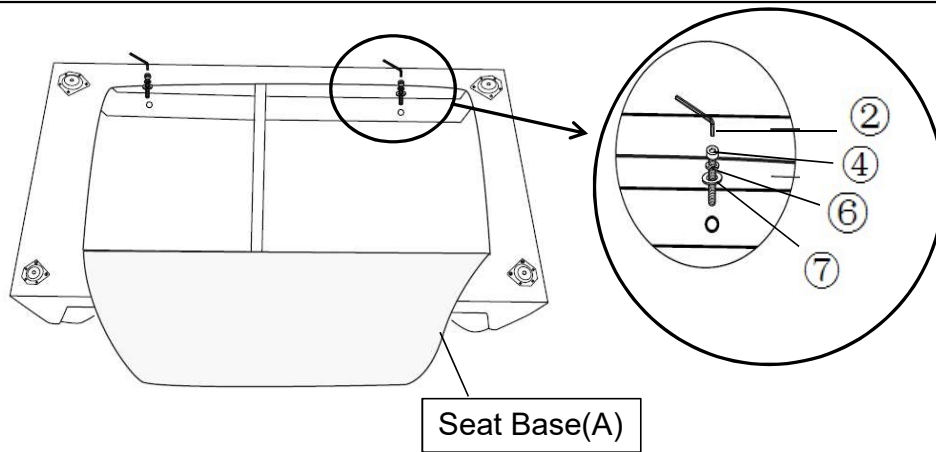
Note: Make sure the Double Head Insert(9) on Backrest(B) lock into the Double Head Insert(9) on the Seat Base(A).

Assistance from an adult partner is necessary for this assembly process.

During this assembly process - do exercise caution. You may need to use your hand to press down and or pave away the padded surface to facilitate the 'slip and slide' assembly.

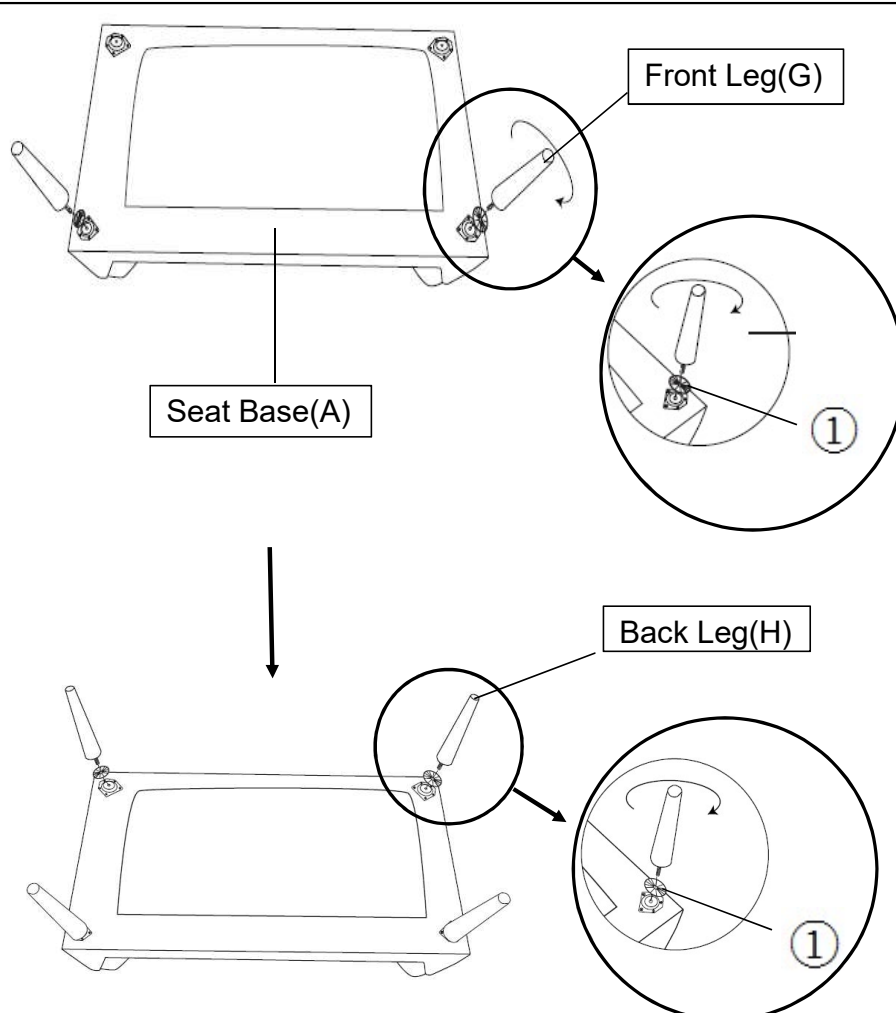
Caution: Ensure that your fingers do not get caught or pinched in the assembly process.

Step 6



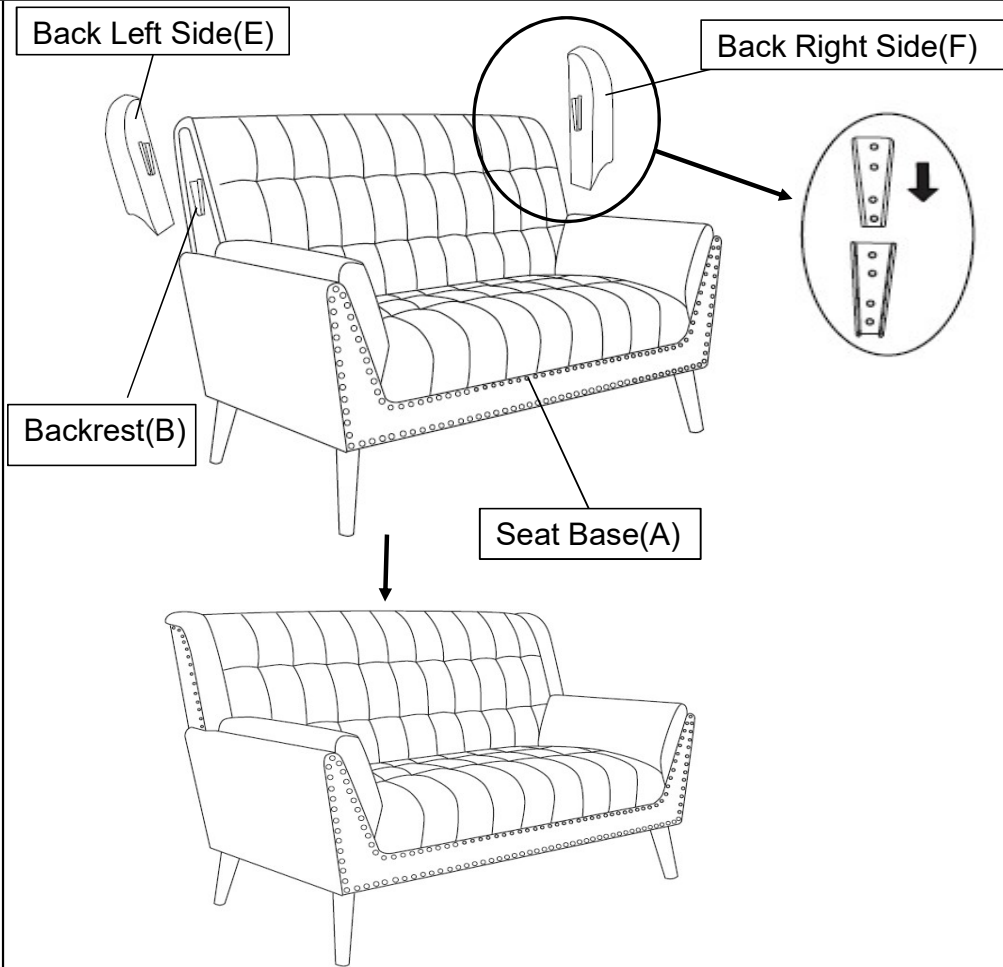
Put the Seat Base(A) on its back as shown.
Attach the Backrest(B) to the Seat Base(A) Use Bolt(④),Washer Rings(⑥),Wash(⑦) with Allen Key(②) by turning clockwise until tight as shown above.
Tighten the Bolts fully in a sequential manner.

Step 7



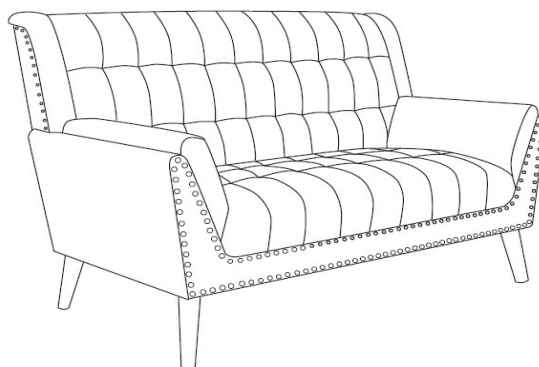
Install the Front Leg(G) to the Seat Base(A) with Plastic Washer(①)by turning the leg clockwise as shown.
Repeat the same step to install the Back Leg(H).
Note: The use of Plastic Washer(①) are OPTIONAL and are especially useful to help alleviate slight wobbleness. Some Legs may need more than one Plastic Washer(①) whilst some Legs may not need any.

Step 8













Stand by the side of Backrest(B) while holding up the Back Right Side(F). Firmly but gently, push the Back Right Side(F) downwards until the Back Right Side(F) is fully slotted and locked into position, as shown above. Repeat the same step to install the Back Left Side(E).

Step 9



Your Loveseat Sofa is ready for use.
Caution :This Loveseat sofa can only be used on a flat, level surface.

Care & Maintenance

-  Do not put hot items directly on furniture surface
 -  Do not clean furniture with harsh cleansers or polish.
 -  Do not place furniture under direct sunlight.
 -  Do not place furniture near heating or cooling vents.
 -  Do not write on furniture without a padded barrier to protect the surface.
 -  Do not place furniture outside . For indoor use only .
 -  Not for commercial use. For residential use only .
 -  Stains may be removed with mild soap solution and damp cloth.
 -  Children should not climb or jump on the furniture.
-
-  Dust and pick-up spills using a clean, non-colored, lint-free cloth .