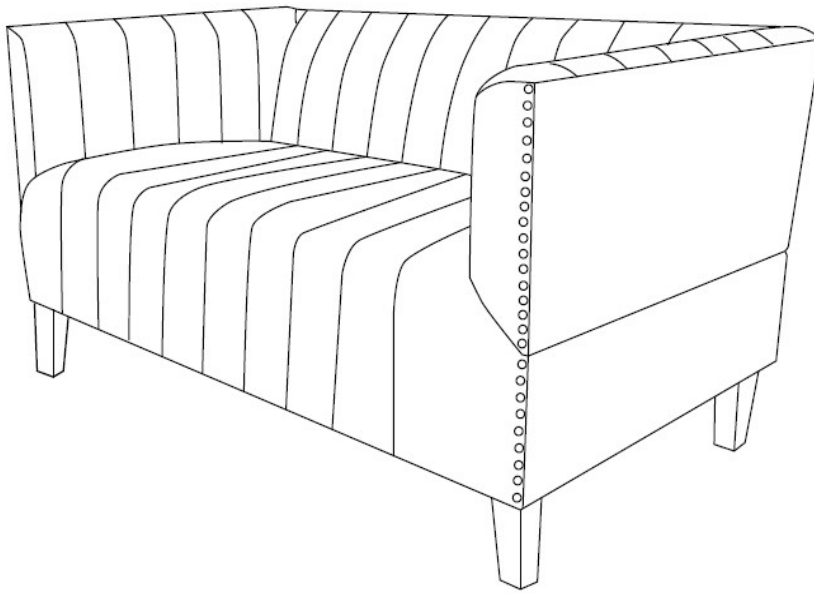


Assembly Instructions

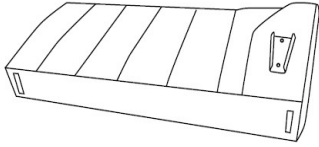

Caution : You must read this before you proceed

Loveseat Sofa


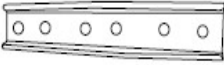



Parts List

| Label | Picture | Description | QTY |
|-------|--|---------------|-----|
| A | A line drawing of the seat base, showing vertical ribbing and a trapezoidal shape. | Seat Base | 1 |
| B | A line drawing of the backrest, showing vertical ribbing and a trapezoidal shape. | Backrest | 1 |
| C | A line drawing of the right armrest, showing vertical ribbing and a tufted edge with a row of small circles. | Right Armrest | 1 |

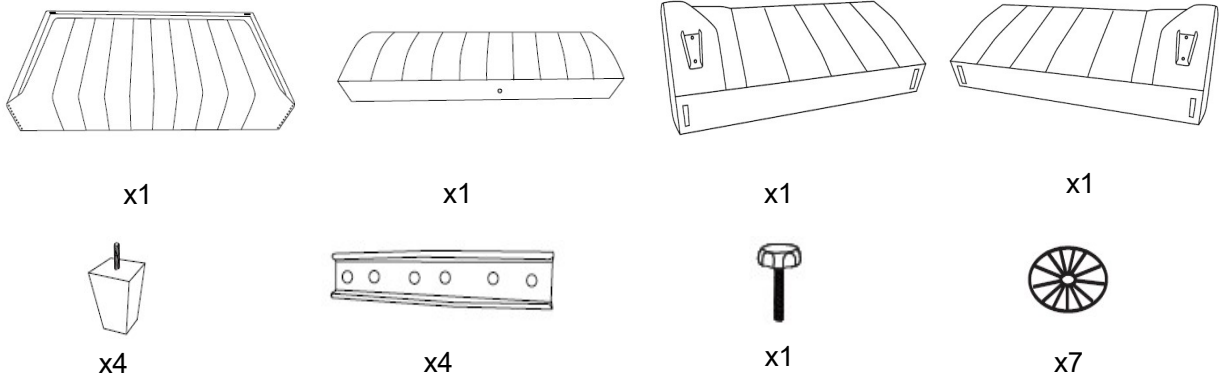
| | | | |
|---|---|--------------|---|
| D |  | Left Armrest | 1 |
| E |  | Leg | 4 |






Hardware List

| Label | Picture | Description | QTY |
|-------|---|--------------------|-----|
| ① |  | Plastic Washer | 7 |
| ② |  | Double Head Insert | 4 |
| ③ |  | Bolt | 1 |

Assembly Preparation

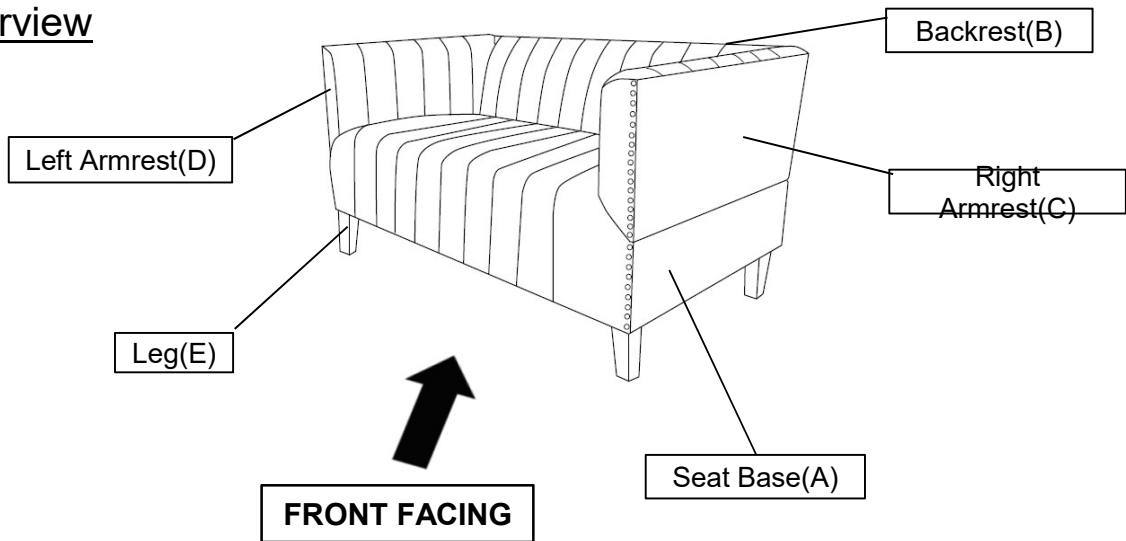
Before Beginning Assembly:



-  • Read instructions, cover to cover-
-  • Have 2 adults on hand for assembly-
-  • Do not assemble on flooring or carpet-
-  • Assemble on a clean non-marring surface (packing foam)-
-  • Save all packaging until finished-

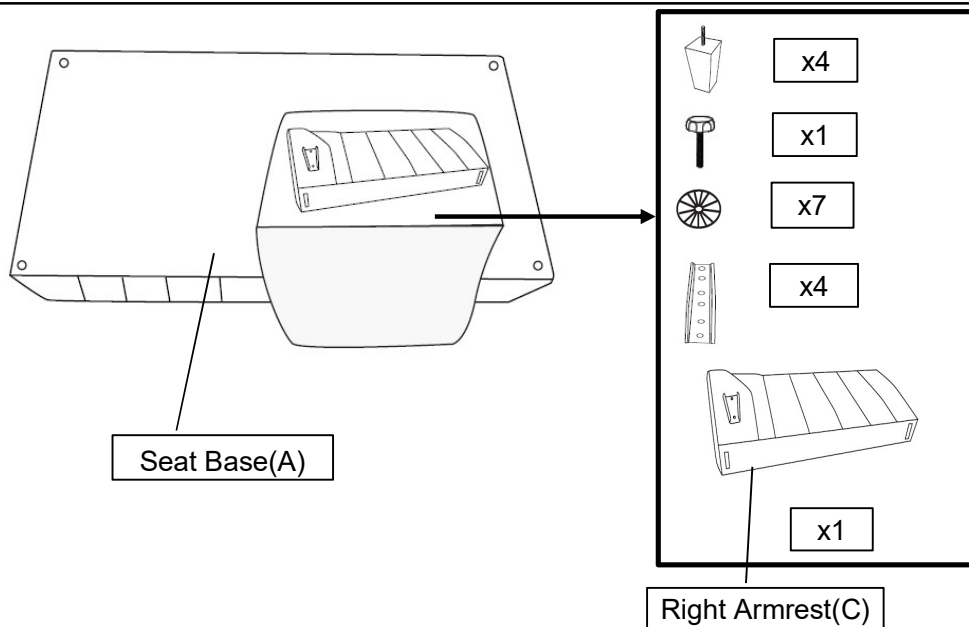
Assembly Steps

Overview



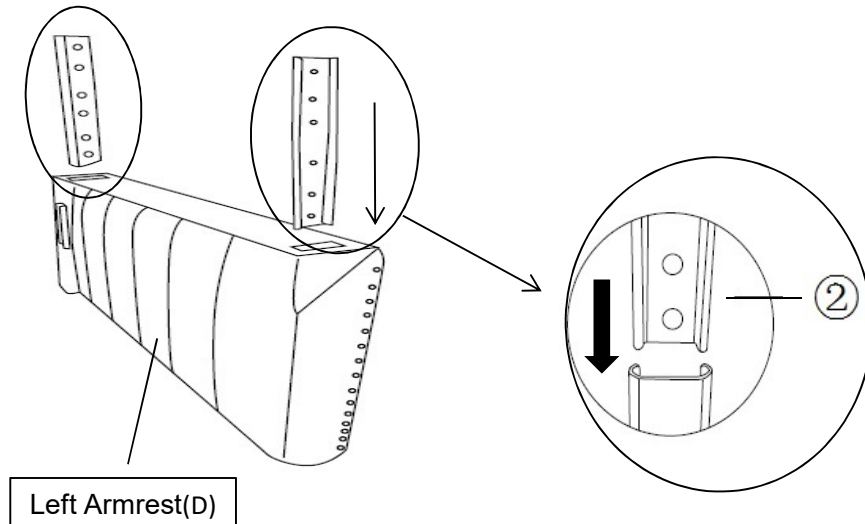
This Loveseat Sofa has multiple parts and may require up to 30 minutes to assemble. To give you an overview of the Loveseat Sofa parts, the above picture is to help you put the various parts into perspective. Please read through the instructions below to familiarise yourself with the parts and steps before assembly.

Step 1



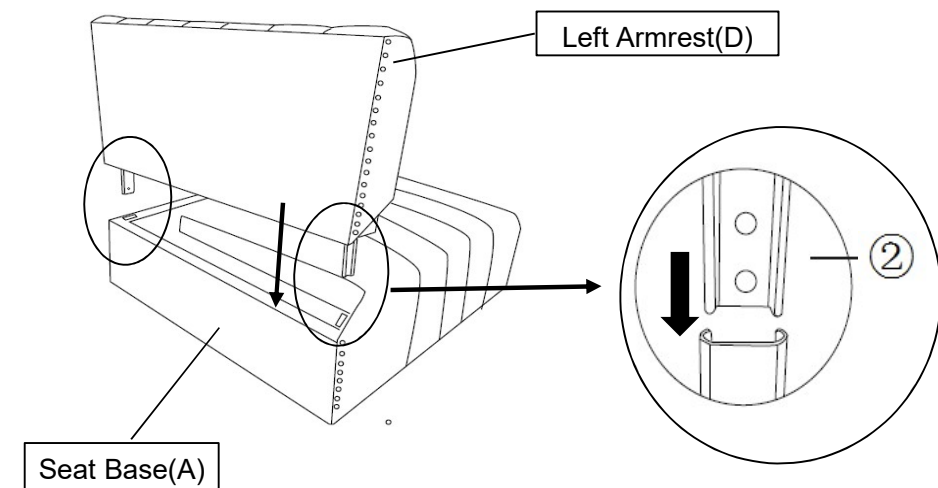
Position the Seat Base(A) on a clean, non-marring surface. Unzipper non-woven Fabric and Remove the Right Armrest(C), Leg(E) and Hardware package as shown above.

Step 2



Position Left Armrest(D) on its back, put Double Head Insert(②) into Left Armrest(D) as shown above.
Repeat the same step to put Double Head Insert(②) into Right Armrest(C).

Step 3



Slide the Double Head Insert(②) on the Left Armrest(D) into the Double Head Insert(②) on the Seat Base(A) as shown in the picture.

Note: Make sure the Double Head Insert(②) on Left Armrest(D) lock into the Double Head Insert(②) on the Seat Base(A).

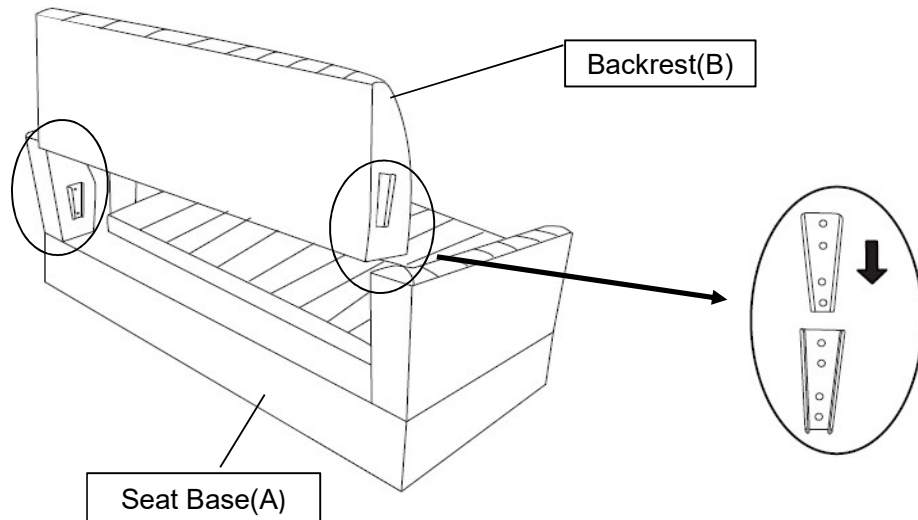
Assistance from an adult partner is necessary for this assembly process.

Repeat the same step to install Right Armrest(C).

During this assembly process - do exercise caution. You may need to use your hand to press down and or pave away the padded surface to facilitate the 'slip and slide' assembly.

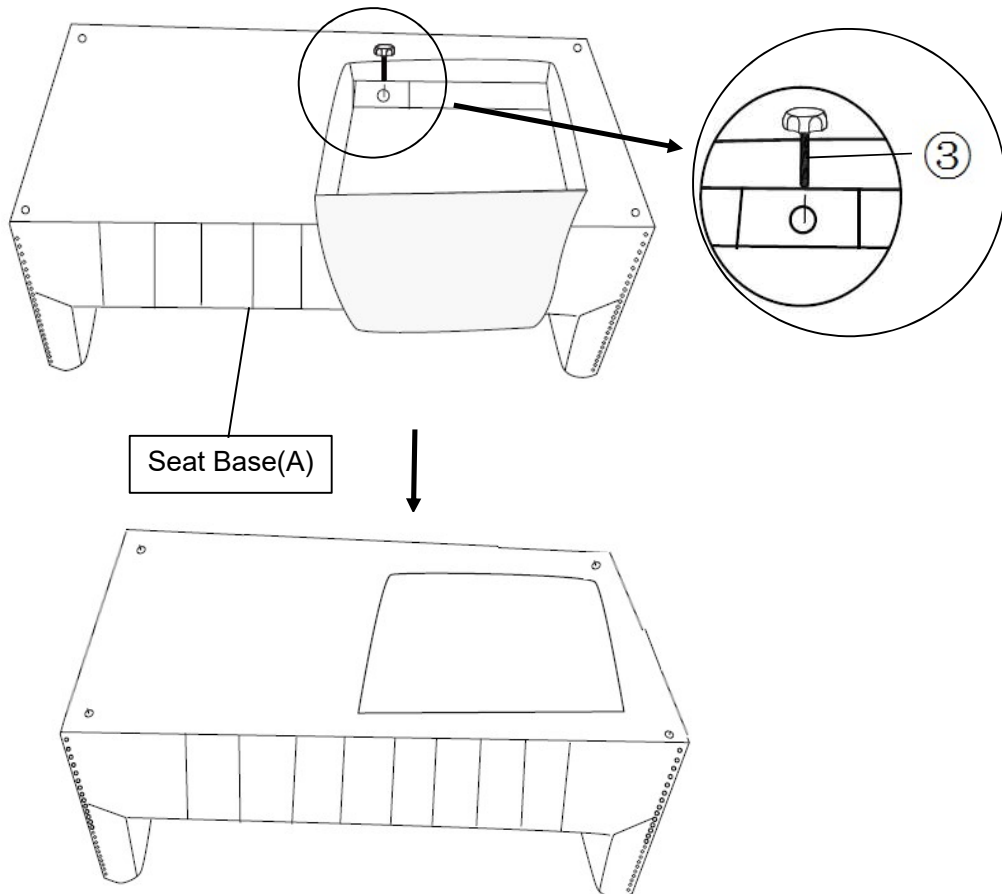
Caution: Ensure that your fingers do not get caught or pinched in the assembly process.

Step 4



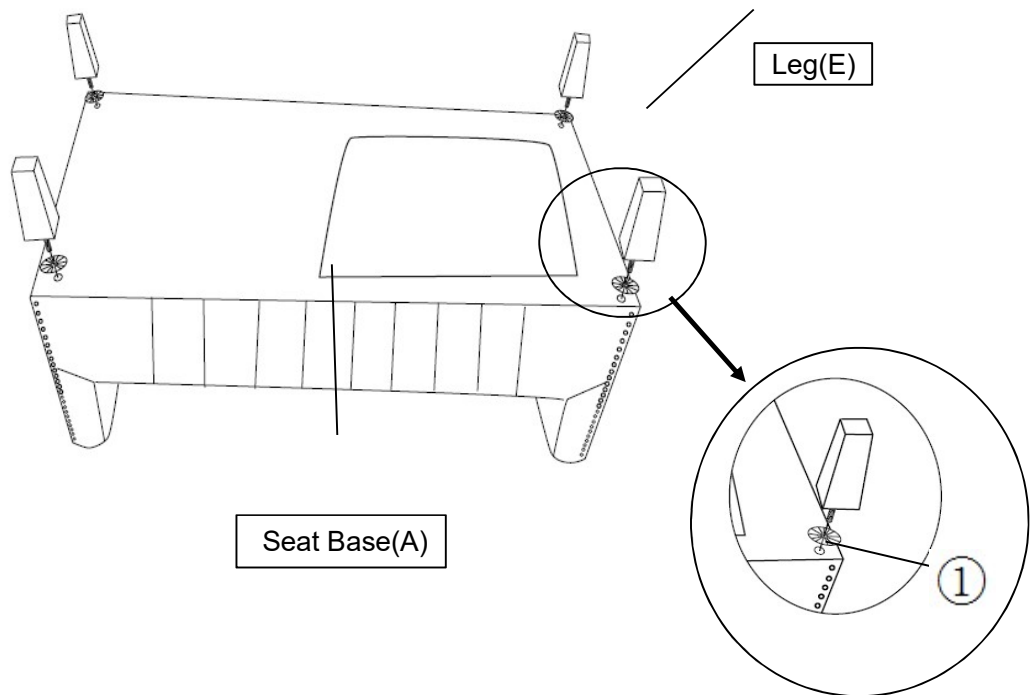
Attach the Backrest(B) to the Seat Base(A) by pushing the Backrest (A) downwards until the Backrest(A) is fully slotted and locked into position with Seat Base(A) as shown above.
Assistance from an adult partner is necessary for this assembly process.

Step 5



Put the Seat Base(A) on its back as shown.
Attach the Backrest(B) to the Seat Base(A) Using Bolt(③) by turning clockwise until tight as shown above.
Then close the non-woven Fabric zipper.

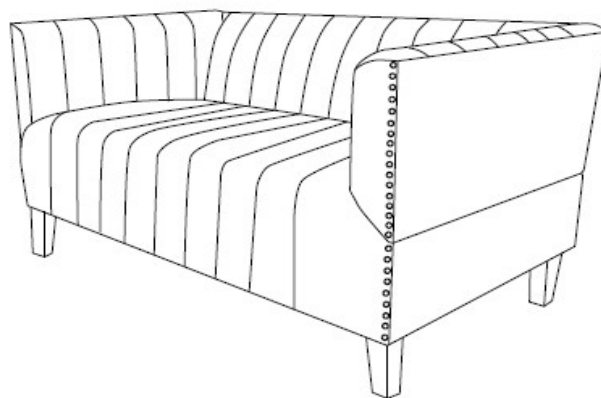
Step 6



Install the Leg(E) onto the bottom of the Seat Base(A) by putting a Plastic Washer(①)(optional but improves security and tightness), onto the threaded stem. Insert the threaded stem into the threaded hole at each corner of the bottom of the Chair Seat(A). Tighten the leg by turning clockwise.

Repeat the same steps to install the remaining 3 legs.











Step 7



Your Loveseat Sofa is ready for use.

Your Loveseat Sofa can only be used on a flat, level surface.

Care & Maintenance

-  Do not put hot items directly on furniture surface
 -  Do not clean furniture with harsh cleansers or polish.
 -  Do not place furniture under direct sunlight.
 -  Do not place furniture near heating or cooling vents.
 -  Do not write on furniture without a padded barrier to protect the surface.
 -  Do not place furniture outside . For indoor use only .
 -  Not for commercial use. For residential use only .
 -  Stains may be removed with mild soap solution and damp cloth.
 -  Children should not climb or jump on the furniture.
-
-  Dust and pick-up spills using a clean, non-colored, lint-free cloth .