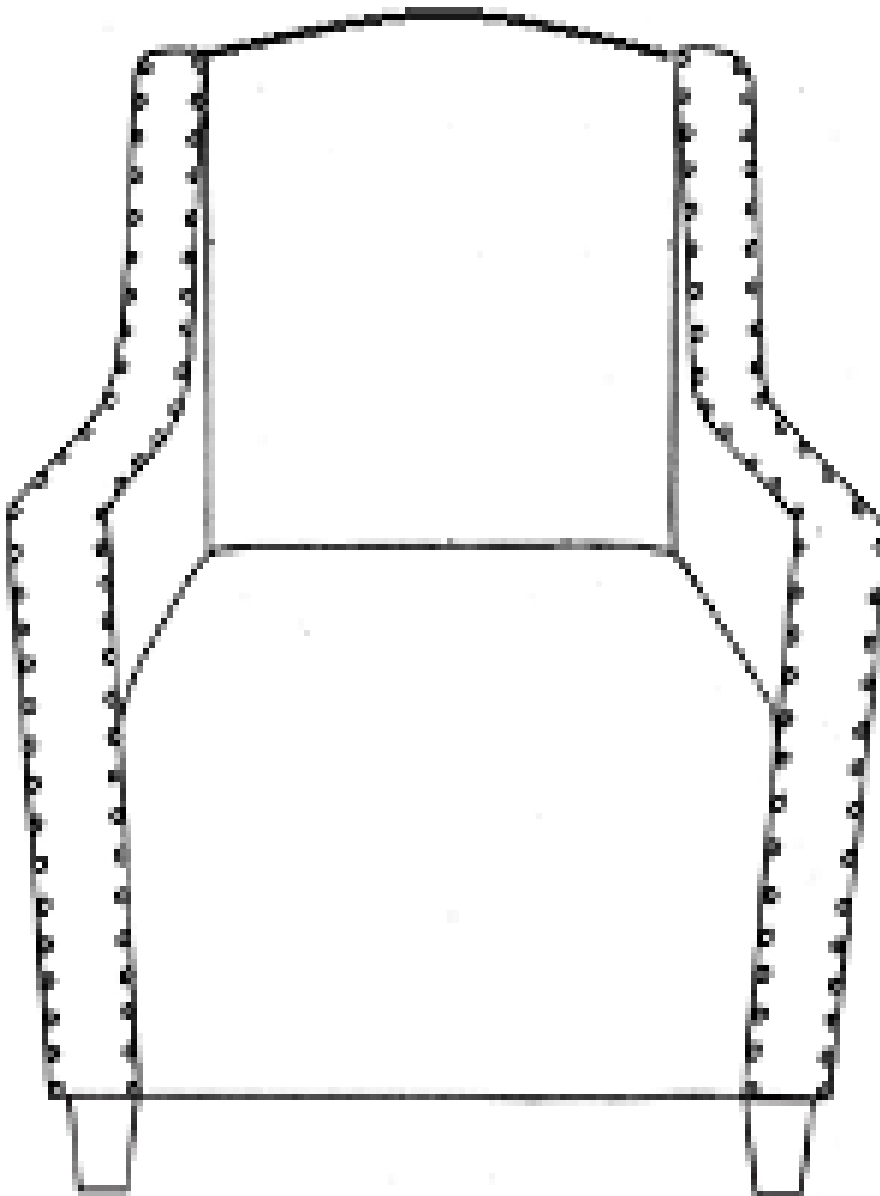


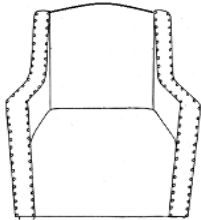

Assembly Instructions

Caution : You must read this before you proceed


Club Chair




Parts List

Label	Picture	Description	QTY
A		Chair	1
B		Wooden leg	4

Hardware

Label	Picture	Description	QTY
①		Washer Rings	7

Assembly Preparation

<p>Before Beginning Assembly:</p>	
-----------------------------------	--



- Read instructions, cover to cover-



- Have 2 adults on hand for assembly-



- Do not assemble on flooring or carpet-



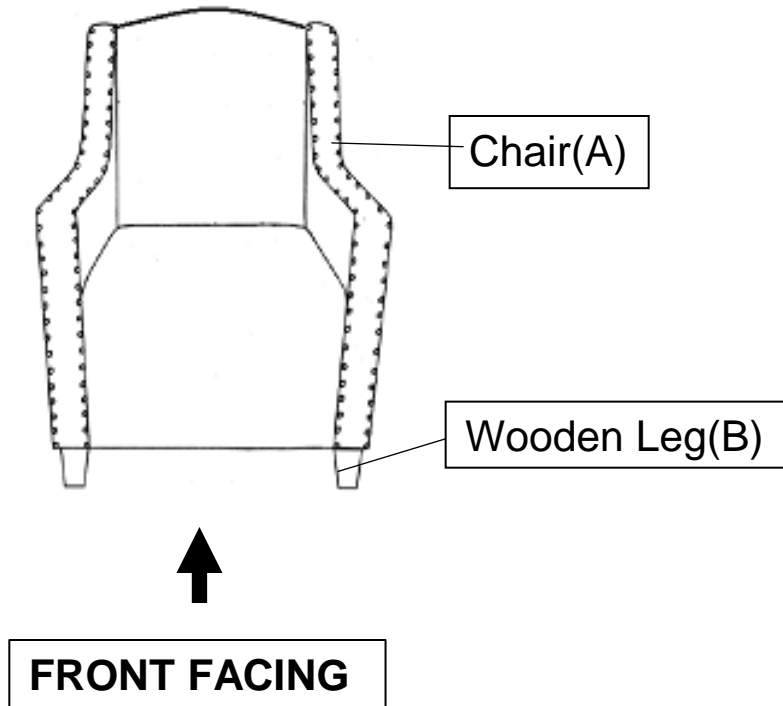
- Assemble on a clean non-marring surface (packing foam)-



- Save all packaging until finished-

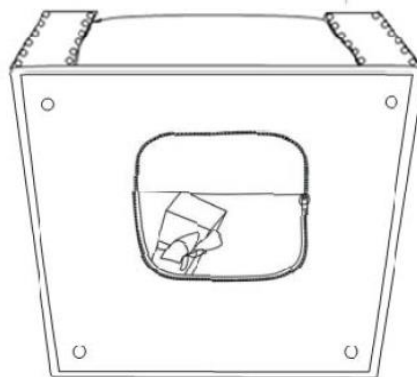
Assembly Steps

Overview



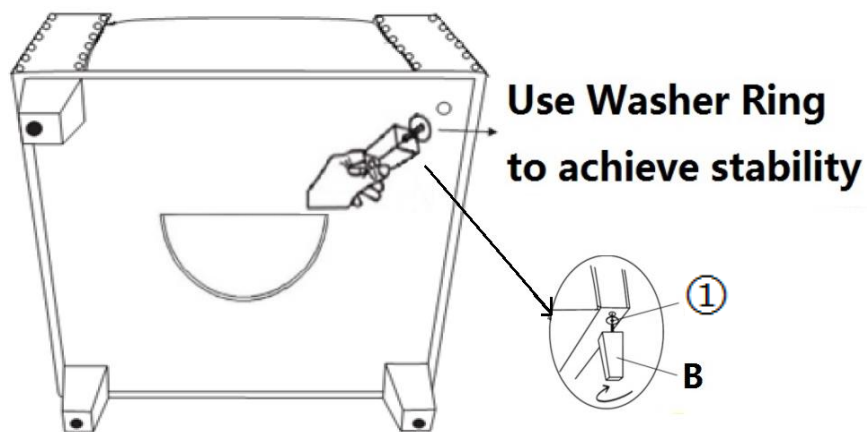
This Club Chair has multiple parts and may require up to some 30 minutes to assemble. To give you an overview of the Club Chair parts, the above picture is to help you put the various parts into perspective. Please read through the instructions below to familiarise yourself with the parts and steps before assembly.

Step 1



Position the chair on its back, as shown.
DO NOT place on surface that will harm or damage the upholstery.
Unzip to open and remove the 4 wooden legs and washer rings.
Close the pocket .

Step 2



Install Leg into the Chair by putting a Washer Ring (①) on the threaded stem.

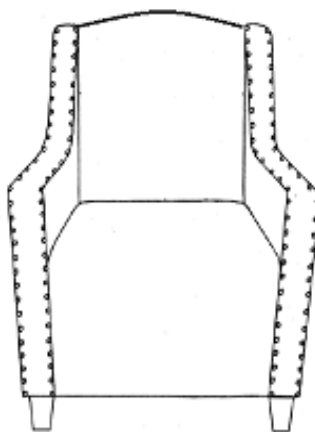
Then insert the threaded Stem into the mounting position in the base of the Chair(A).

Tighten by turning Leg clockwise.

Repeat the same steps to install the remaining three Legs(B).

Note: The use of Gaskets are OPTIONAL and are especially useful to help alleviate slight wobbleness. Some Legs may need more than one gasket whilst some legs may not need any.

Step 3



Make sure all parts are connected and locked into position.

Stand the chair right side up.

Your chair is ready for use now.

Caution: This Chair can only be used on a flat, level surface.

Care & Maintenance



- Furniture may scratch floors. We recommend using furniture pads to protect your floors.



- Do not put hot items directly on furniture surface.



- Do not clean furniture with harsh cleansers or polish.



- Do not place furniture under direct sunlight.



- Do not place furniture near heating or cooling vents.



- Do not write on furniture without a padded barrier to protect the surface.



- Do not place furniture outside . For indoor use only.



- Not for commercial use. For residential use only.



- Stains may be removed with mild soap solution and damp cloth.



- Children should not climb or jump on the furniture.



- Dust and pick-up spills using a clean, non-colored, lint-free cloth.