

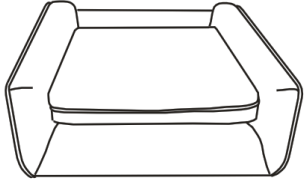
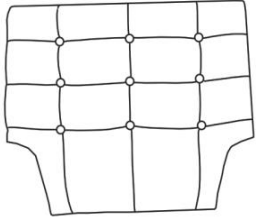

Assembly Instructions

Caution : You must read this before you proceed


Club Chair



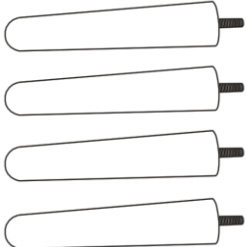
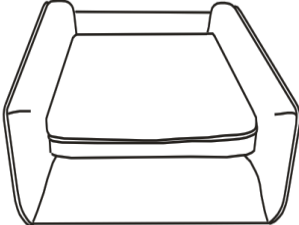
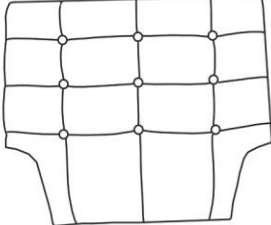
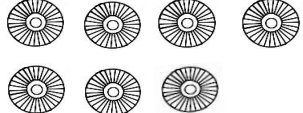
Parts List

Label	Picture	Description	QTY
A		Chair Seat	1
B		Chair Back	1
C		Wooden Leg	4

Hardware

Label	Picture	Description	QTY
①		Gasket	7

Assembly Preparation

<p>Before Beginning Assembly:</p>	  
	



- Read instructions, cover to cover-



- Have 2 adults on hand for assembly-



- Do not assemble on flooring or carpet-



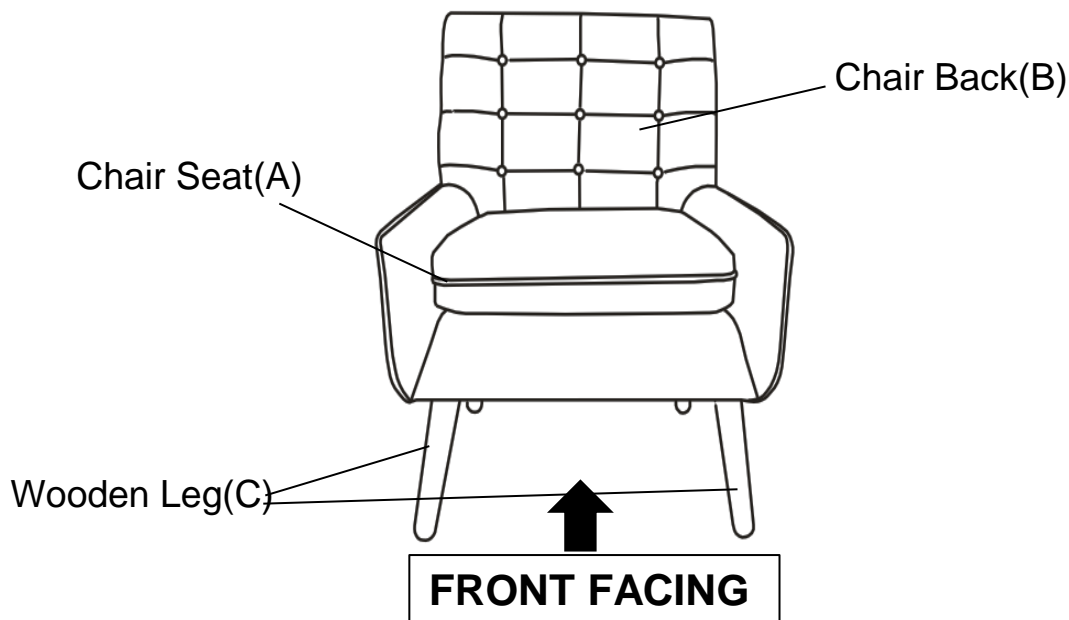
- Assemble on a clean non-marring surface (packing foam)-



- Save all packaging until finished-

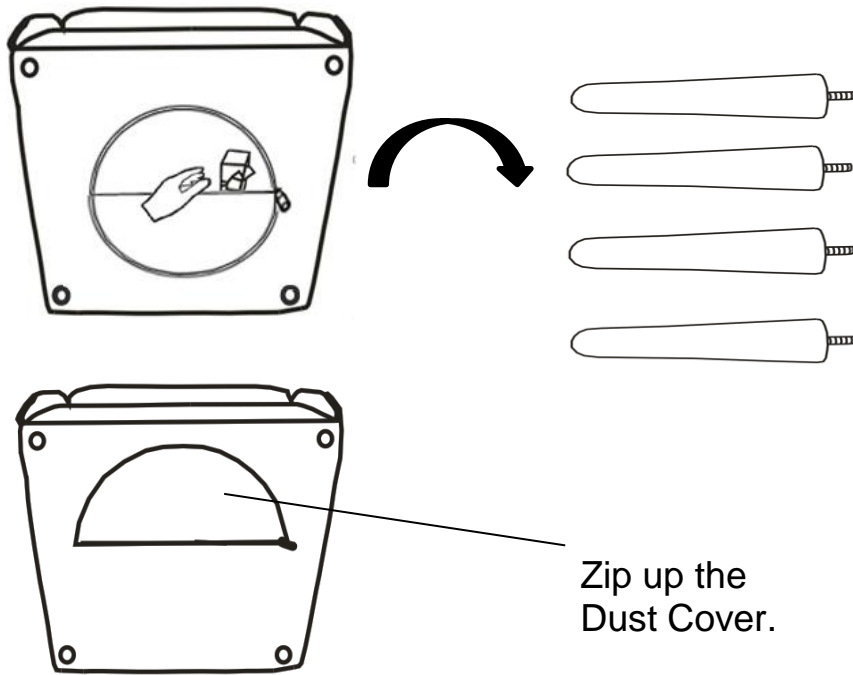
Assembly Steps

Overview



This Club Chair has multiple parts and may require up to 30 minutes to assemble. To give you an overview of the Club Chair parts, the above picture is to help you put the various parts into perspective. Please read through the instructions below to familiarise yourself with the parts and steps before assembly.

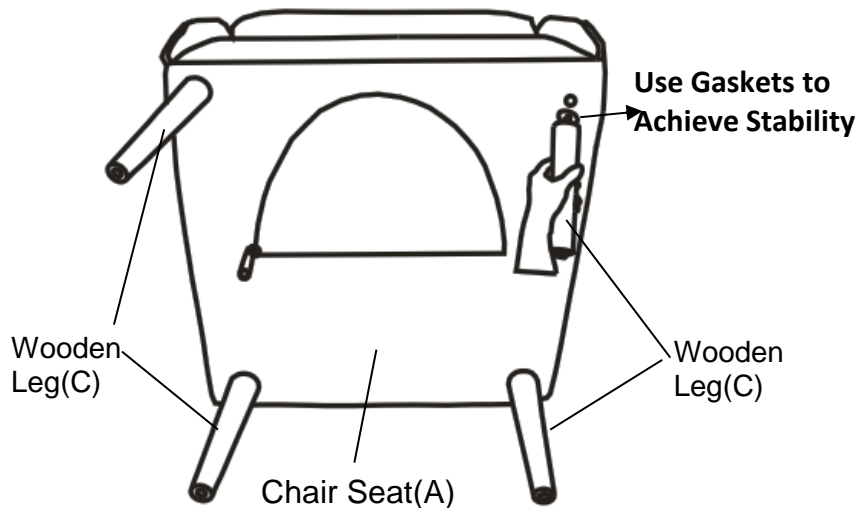
Step 1



Place the Chair Seat(A) on a clean, non-marring surface with the bottom facing you, as shown in the picture above.
Carefully unzip the Dust Cover at the bottom, and remove the Legs.
Zip up the Dust Cover.

Assembly Steps

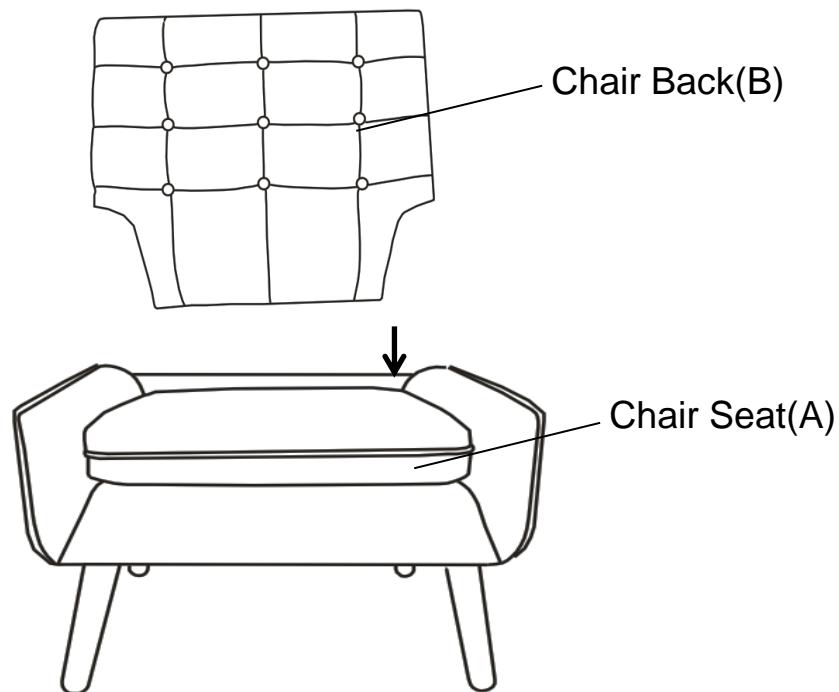
Step 2

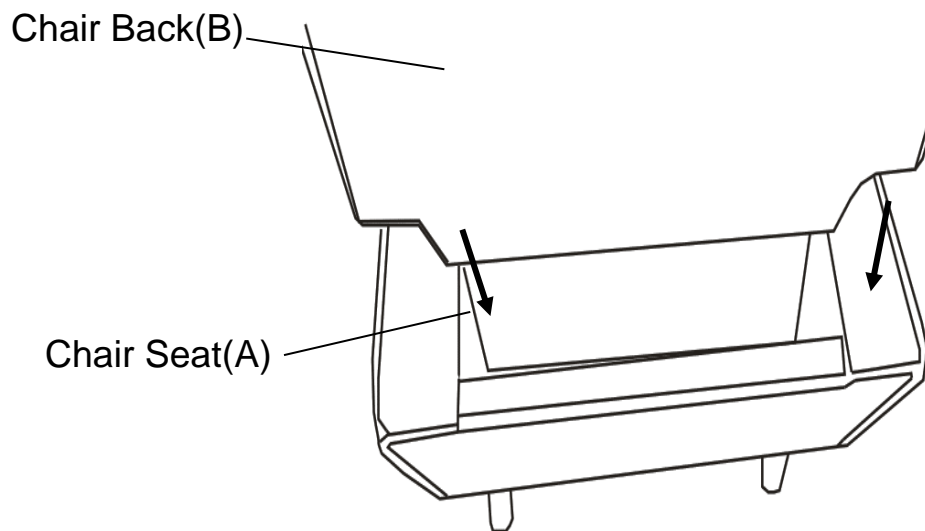


Install **one of the** Wooden Leg(C) into the Chair Seat(A) by putting a Gasket(①) on the threaded stem of the Leg.
Then insert the threaded stem of the Wooden Leg(C) into the Top Corner mounting postions of the bottom of the Chair Seat(A).
Affix the Leg by turning it clockwise by hand until secure.
Repeat this process with the remaining three Wooden Legs(C).

Note: The use of the Gaskets are OPTIONAL and are especially useful to help alleviate slight wobbles. Some Legs may need more than one whilst some Legs may not need any.

Step 3





view from the back

Stand the Chair up.

With assistance from an adult partner, lift the Chair Back(B) up.

Align the protruding part on the Chair Back(B) with the groove joint on the Chair Seat(A).

Then push the Chair Back(B) downwards until it is fully slotted and locked into position.

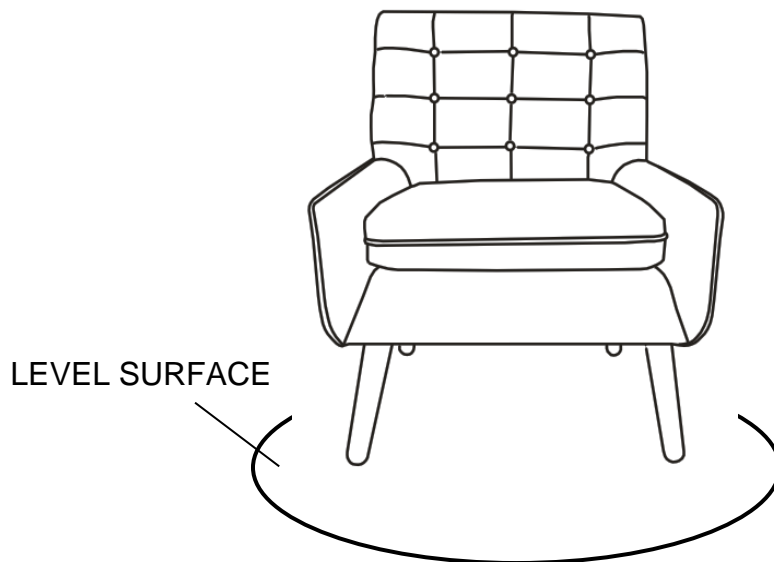
Both sides of Chair Back(B) must be slid into position at the SAME TIME until it fully locks in its housing.

Note: Ensure the protruding part on Chair Back(B) locks into the groove joint on Chair Seat(A).

Then push the Chair Back(B) backward, to make sure there is no gap between the Chair Seat(A) and Chair Back(B).

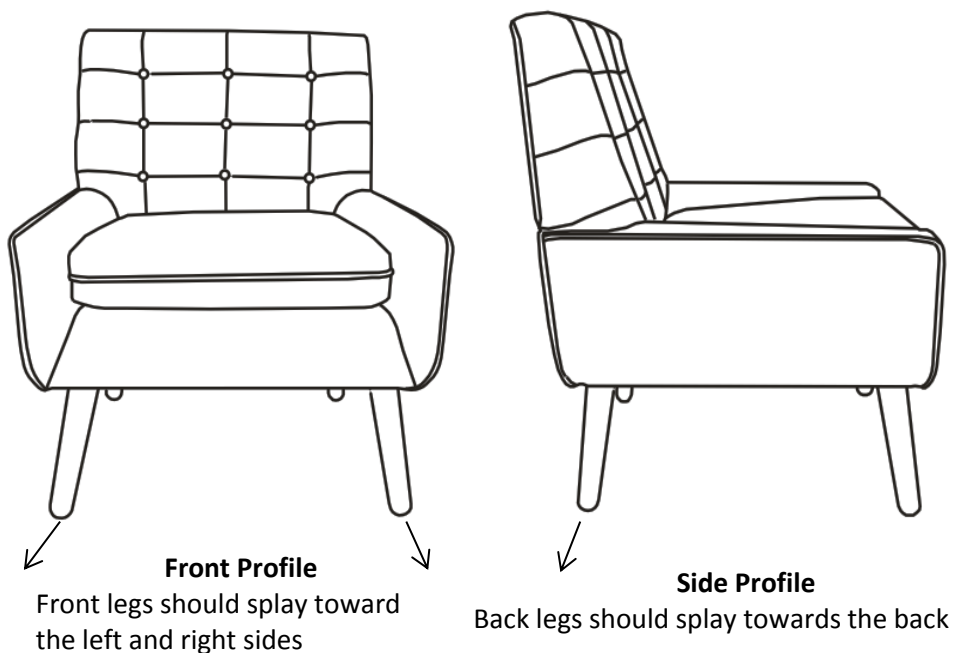
Assistance from an adult partner is needed during this process.

Step 4



Position the Chair right side up and test for stability.
Add or remove Gaskets(①) where needed to achieve stability.

Step 5























Make sure all the parts are connected and securely locked into position and Legs are in the correct positions.
After completion of the assembly, the Left Front Leg shall be splayed towards to the Left and the Right Front Leg to the right.
The Back Legs should splay outwards and towards the back.
If the Legs do not point in an outward direction, Gaskets can be added or removed to achieve the necessary angle.

Your Club Chair is ready for use.

This Club Chair can only be used on a flat, level surface.

Care & Maintenance

-   Do not put hot items directly on furniture surface
 -   Do not clean furniture with harsh cleansers or polish.
 -   Do not place furniture under direct sunlight.
 -   Do not place furniture near heating or cooling vents.
 -   Do not write on furniture without a padded barrier to protect the surface.
 -   Do not place furniture outside . For indoor use only .
 -   Not for commercial use. For residential use only .
 -   Stains may be removed with mild soap solution and damp cloth.
 -   Children should not climb or jump on the furniture.
-
-   Dust and pick-up spills using a clean, non-colored, lint-free cloth .

What is Proposition 65?

Proposition 65 is a California law that requires warning labels on products that may contain one of more than 800-plus chemicals or ingredients that the California Office of Environmental Health Hazard Assessment (OEHHA) has deemed to cause cancer or other reproductive toxicity. Chemicals and elements on this list include wood dust, brass, and other everyday substances, which can be found in very common household items, such as: lamps, tableware, jewelry, crystal glasses, electric cords, beauty products, automobiles, and furniture.

Why Did I Find a Proposition 65 Warning on My Home Goods Product?

We include Proposition 65 warnings on all of our products because there is always a chance that one of the 800-plus common chemicals and ingredients listed under this law could potentially be on our furniture or packing materials. We risk large fines under this law, if we don't include this warning.

Should I worry?

We realize you may be worried finding this warning on our products, but we want to reassure you that the hazardous exposure limits for any of these chemicals have never been found on furniture products that we've shipped to our customers. Additionally, this warning label is very common and can be found on almost every piece of furniture sold in the state of California.

Just How Common Are Proposition 65 Warnings?

Proposition 65 warnings have become so common in California that it is hard to take a trip to a local bank, grocery store, or restaurant without finding at least one warning. In fact, even the Disney Land Resort has a Proposition 65 warning:

