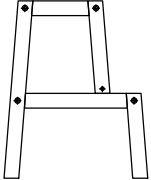
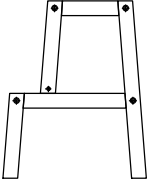
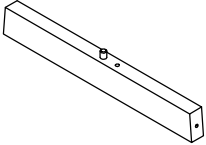
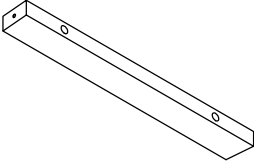
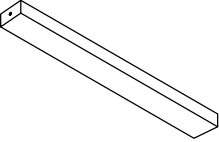
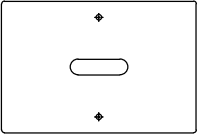

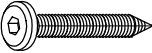




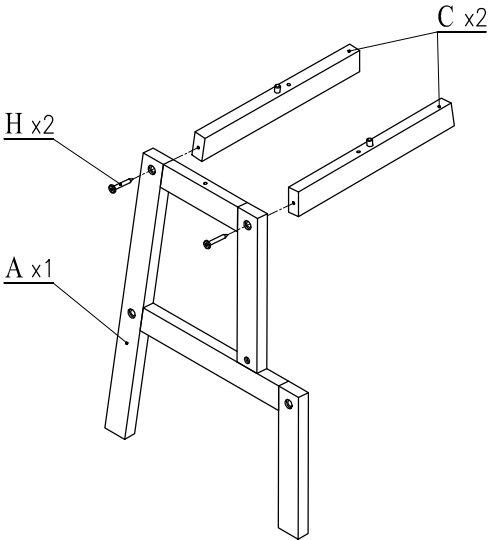
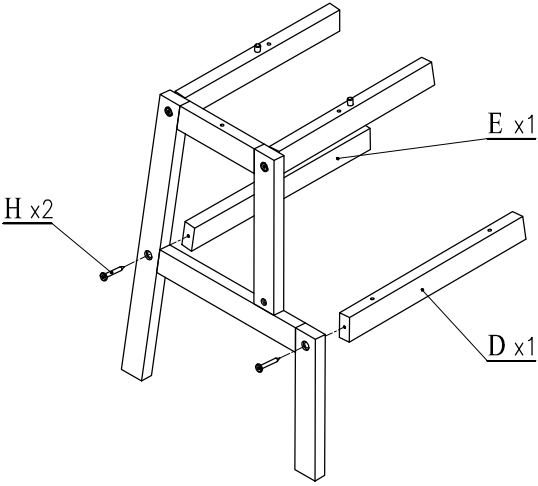
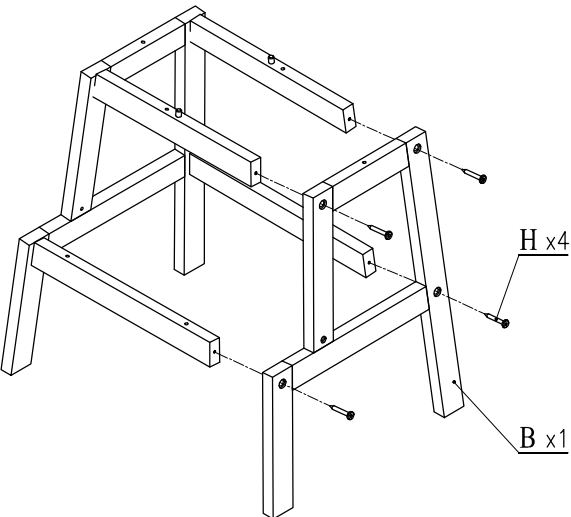
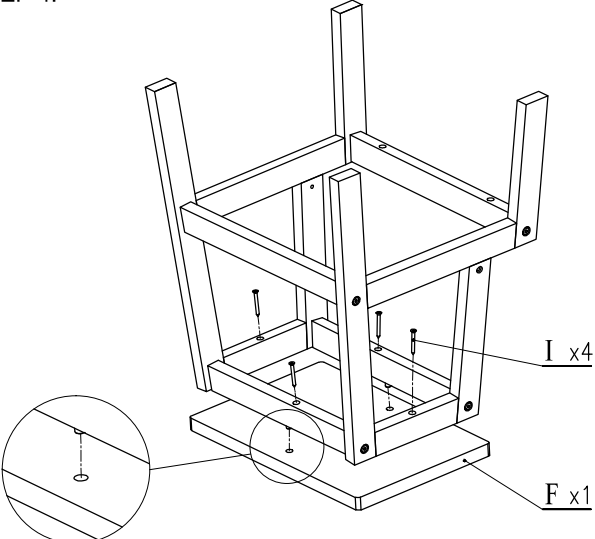
I - PARTS AND HARDWARE:

BF01007-NA (REV-1)

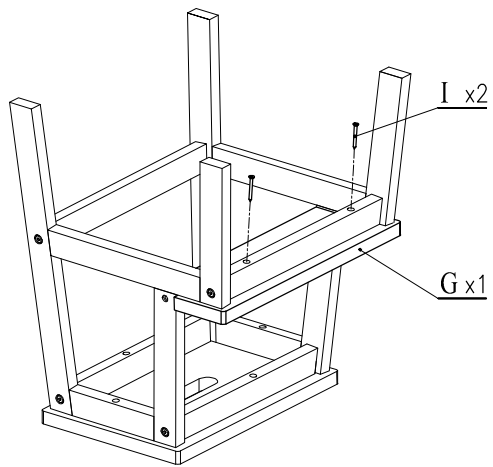
<p>A - 1 pc</p>  <p>Left leg</p>	<p>B - 1 pc</p>  <p>Right leg</p>	<p>C - 2 pcs</p>  <p>Supporting Bar 1</p>	<p>D - 1 pc</p>  <p>Supporting Bar 2</p>
<p>E - 1 pc</p>  <p>Supporting Bar 3</p>	<p>F - 1 pc</p>  <p>Top 1</p>	<p>G - 1 pc</p>  <p>Top 2</p>	<p>H - 08 pcs</p>  <p>Screw M6x40</p>
<p>I - 08 pcs</p>  <p>Screw M4x40</p>	<p>L - 01 pc</p>  <p>Allen key 4</p>		

II - PRODUCT ASSEMBLY.

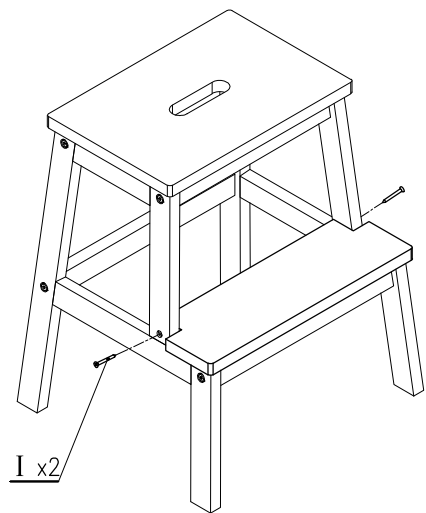
**"DO NOT tighten the screws until all of parts set into correct position"**

<p>STEP 1:</p> 	<p>STEP 2:</p> 
<p>STEP 3:</p> 	<p>STEP 4:</p> 

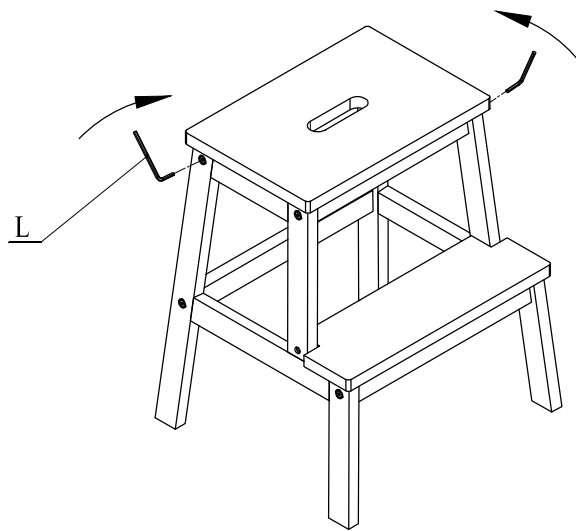
STEP 5:



STEP 6:



STEP 7: Tighten the screws



FINISH

