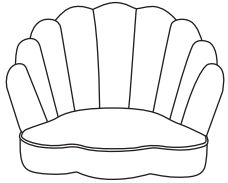


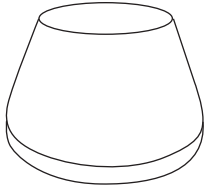
ASSEMBLY INSTRUCTION

HFSN-679

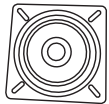
Ax1



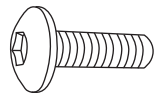
Bx1



Cx1

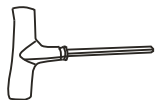


Dx8

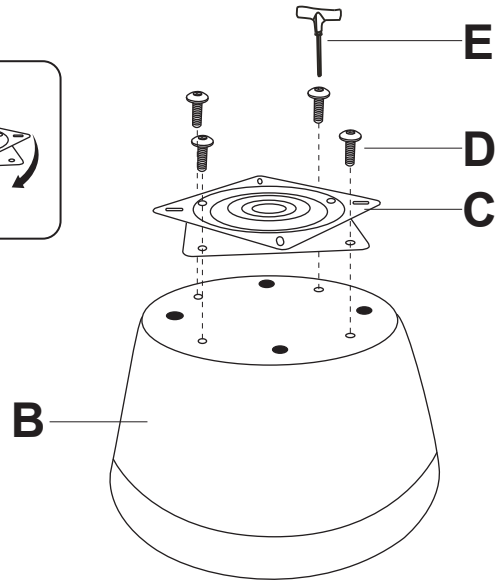
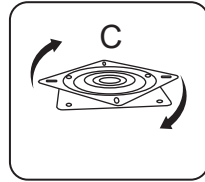


M6×25mm

Ex1

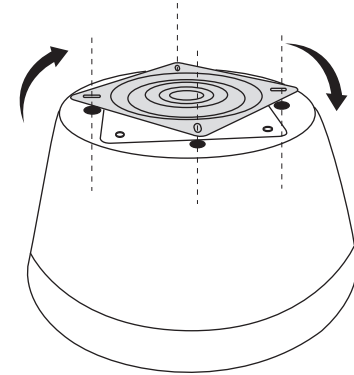


①

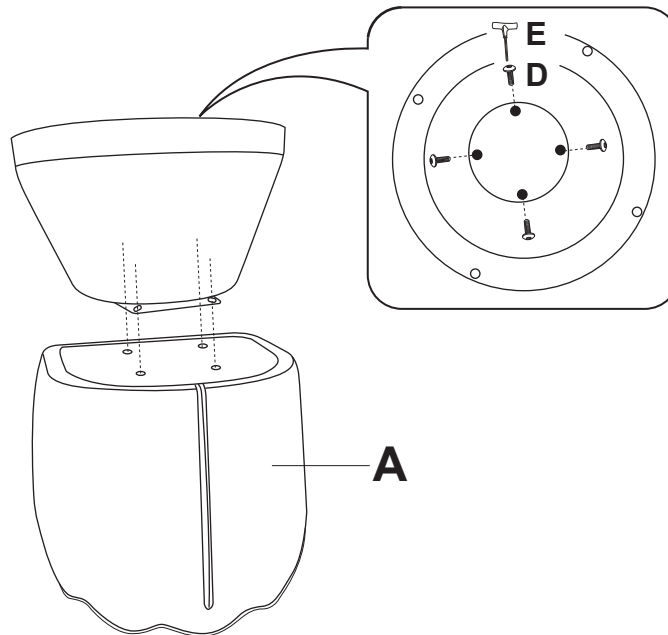


②

Rotate the tray so that the tray holes line up with the holes in the base.



③



④

