

ASSEMBLY INSTRUCTION

A*1



B*1



C*1



D*1



E*1



M6*20

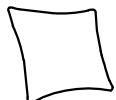
F*1



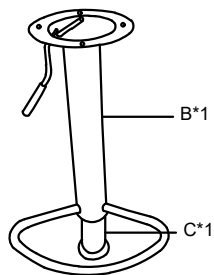
G*1



H*1

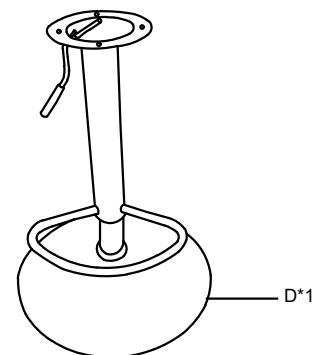


①



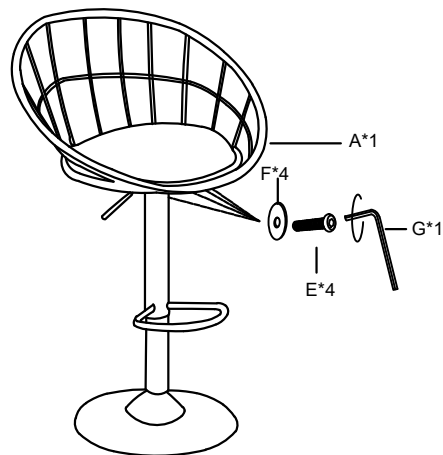
Don't tighten the screws yet.

②



Tighten all the screws.

③



④

