

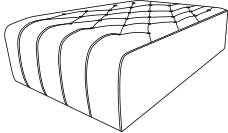
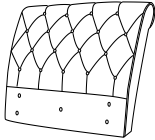


Assembly Instructions

Caution :You must read this before you proceed

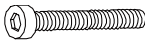



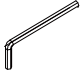
Chaise



Parts List

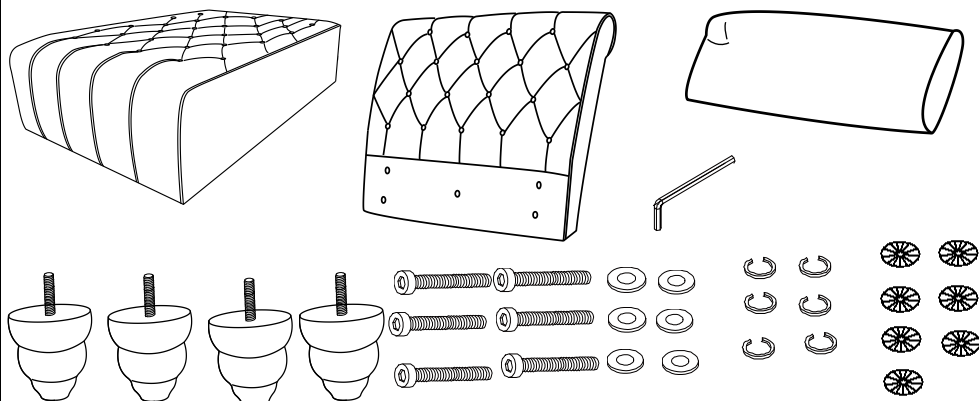
Label	Picture	Description	QTY
A		Chaise Seat	1
B		Chaise Back	1
C		Leg	4
D		Pillow	1






Hardware

Label	Picture	Description	QTY
①		Bolt (M8*60MM)	6
②		Spring Washer	6
③		Flat Washer	6
④		Washer Rings	7
⑤		Allen Wrench	1

Assembly Preparation

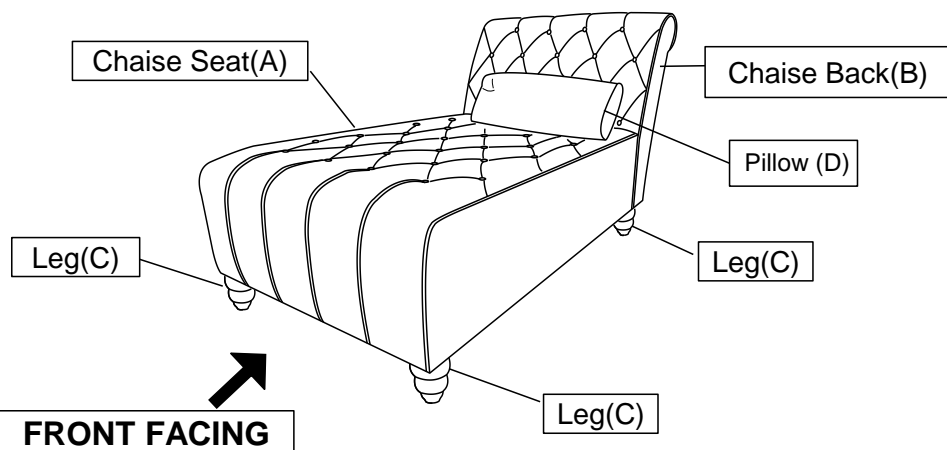
Before Beginning Assembly:



-  • Read instructions, cover to cover-
-  • Have 2 adults on hand for assembly-
-  • Do not assemble on flooring or carpet-
-  • Assemble on a clean non-marring surface (packing foam)-
-  • Save all packaging until finished-

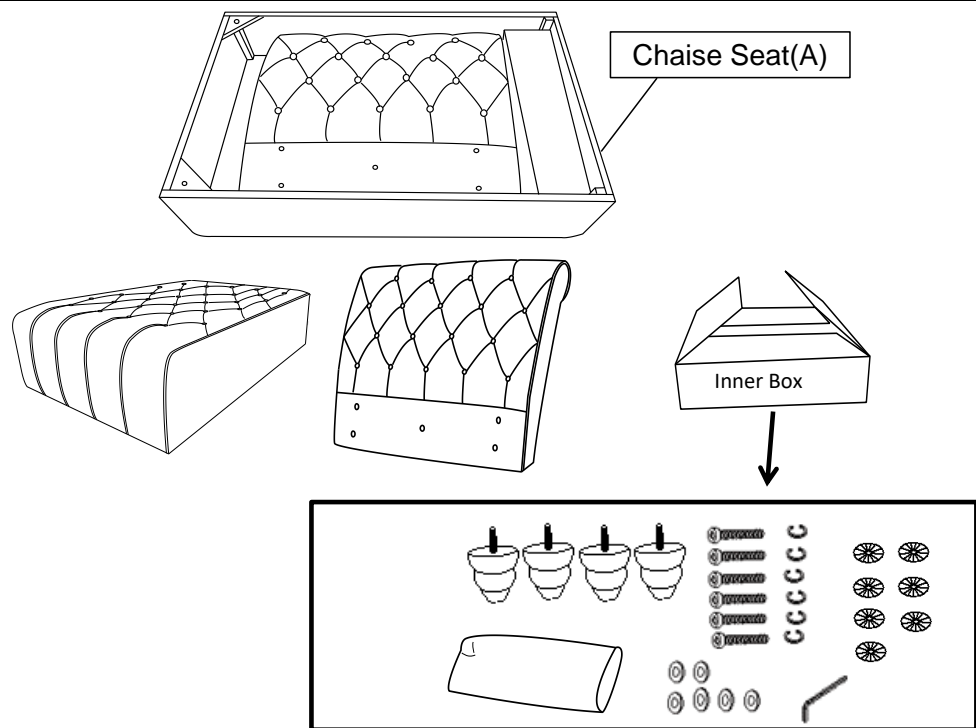
Assembly Steps

OVERVIEW



This Chaise has multiple parts and may require up to 30 minutes to assemble. To give you an overview of the Chaise parts, the above picture is to help you put the various Chaise parts into perspective. Please read through the instructions to familiarise yourself with the parts and steps before assembly.

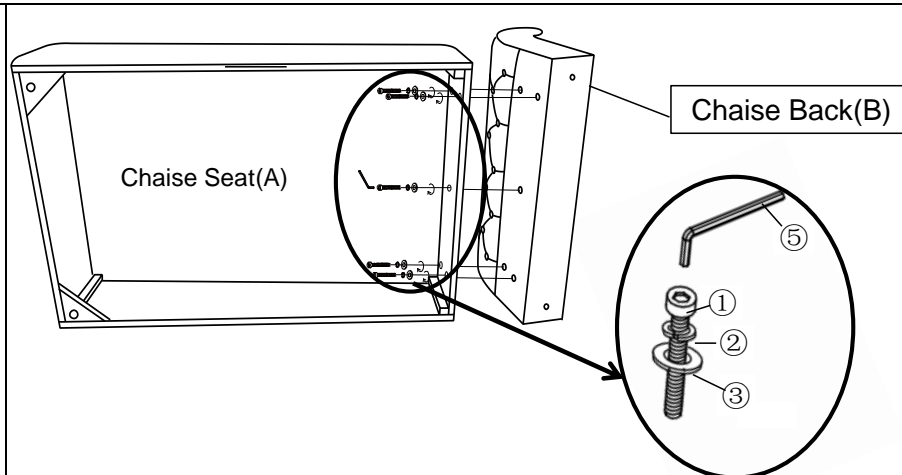
Step 1



Position the Chaise Seat(A) facedown on a clean, non-marring surface. Unzip the pouches and remove the Chaise Back(B), Legs(C), Pillow(D) and Hardware(①,②,③,④,⑤) from the inner box .

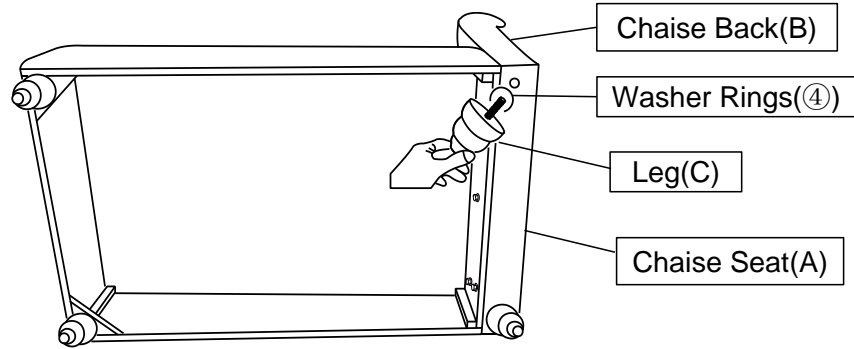
CAUTION: The Chaise and it's parts are large and heavy, always have two or more adults assist you when moving and or lifting these.

Step 2



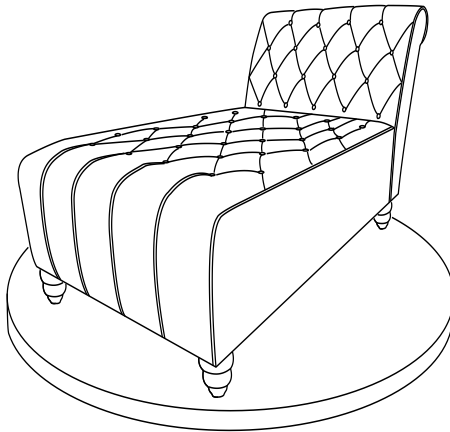
Install the Chaise Back(B) into the bottom of the Chaise Seat(A) by Bolt(①), Spring Washer(②), Flat Washer(③), Washer Rings(④) with the Allen Wrench(⑤) to fasten all 5 bolts, as shown.

Step 3



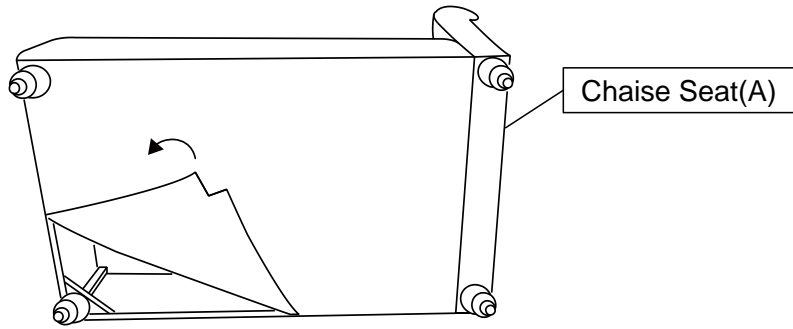
Install the Leg (C) onto the Chaise Seat(A) and Chaise Back(B) by placing a Washer Ring(④) onto the stem. Insert the threaded stem into the threaded hole at each corner of the bottom of the Chaise Seat(A) and Chaise Back(B). Tighten the Leg by turning clockwise, as shown. Repeat the same steps to install the remaining 3 legs.

Step 4



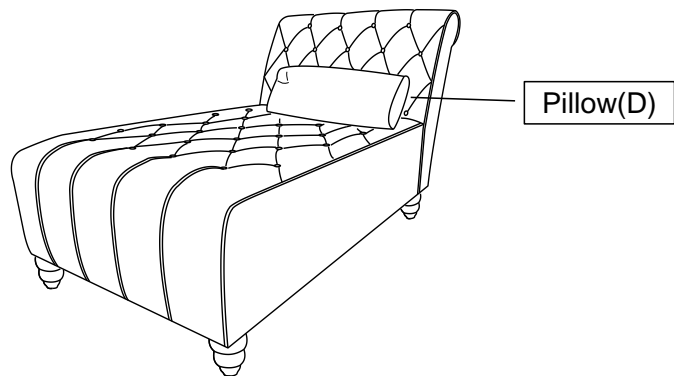
Add or remove Spring Washers where needed to achieve stability.
Note: The use of Washer Ring(④) are **OPTIONAL** and is especially useful to help alleviate slight wobbleness. Some Legs may need more than one Washer Ring(④) whilst some Legs may not need any.

Step 5



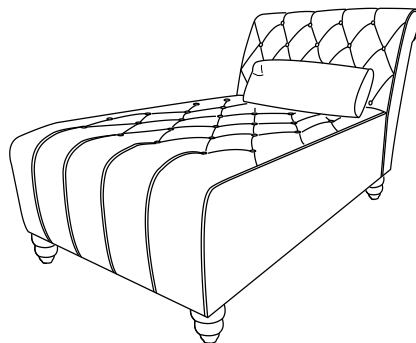
Close the non-woven fabric by sealing the magic tape on the underside of the Chaise seat(A).

Step 6



Put the Pillow(D) on the Chaise.

Step 7



Your Chaise is ready for use.

Note :This Chaise can only be used on a flat, level surface.

Care & Maintenance



- Furniture may scratch floors. We recommend using furniture pads to protect your floors.



- Do not put hot items directly on furniture surface.



- Do not clean furniture with harsh cleansers or polish.



- Do not place furniture under direct sunlight.



- Do not place furniture near heating or cooling vents.



- Do not write on furniture without a padded barrier to protect the surface.



- Do not place furniture outside . For indoor use only.



- Not for commercial use. For residential use only.



- Stains may be removed with mild soap solution and damp cloth.



- Children should not climb or jump on the furniture.



- Dust and pick-up spills using a clean, non-colored, lint-free cloth.