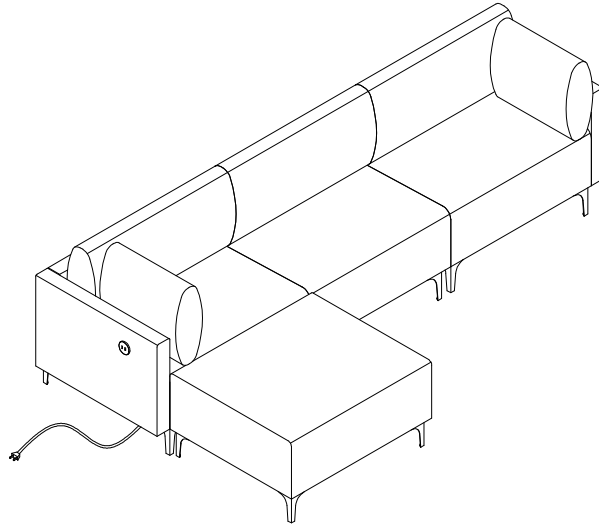
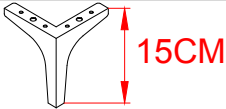
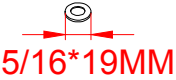

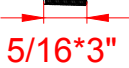






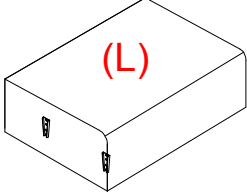
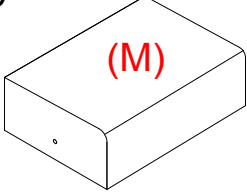
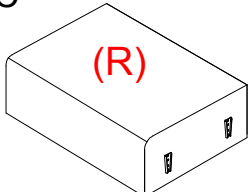
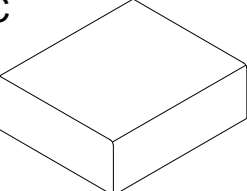
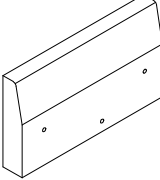
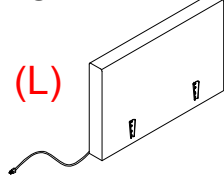
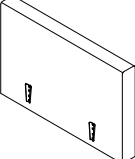
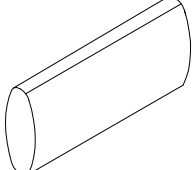
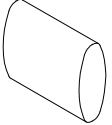


① ASSEMBLY INSTRUCTION

MODEL NO.HC5298

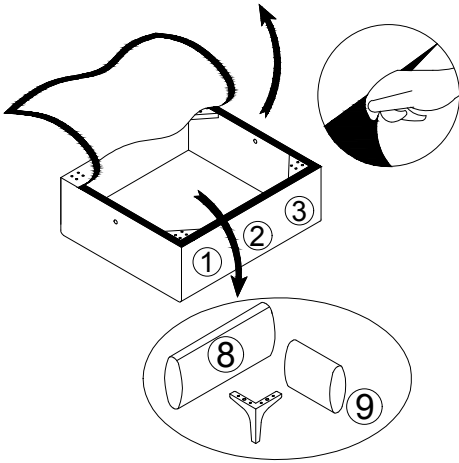


Components/QTY	Components/QTY	Components/QTY
A 16PCS 	B 32PCS 	C 32PCS 
D 9PCS 	E 9PCS 	F 9PCS 
G 1PC 	H 1PC 	I 2PCS 
J 2PCS 		
① 1PC 	② 1PC 	③ 1PC 
④ 1PC 	⑤ 3PCS 	⑥ 1PC 
⑦ 1PC 	⑧ 3PCS 	⑨ 2PCS 

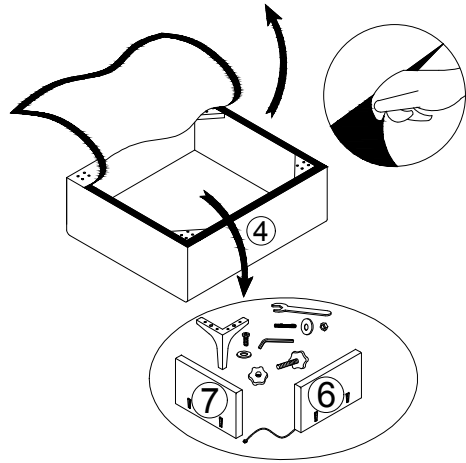
② ASSEMBLY INSTRUCTION

MODEL NO.HC5298

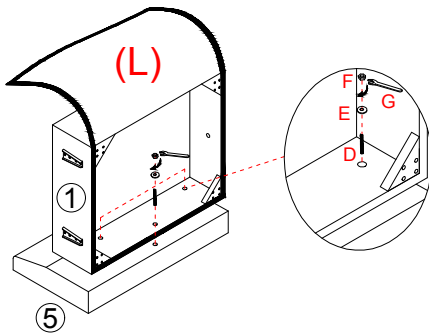
STEP 1



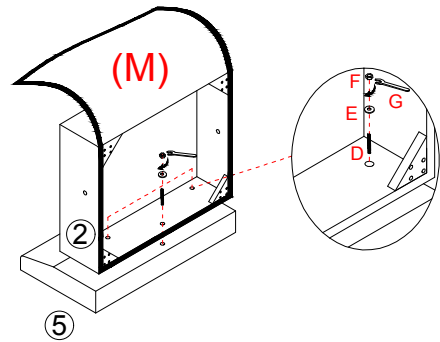
STEP 2



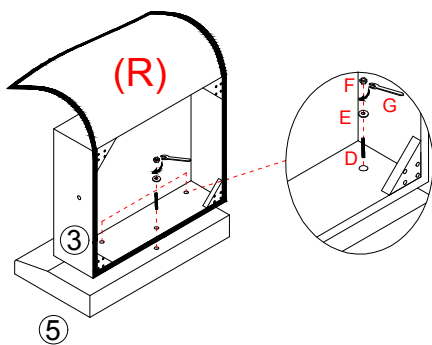
STEP 3



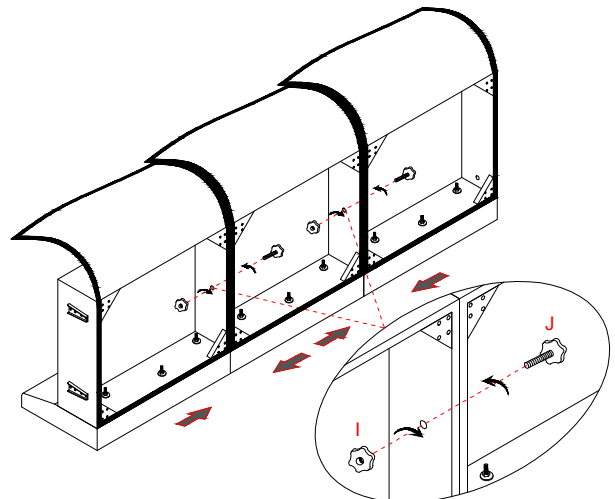
STEP 4



STEP 5



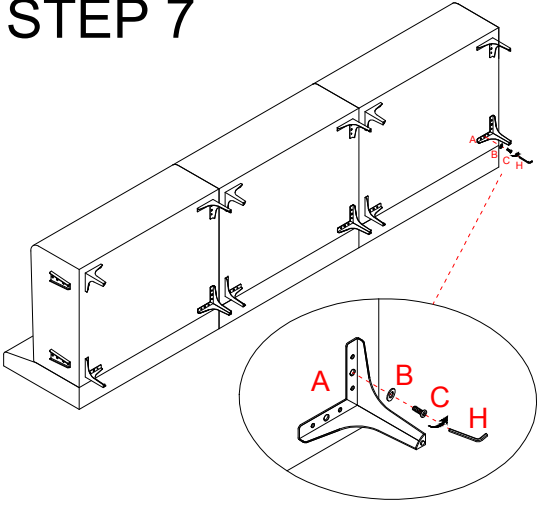
STEP 6



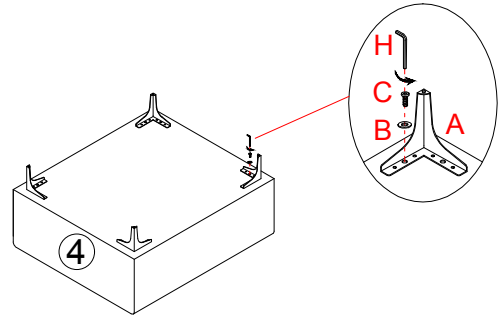
③ ASSEMBLY INSTRUCTION

MODEL NO.HC5298

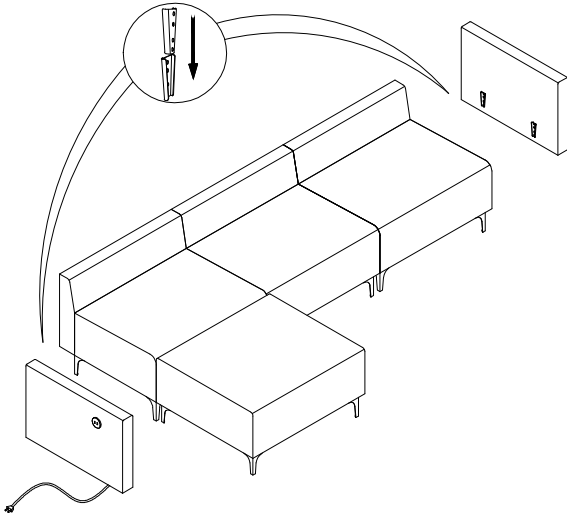
STEP 7



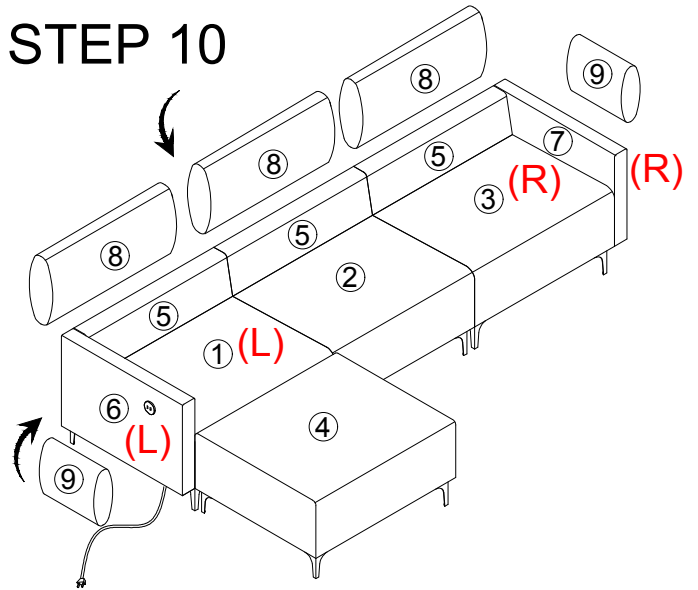
STEP 8



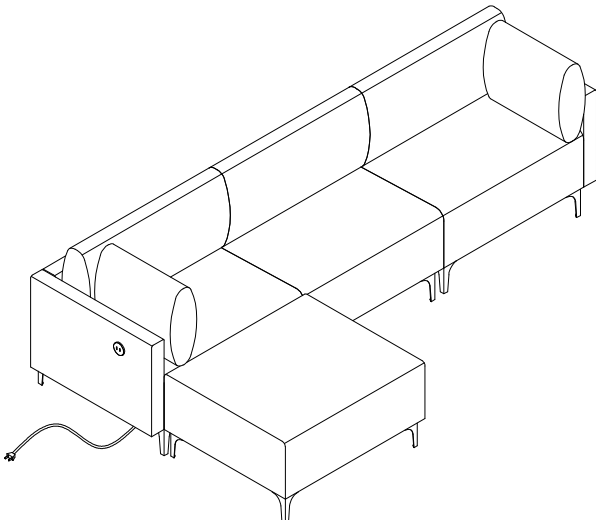
STEP 9



STEP 10



STEP 11



STEP 12

