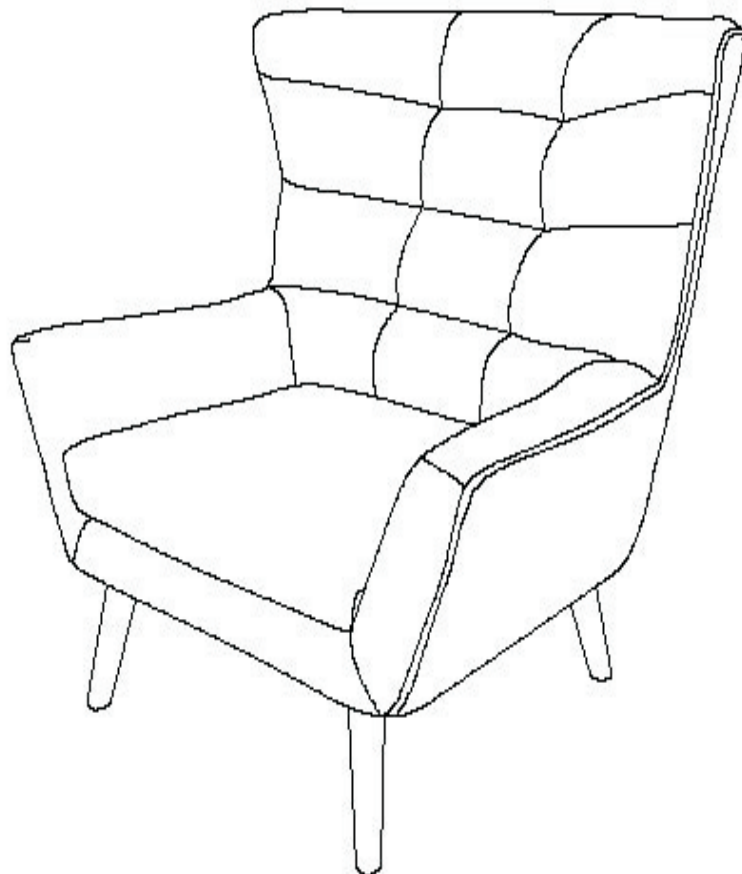


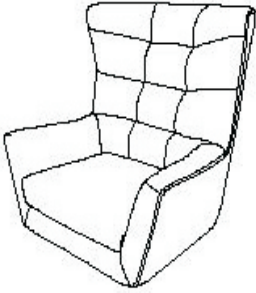
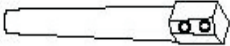
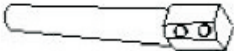
# Assembly Instructions

**Caution : You must read this before you proceed**




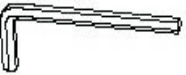
## Club Chair



## Parts List

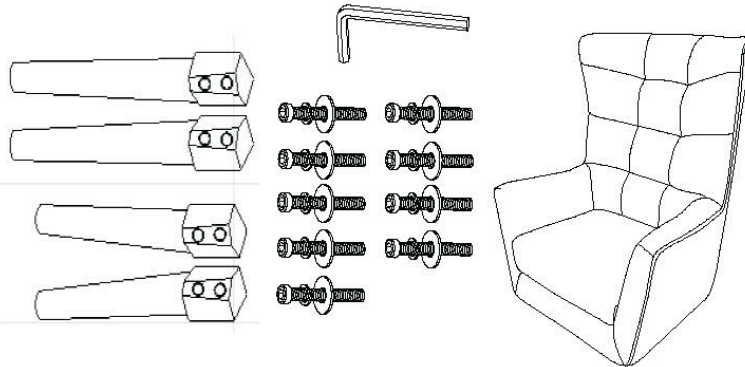
Label	Picture	Description	QTY
A		Chair	1
B		Front Leg	2
C		Back Leg	2

## Hardware

Label	Picture	Description	QTY
①		Bolt (M8*60MM)	9
②		Spring Washer	9
③		Washer	9
④		Allen Key	1

## Assembly Preparation

Before Beginning Assembly:



• Read instructions, cover to cover-



• Have 2 adults on hand for assembly-



• Do not assemble on flooring or carpet-

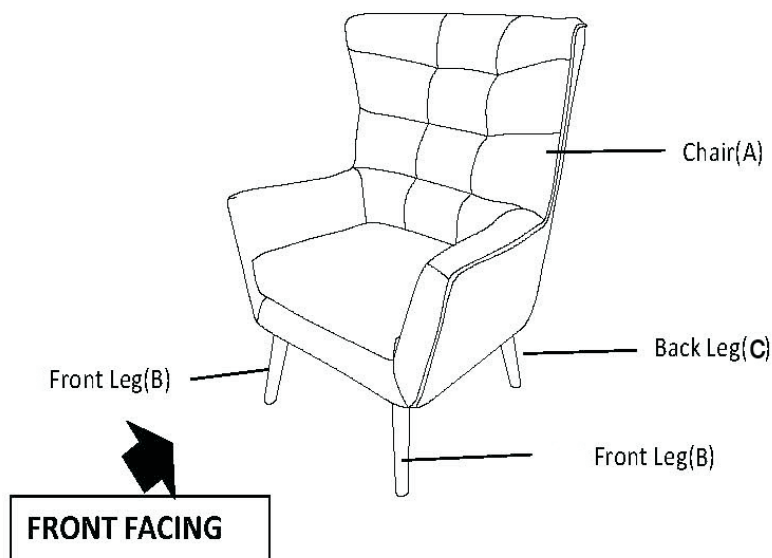


• Assemble on a clean non-marring surface (packing foam)-



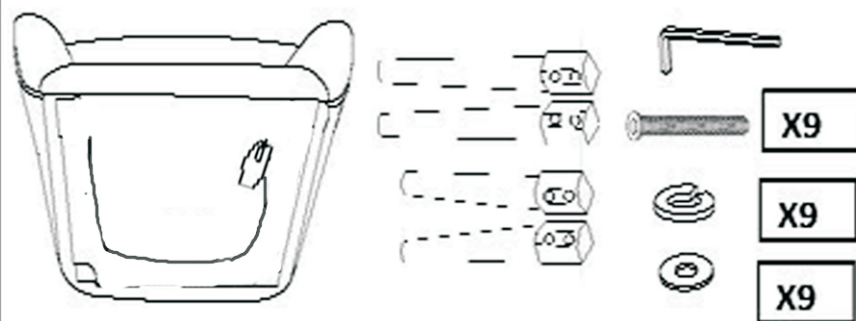
• Save all packaging until finished-

## Assembly Steps



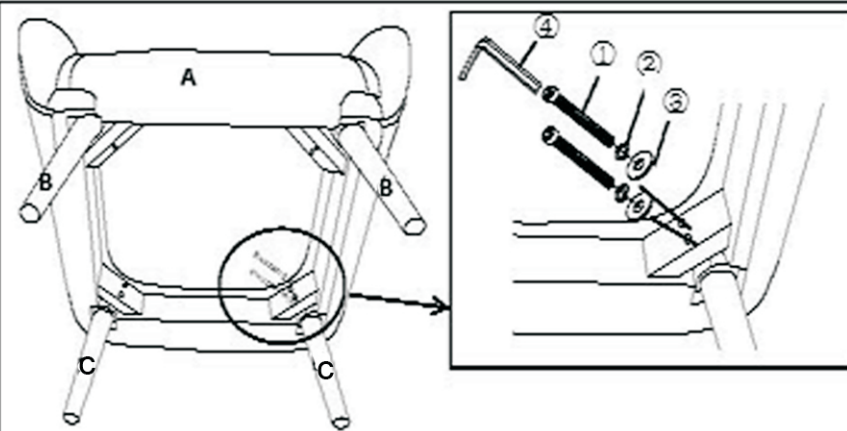
This Club Chair has multiple parts and may require up to 30 minutes to assemble. To give you an overview of the Club Chair parts, the above picture is to help you put the various parts into perspective. Please read through the instructions below to familiarise yourself with the parts and steps before assembly.

### Step 1



Place the Seat(A) on a clean, non-marring surface with the bottom facing you, as shown in the picture above. Carefully peel away the dust cover from the edge, and remove the Legs and Hardware.

### Step 2



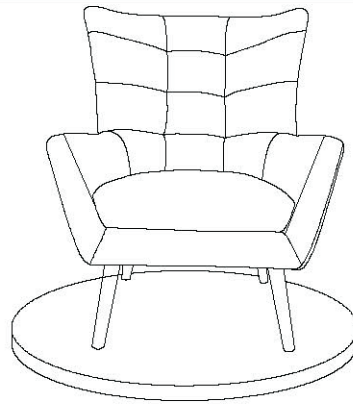
Insert the Back Leg(C) into the mounting position of Chair(A), and attach using Bolts(①), Spring Washers(②) and Washers(③) with Allen Key(④).

Repeat the same process to install the other Back Leg(C).

After finish installing the Back Legs, use the same way to install the Right Front Leg(B).

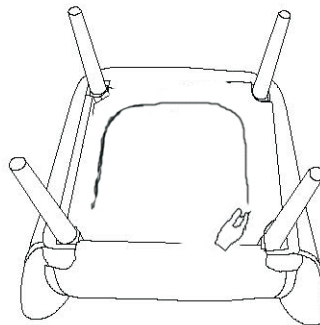
**Do not fully tighten the Bolts.**

### Step 3



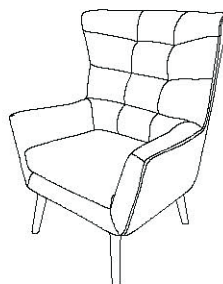
Place the Chair on a **LEVEL SURFACE** to check for wobbles.  
If it wobbles, press firmly down on both armrests at the same time. This will help to ensure all Bolts and gaps reach full alignment status.  
If no wobbles found, proceed to tighten all Bolts at all joints.  
**DO NOT fully tighten a Bolt in one go and then move on to the next. Rather, in a sequential manner, gradually tighten each Bolt until all Bolts are evenly secured.**  
**This methodology will ensure maximum evenness once all Bolts are fully tightened.**

### Step 4



Place the Chair facedown onto a clean, non-marring surface as shown in picture.  
Put the Dust Cover back on the bottom of the Chair by smoothing down the velcro at all four edges by hand.

### Step 5



Your Club Chair is ready for use.  
**This Club Chair can only be used on a flat, level surface.**



## Care & Maintenance



- Furniture may scratch floors. We recommend using furniture pads to protect your floors.



- Do not put hot items directly on furniture surface.



- Do not clean furniture with harsh cleansers or polish.



- Do not place furniture under direct sunlight.



- Do not place furniture near heating or cooling vents.



- Do not write on furniture without a padded barrier to protect the surface.



- Do not place furniture outside . For indoor use only.



- Not for commercial use. For residential use only.



- Stains may be removed with mild soap solution and damp cloth.



- Children should not climb or jump on the furniture.



- Dust and pick-up spills using a clean, non-colored, lint-free cloth.