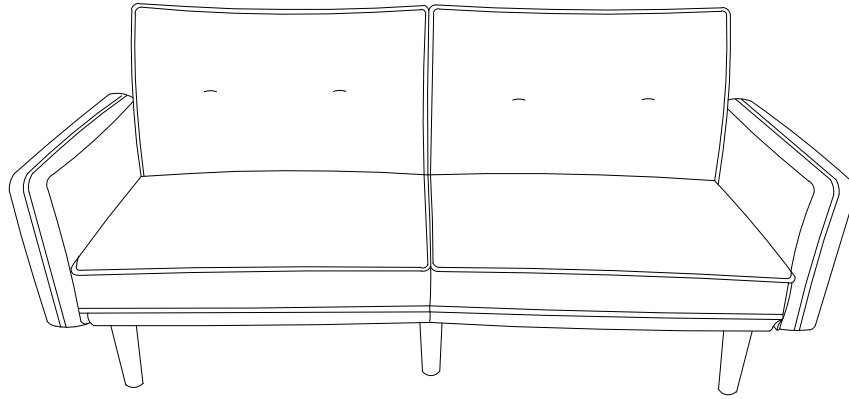

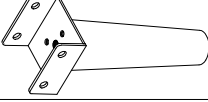







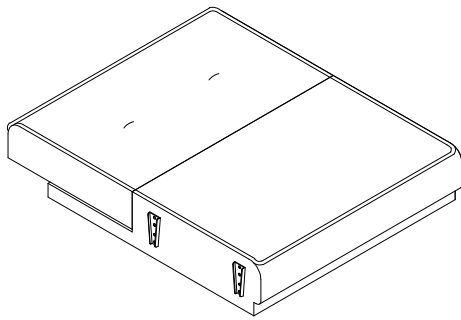
① ASSEMBLY INSTRUCTION

MODEL NO.HC5280

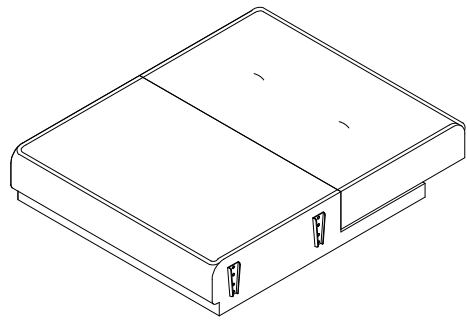


Components/QTY	Components/QTY	Components/QTY
A 4PCS 	B 2PCS 	C 8PCS 
D 4PCS 	E 1PC 	F 4PCS 
G 1PC 		

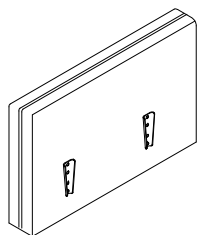
① 1PC



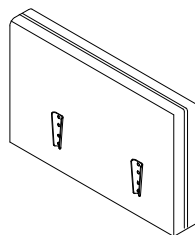
② 1PC



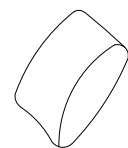
③ 1PC



④ 1PC



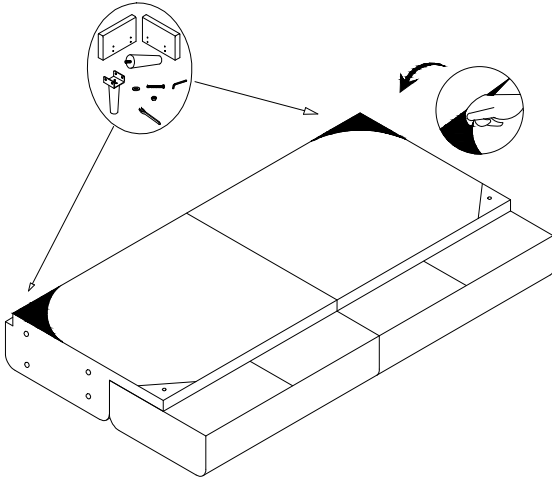
⑤ 2PCS



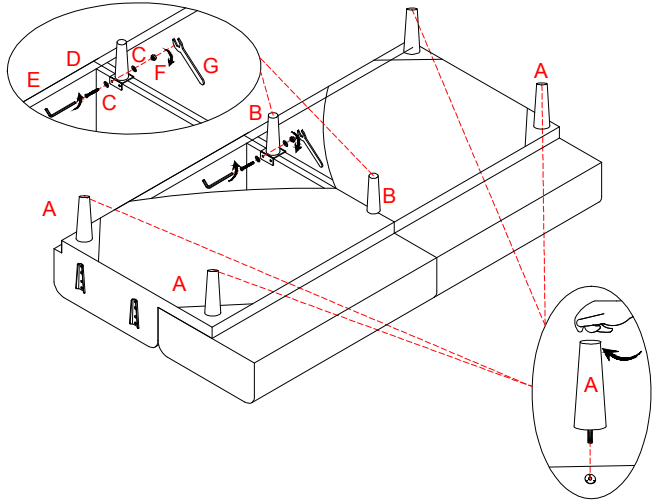
② ASSEMBLY INSTRUCTION

MODEL NO.HC5280

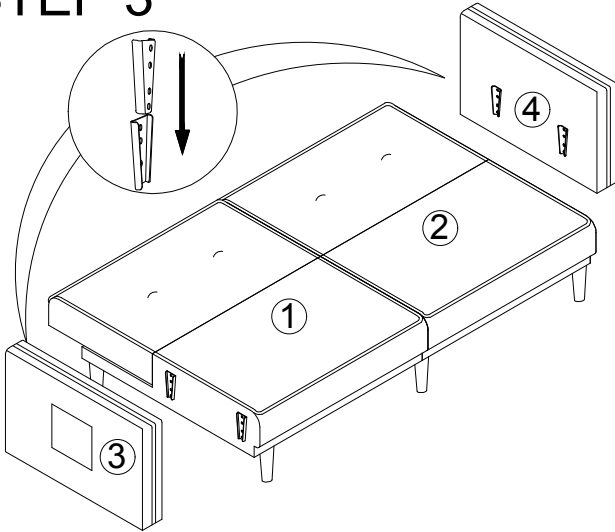
STEP 1



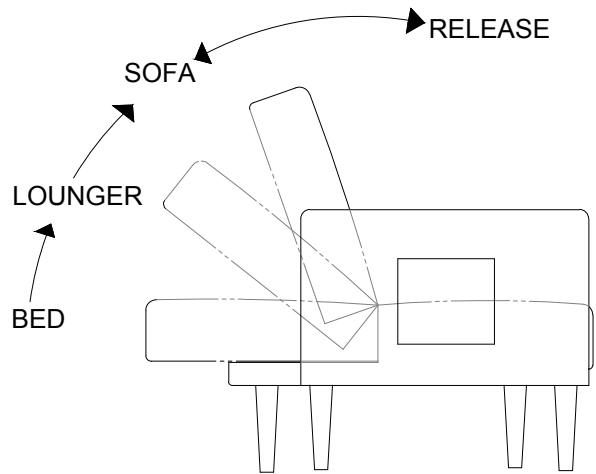
STEP 2



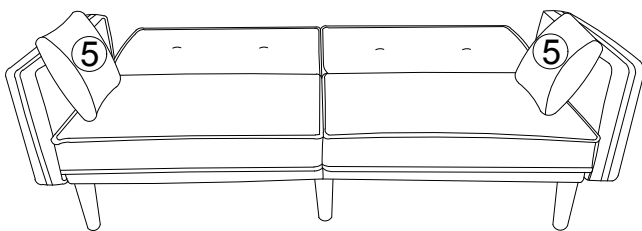
STEP 3



STEP 4



STEP 5



STEP 6

