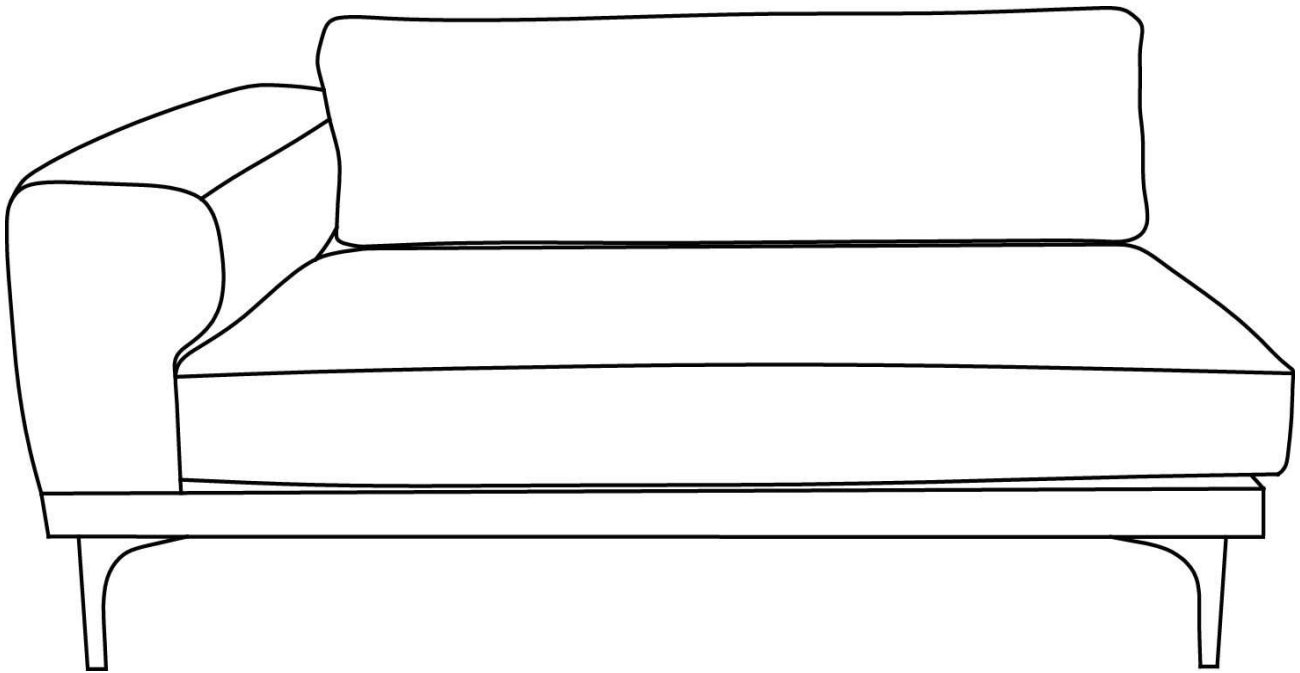



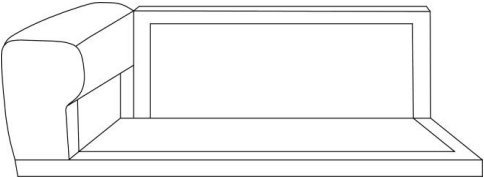
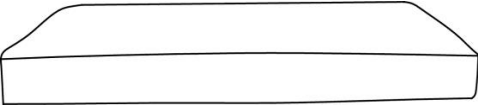
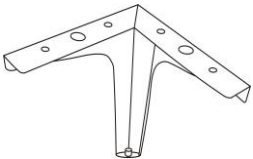
Assembly Instructions

Caution: You must read this before you proceed.





Left Arm Sofa



Parts List


Label	Picture	Description	QTY
A		Back Cushion	1
B		Sofa	1
C		Seat Cushion	1
D		Sofa Leg	4

Hardware

Label	Picture	Description	QTY
①		Bolt (M8*30 MM)	9
②		Washer	9
③		Allen Key	1
④		Spring Washer	9


Assembly Preparation

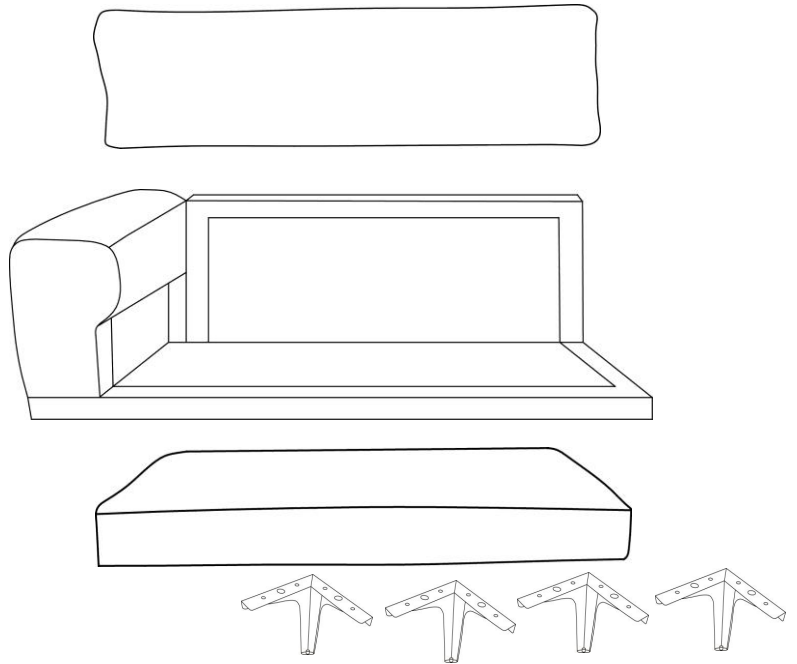
Before Beginning Assembly:

 X 9



 X 9

 X 9



- Read instructions, cover to cover-



- Have 2 adults on hand for assembly-



- Do not assemble on flooring or carpet-



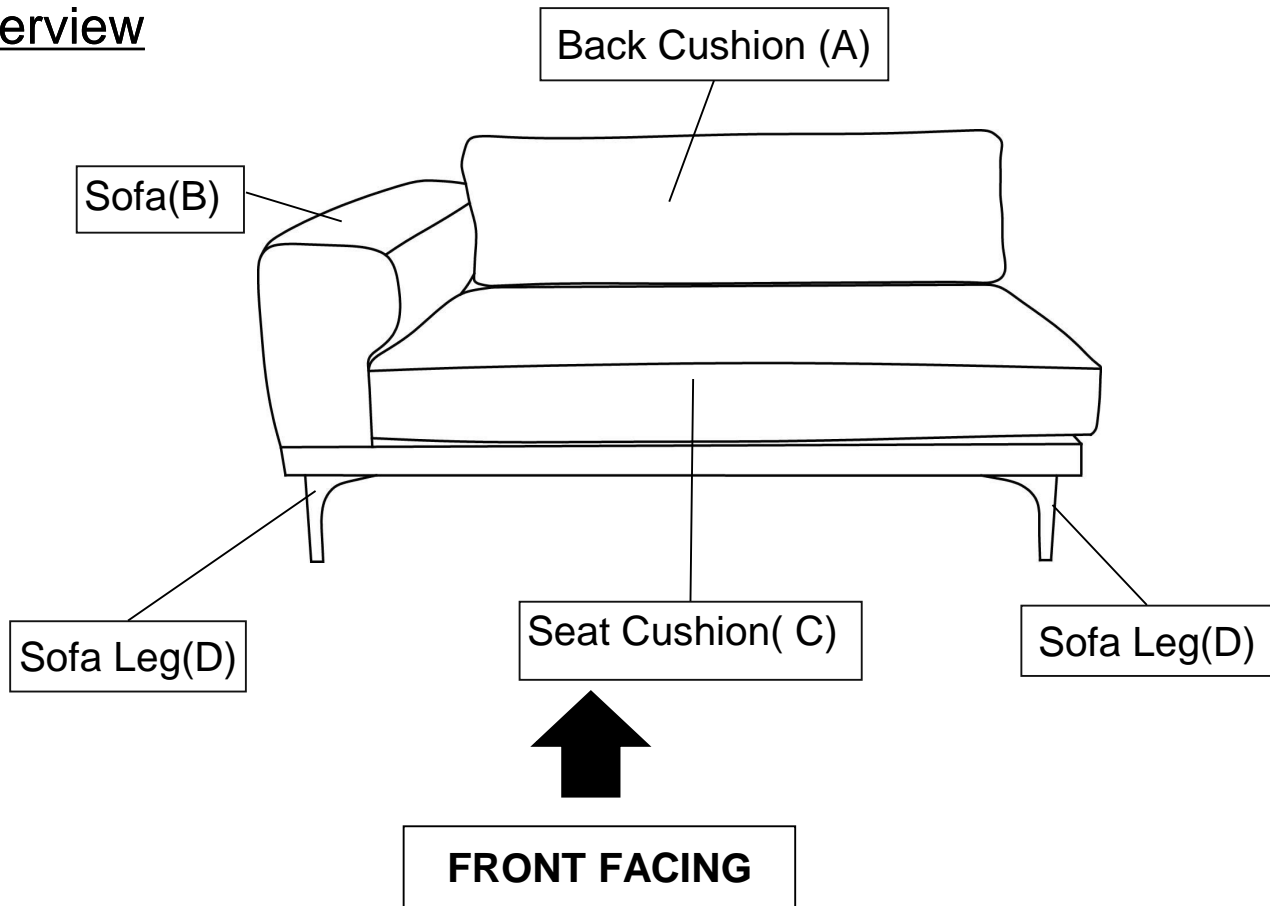
- Assemble on a clean non-marring surface (packing foam)-



- Save all packaging until finished-

Assembly Steps

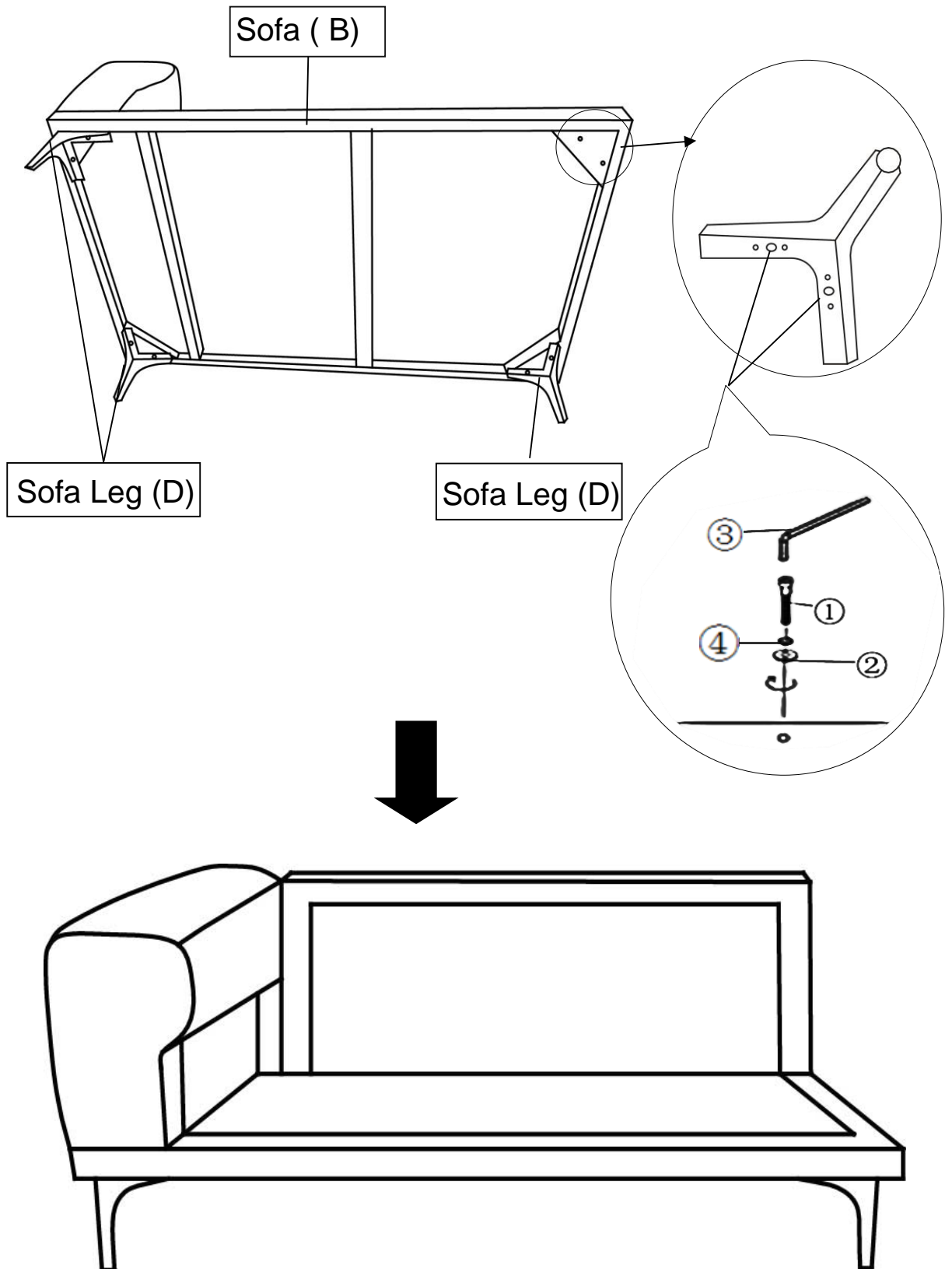
Overview



This Sofa has multiple parts and may require up to 30 minutes to assemble . To give you an overview of the sofa parts, the above picture is to help you put the various sofa parts into perspective. Please read through the instructions here below to familiarise yourself with the parts and steps before assembly.

NOTE: It is recommended that you have an adult partner to assist during the entire assembly process.

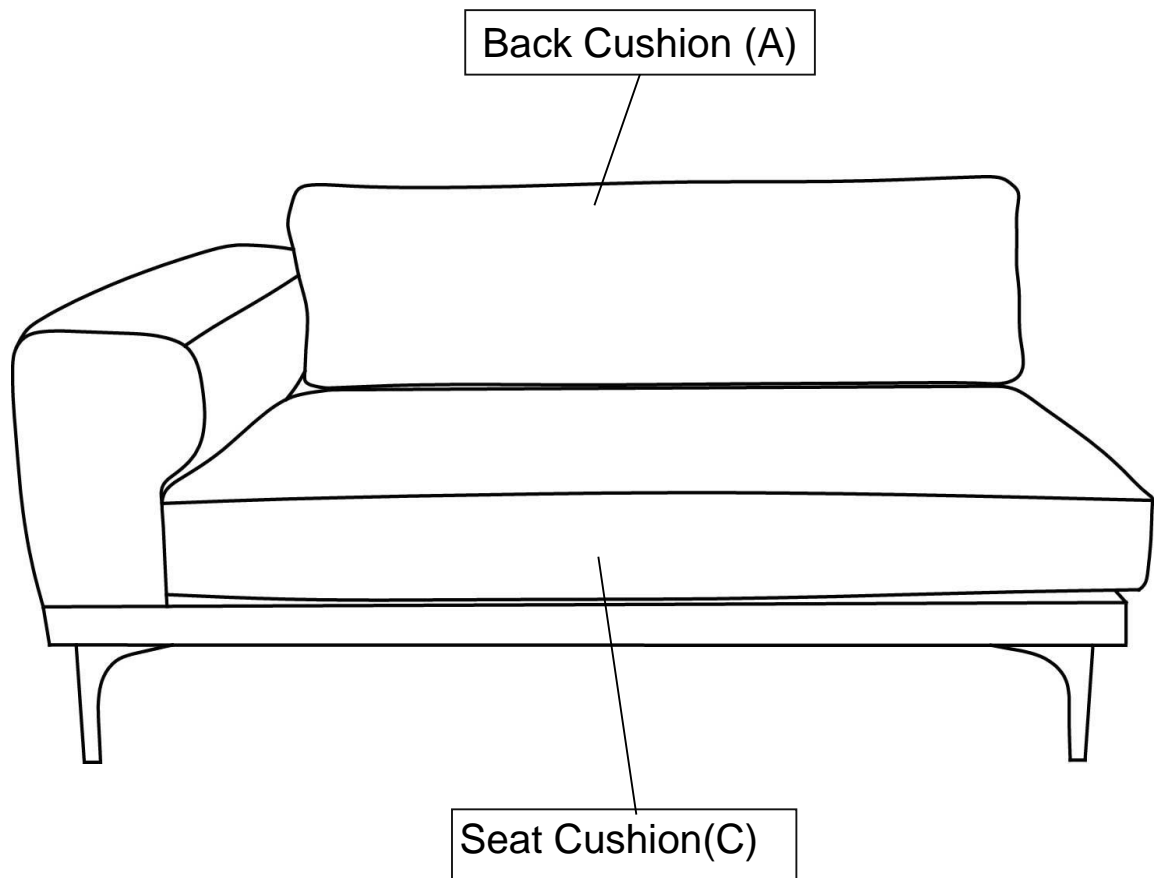
Step 1



Install each of the Sofa Legs(D) to the bottom of the sofa using Bolts(①) , Spring Washers(④), and Washers(②) with the Allen Key(③) as pictured above.

Note: Please keep the Allen key in a safe place, to tighten the Bolts again if the product were to loosen during use.

Step 2

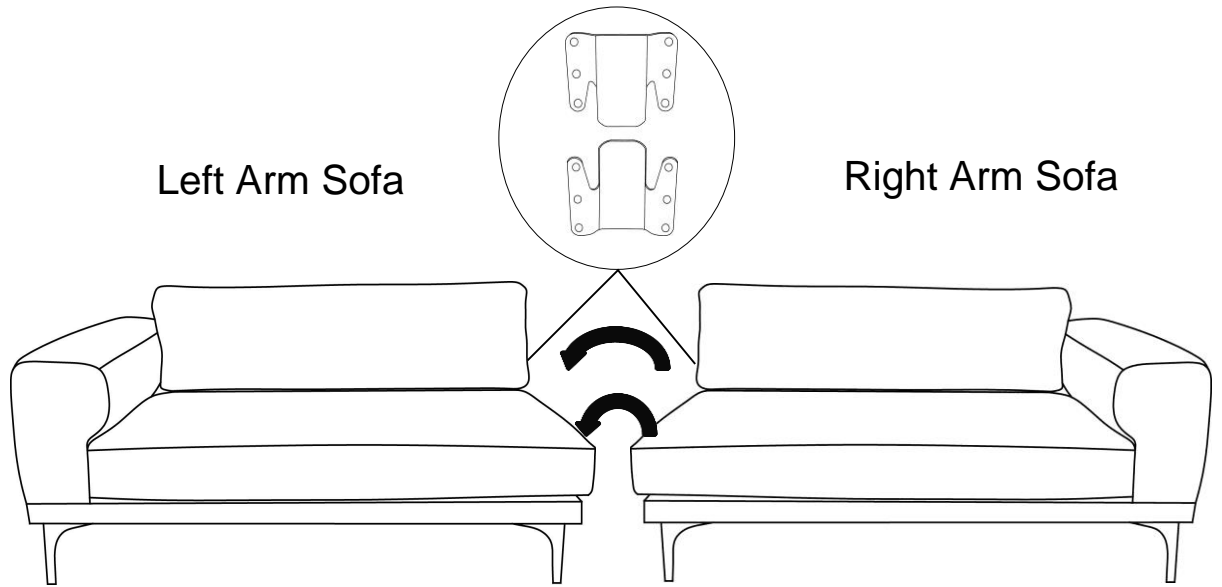


Place the Seat Cushions(C) and Back Cushion (A) onto the Sofa.
Your Sofa is ready for use.

Caution: This Sofa can only be used on a flat, level surface.

Additional Steps

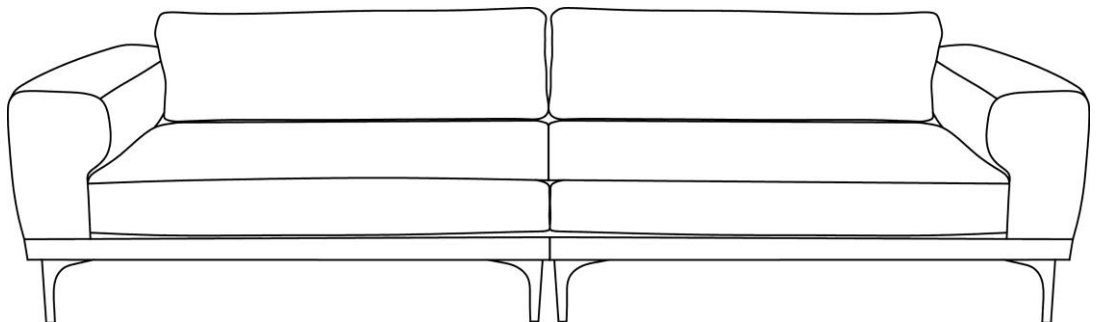
Step 1



Connect the Left Arm Sofa to the Right Arm Sofa by intersecting the metal brackets.

Make sure all parts are connected and securely locked into position.

Step 2



Your Sofa Set is ready for use.

This Sofa Set can only be used on a flat level surface.

Care & Maintenance



- Furniture may scratch floors. We recommend using furniture pads to protect your floors.



- Do not put hot items directly on furniture surface.



- Do not clean furniture with harsh cleansers or polish.



- Do not place furniture under direct sunlight.



- Do not place furniture near heating or cooling vents.



- Do not write on furniture without a padded barrier to protect the surface.



- Do not place furniture outside . For indoor use only.



- Not for commercial use. For residential use only.



- Stains may be removed with mild soap solution and damp cloth.



- Children should not climb or jump on the furniture.



- Dust and pick-up spills using a clean, non-colored, lint-free cloth.