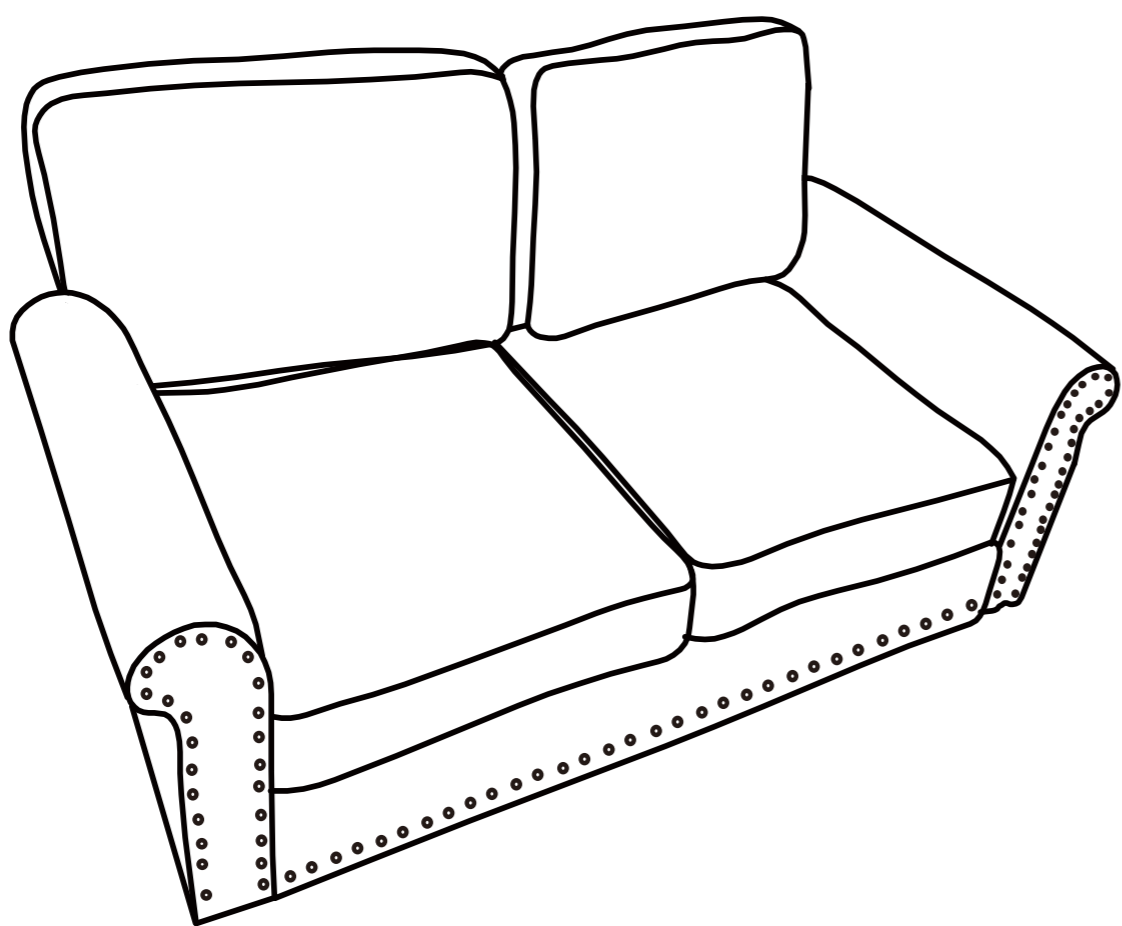
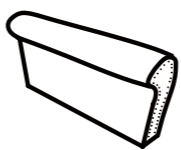
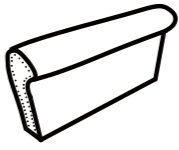
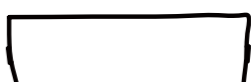




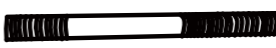


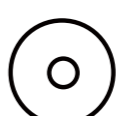



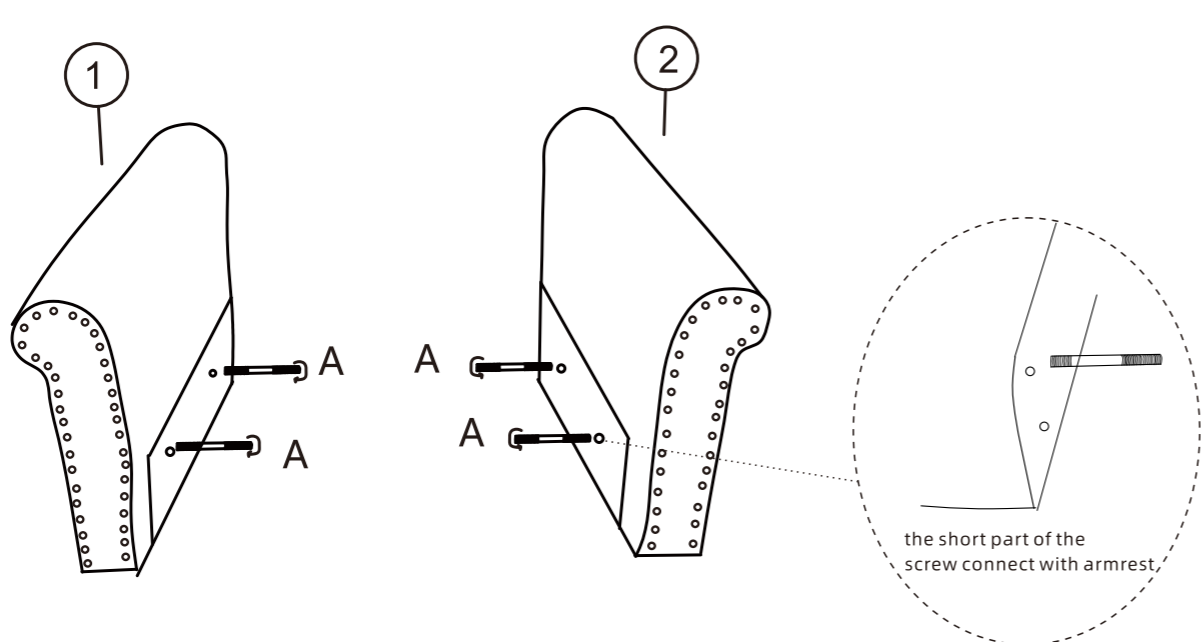
ASSEMBLY INSTRUCTION



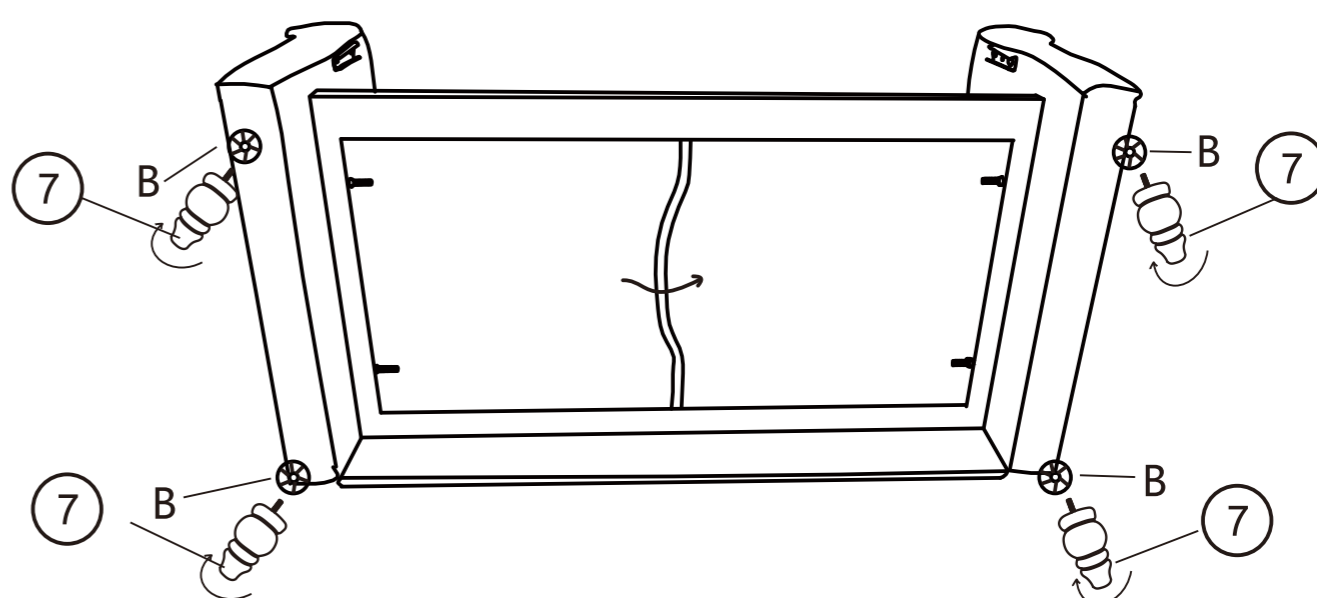
Part list

1  X1	2  X1	3  X1
4  X1	5  X2	6  X2
7  X4	A  X4	B  X4
C  X4	D  X4	E  X1

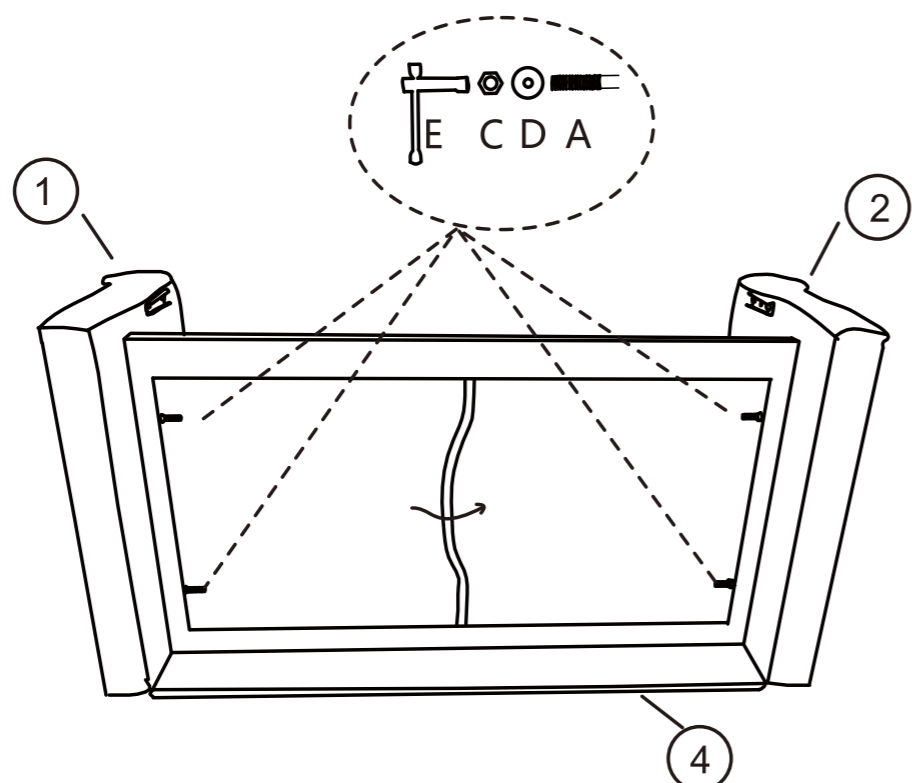
1 Place the armrest(1 and 2) as shown in the figure and screw in bolt (A).



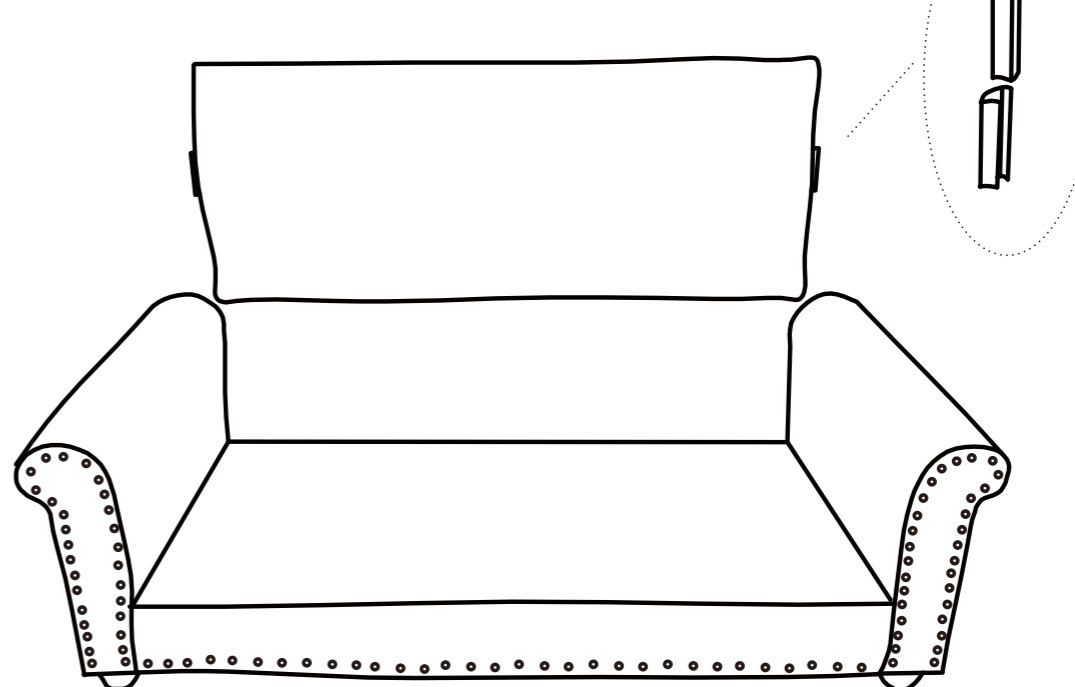
3 Fix the sofa feet (7) under the armrests (1 and 2), with a plastic gasket (B) in the middle.



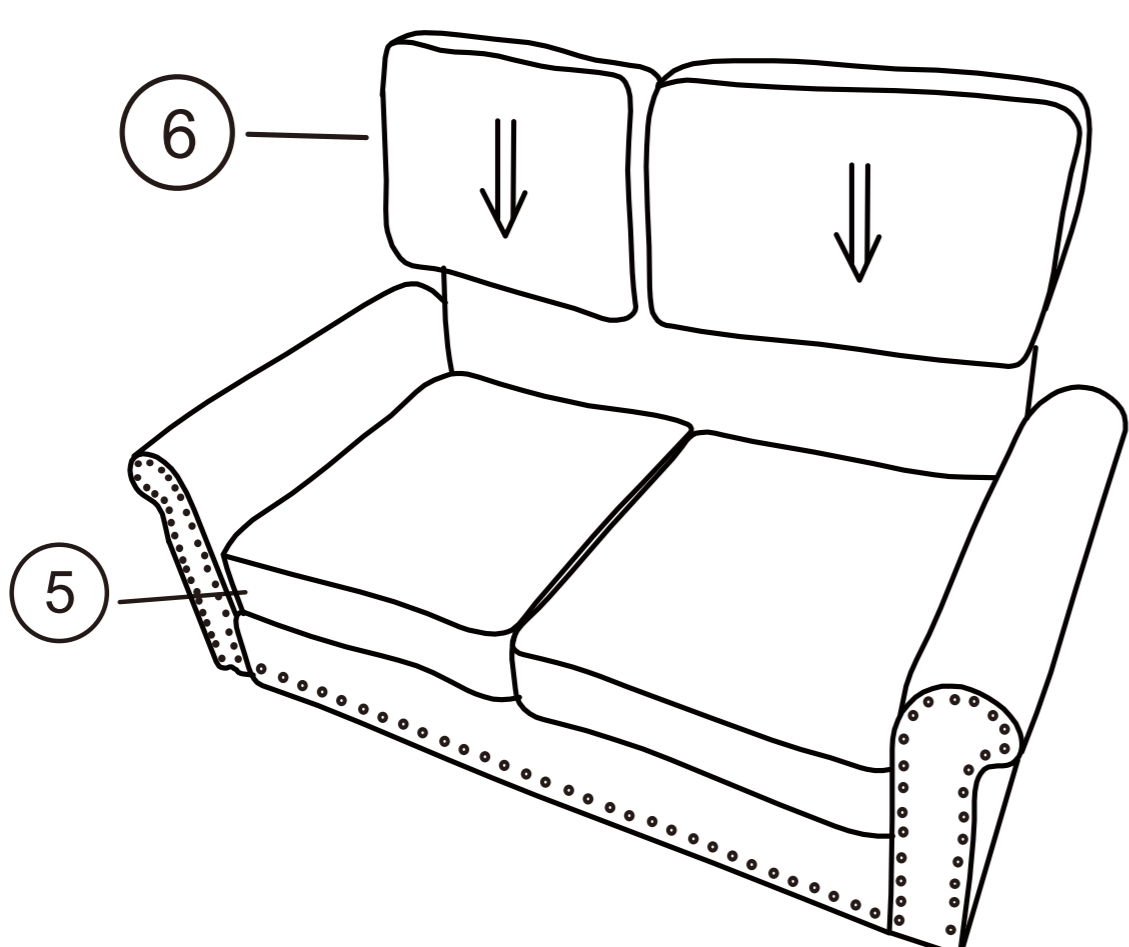
2 Place the seat (4) as shown in the figure and secure the bolts (A) with nuts (C) and washers (D), so that the seat (4) cushion and armrest (1 and 2) are connected together.



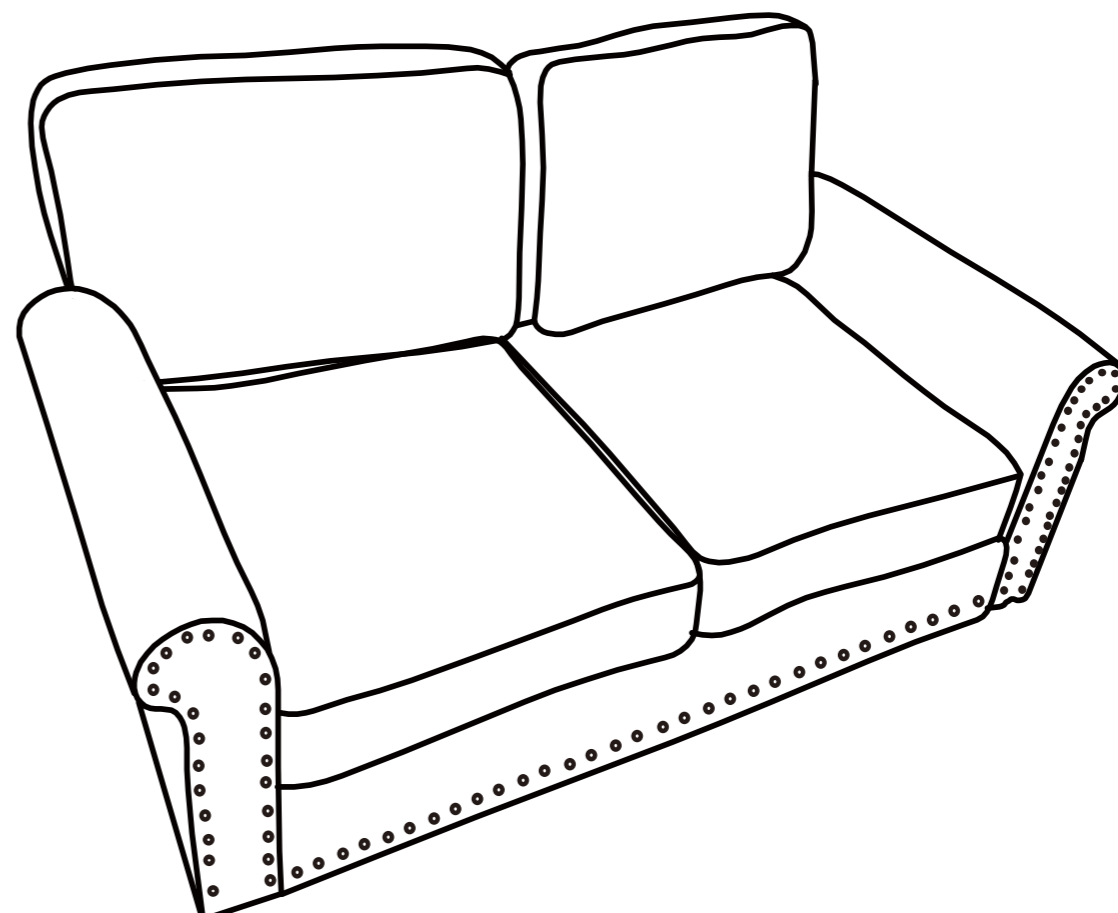
4 Insert the backrest (3) into the buckle on both sides of the sofa handle as shown in the figure.



5 Place the seat cushion (5) and backrest cushion (6) on the assembled sofa.



6



The cushion bag is filled with high rebound sponge, and after tearing off the compression film, it can return to its normal size within 48 hours. A hand tap can accelerate the rebound speed