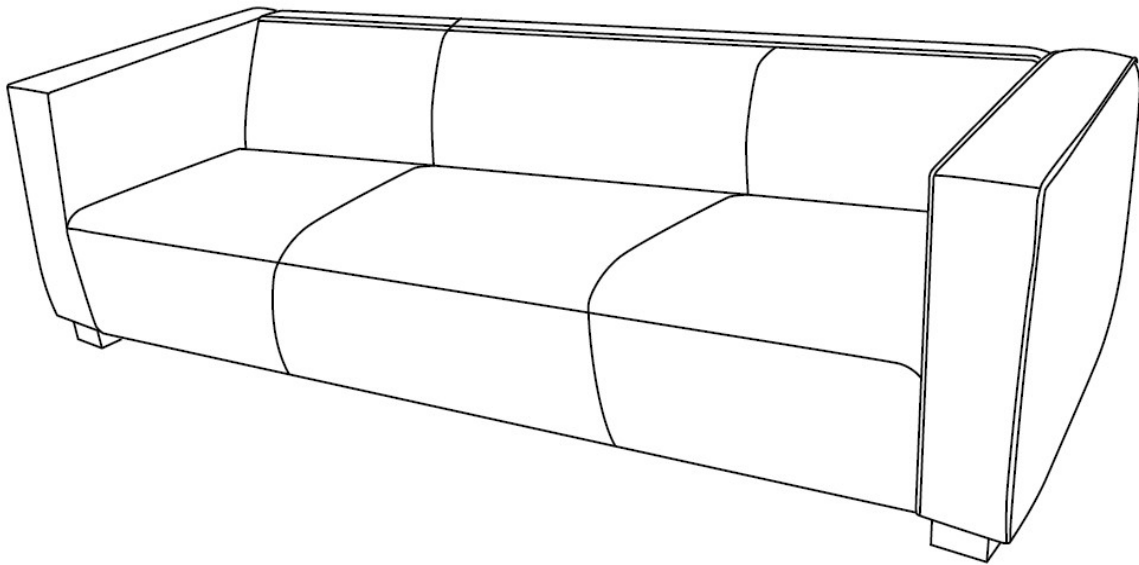


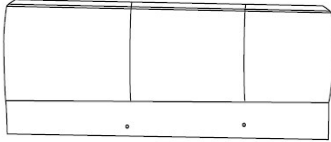




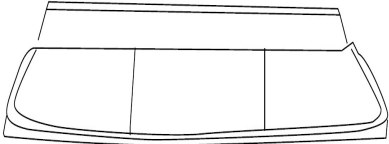
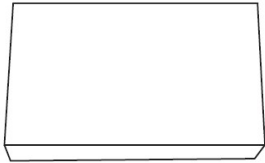
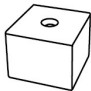
# Assembly Instructions

**Caution: You must read this before you proceed**

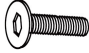



## SOFA



# Parts List

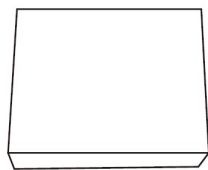
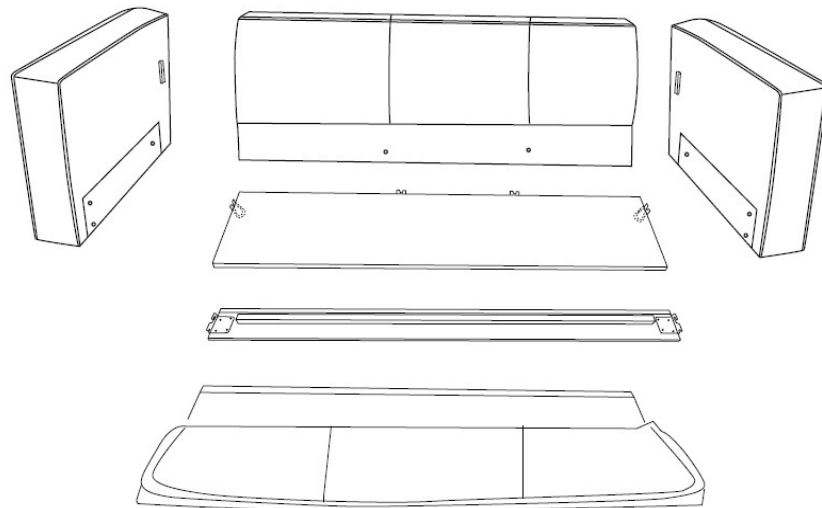
Label	Picture	Description	QTY
A		Backrest	1
B		Left Armrest	1
C		Right Armrest	1
D		Seat	1
E		Front Rail	1
F		Seat Cushion Cover	1
G		Inner Seat Cushion	3
H		Leg	4

# Hardware

Label	Picture	Description	QTY
①		Bolt(M8*60)	13
②		Flat Washer Ring	5
③		Spring Washer Ring	5
④		Allen Wrench	1

# Assembly Preparation

Before Beginning Assembly:



\*3



\*4



\*13



\*5



\*5



\*1



• Read instructions, cover to cover-



• Have 2 adults on hand for assembly-



• Do not assemble on flooring or carpet-



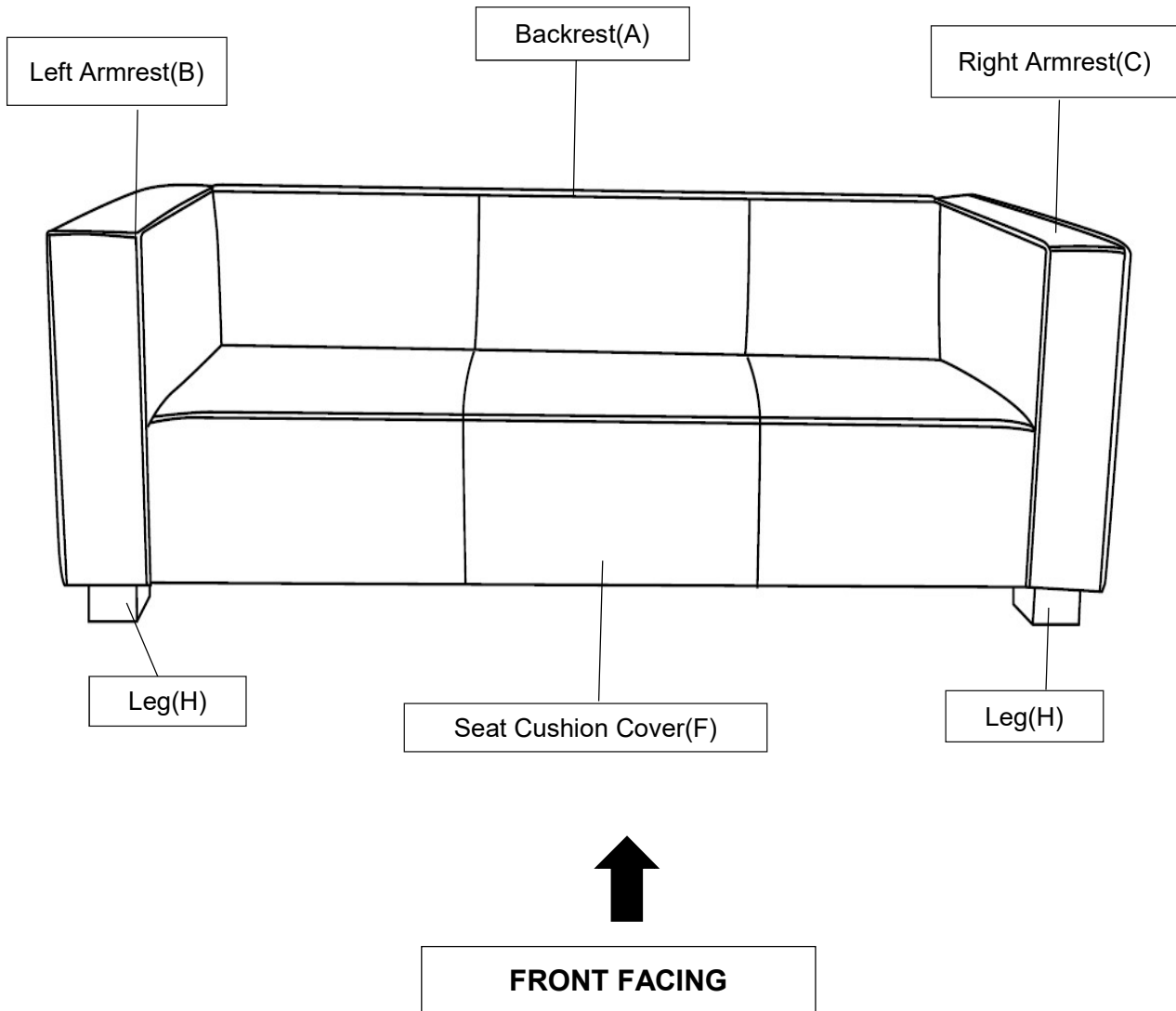
• Assemble on a clean non-marring surface (packing foam)-



• Save all packaging until finished-

# Assembly Steps

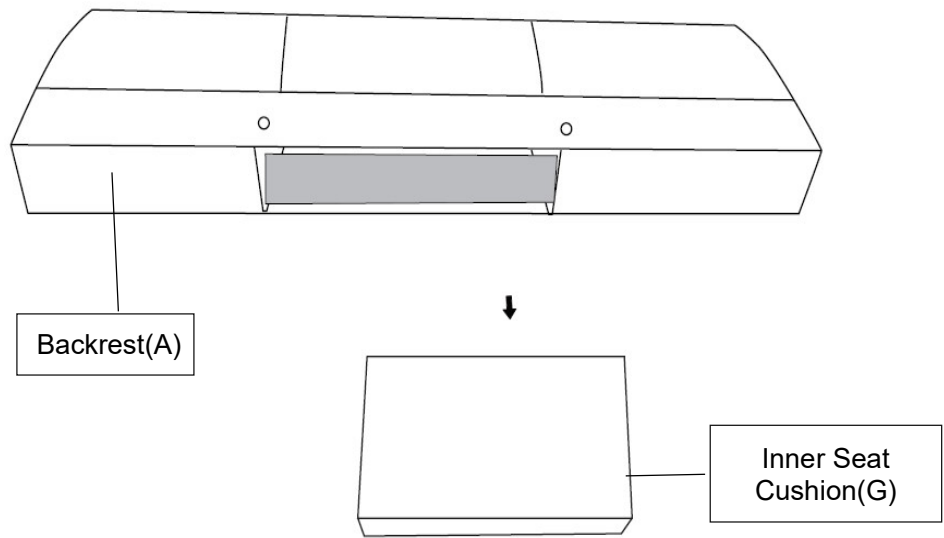
## OVERVIEW



This Sofa has multiple parts and may require up to 60 minutes to assemble. To give you an overview of the Sofa parts, the above picture is to help you put the various parts into perspective. Please read through the instructions below to familiarise yourself with the parts and steps before assembly.

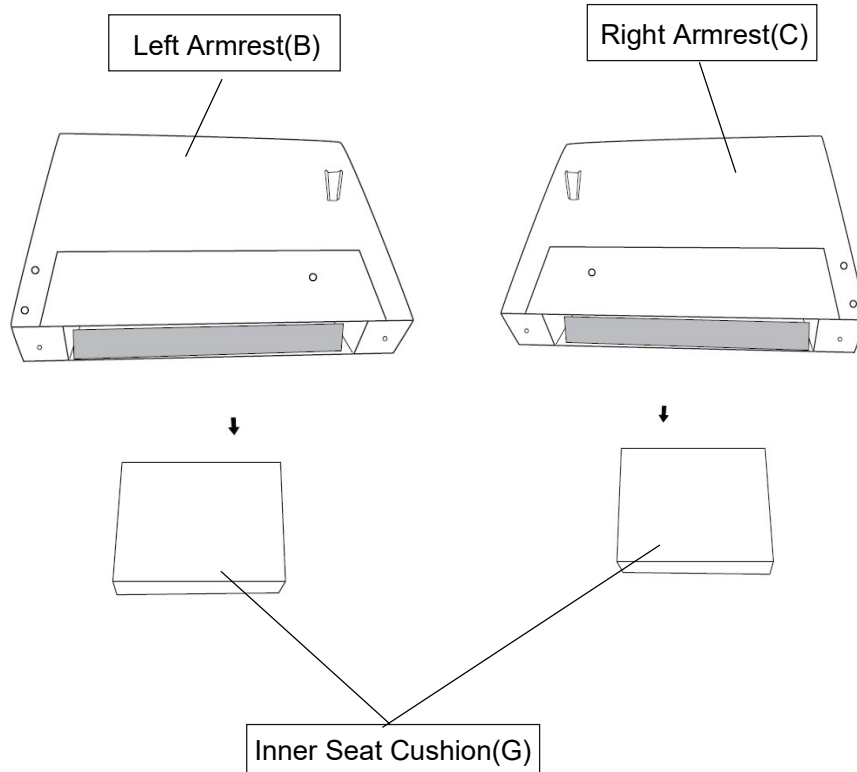
**Note: It is recommended that you have an adult partner to assist during the entire assembly process.**

**Step 1**



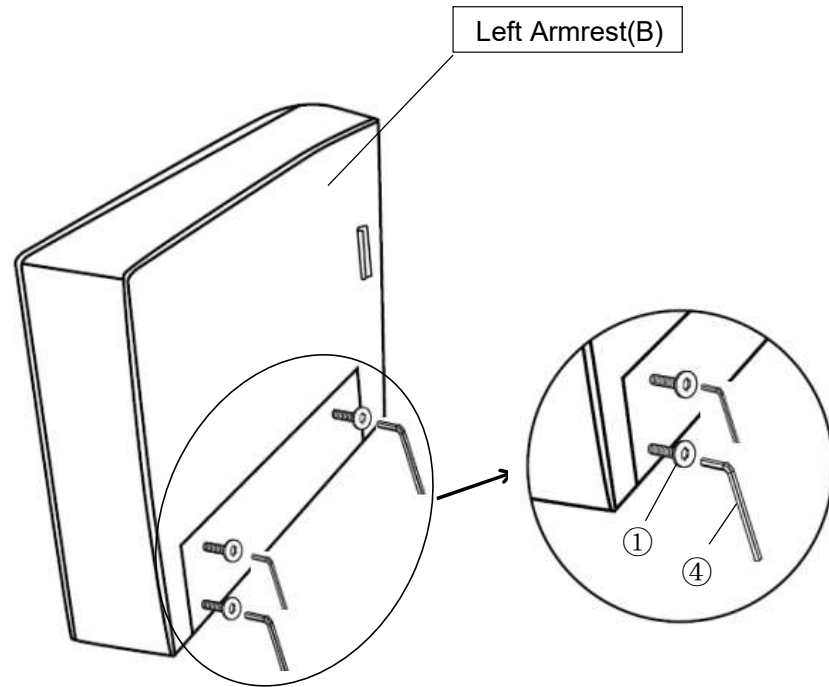
Place the Backrest(A) face up on a clean, non-marring surface.  
Remove the Inner Seat Cushion(G) from the inside of the Backrest(A) as shown above.

**Step 2**



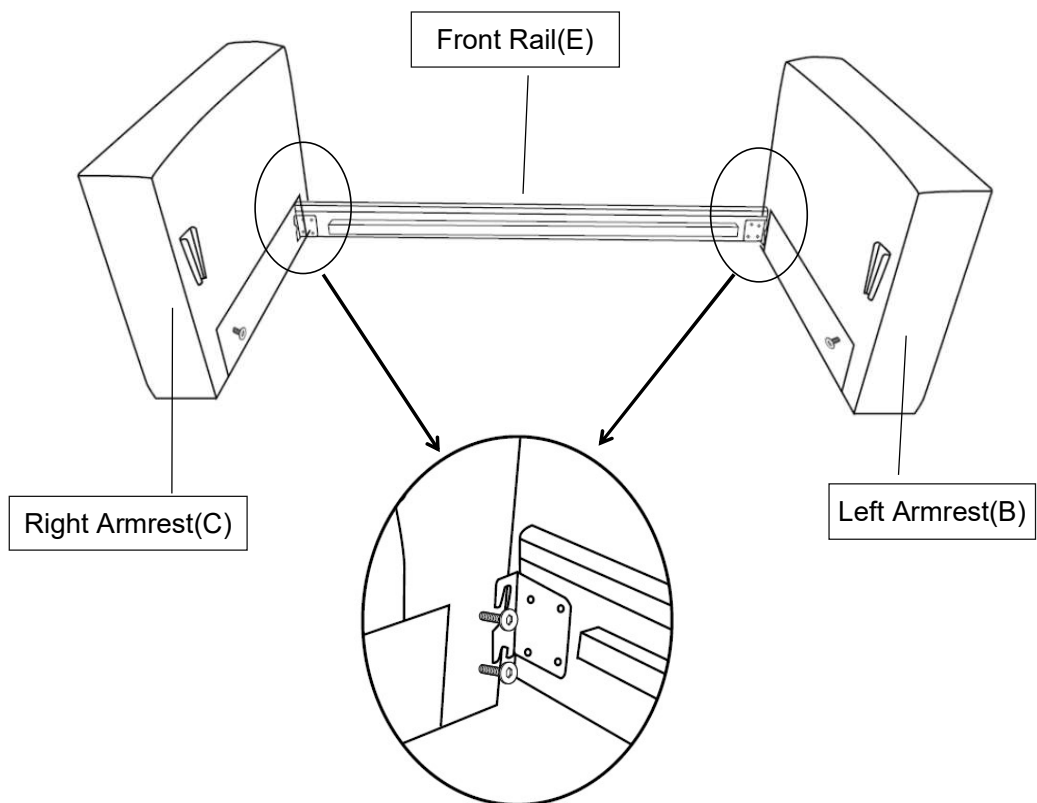
Place the Left Armrest(B) and the Right Armrest(C) face up on a clean, non-marring surface .  
Remove the Inner Seat Cushion(G) from the bottom of the Left Armrest(B) and the Right Armrest(C) as shown above.

### Step 3



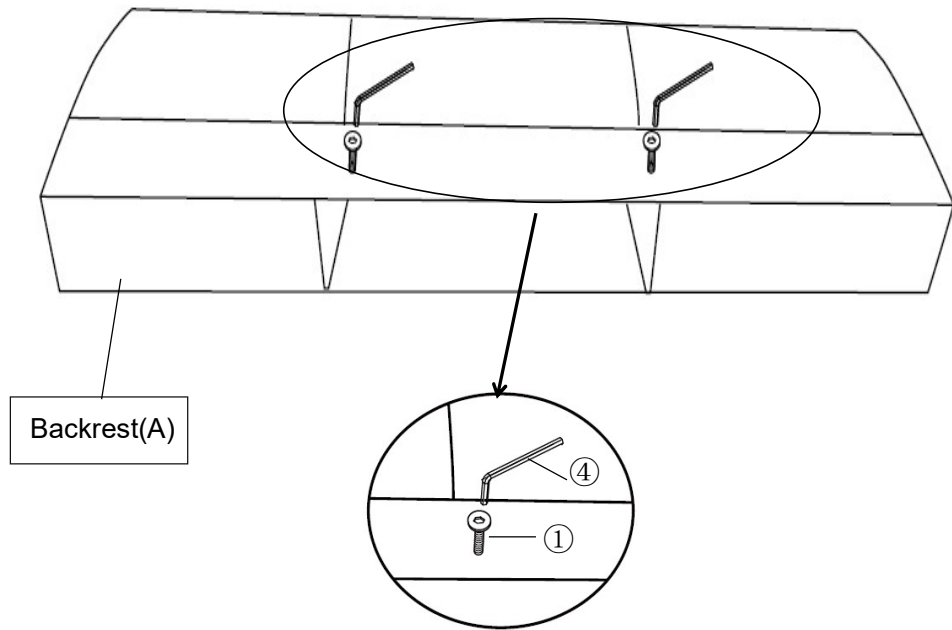
Turn the 3 Bolts(①) clockwise with the Allen Wrench(④) , turning about 0.5 inches (half an inch) into the Left Armrest(B), as shown above.  
Repeat the same process with the Right Armrest(C).

### Step 4



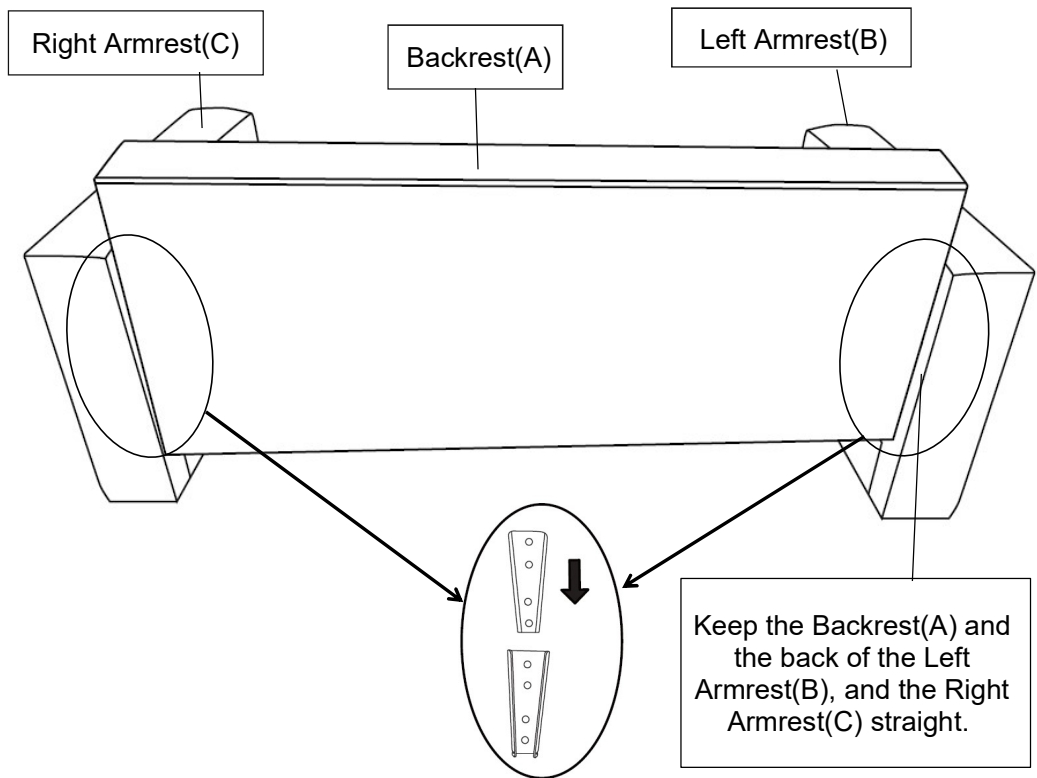
With the assistance from your adult partner, slide the hook on the end of the Front Rail(E) into the bolts on the Right Armrest(C) and the Left Armrest(B) as shown in the picture above.

**Step 5**



Turn the 2 Bolts(①) clockwise with the Allen Wrench(④), turn about 0.5inches (half an inch) into the Backrest(A), as shown above.

**Step 6**



Slide the Tapered Connectors on the Backrest(A) into the Tapered Connectors on the Left Armrest(B) as shown in the picture.

Repeat the same step with the Right Armrest(C).

**Note: Make sure the Tapered Connectors on the Backrest(A) lock into the Tapered Connectors on the Left Armrest(B) and the Right Armrest(C).**

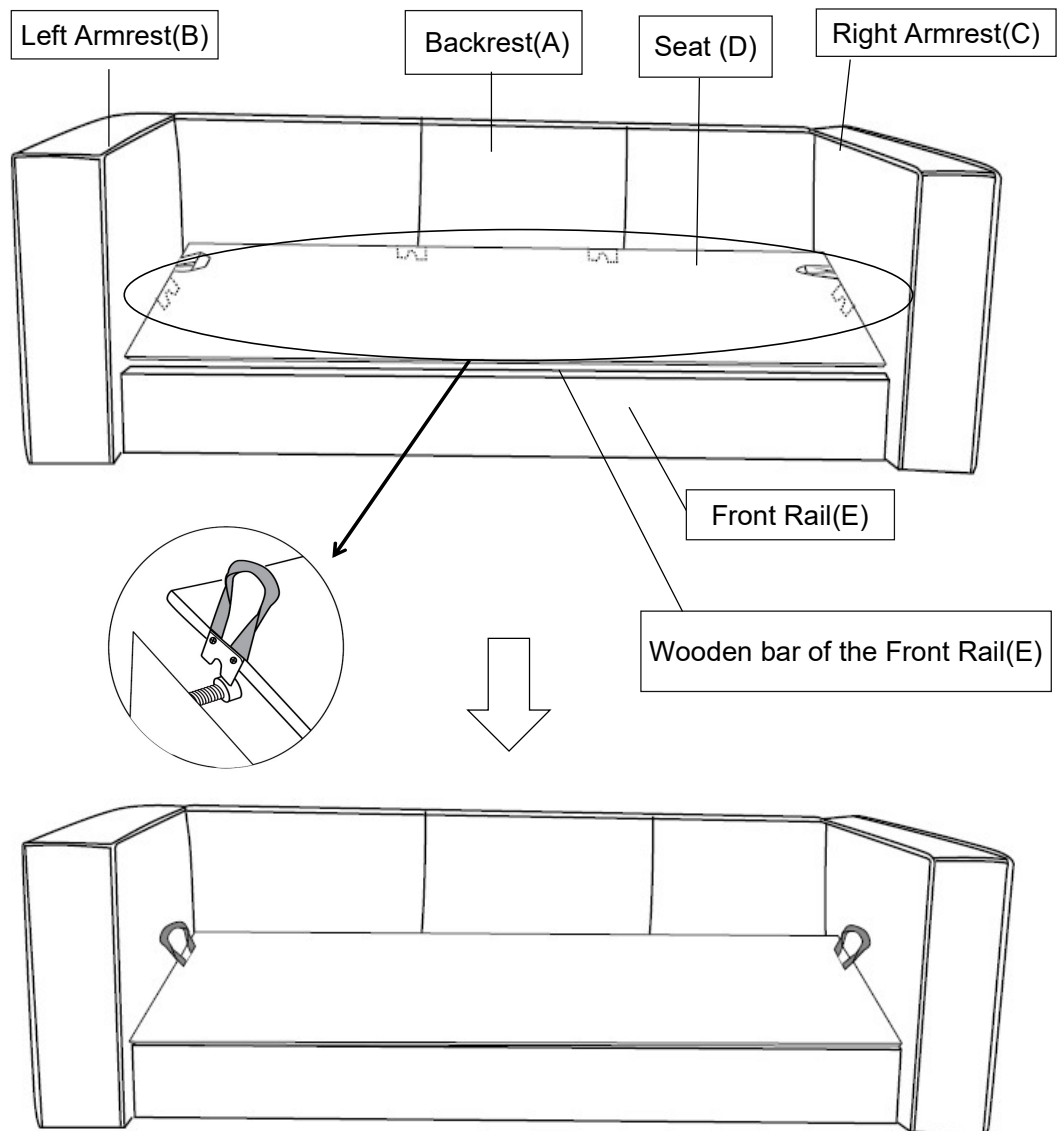
**NOTE:Keep the Backrest(A) and the back of the Left Armrest(B), and the Right Armrest(C) flat.**

**Assistance from an adult partner is necessary for this assembly process.**

**During this assembly process - do exercise caution. You may need to use your hand to press down and or pave away the padded surface to facilitate the 'slip and slide' assembly.**

**Caution: Ensure that your fingers do not get caught or pinched in the assembly process.**

### Step 7

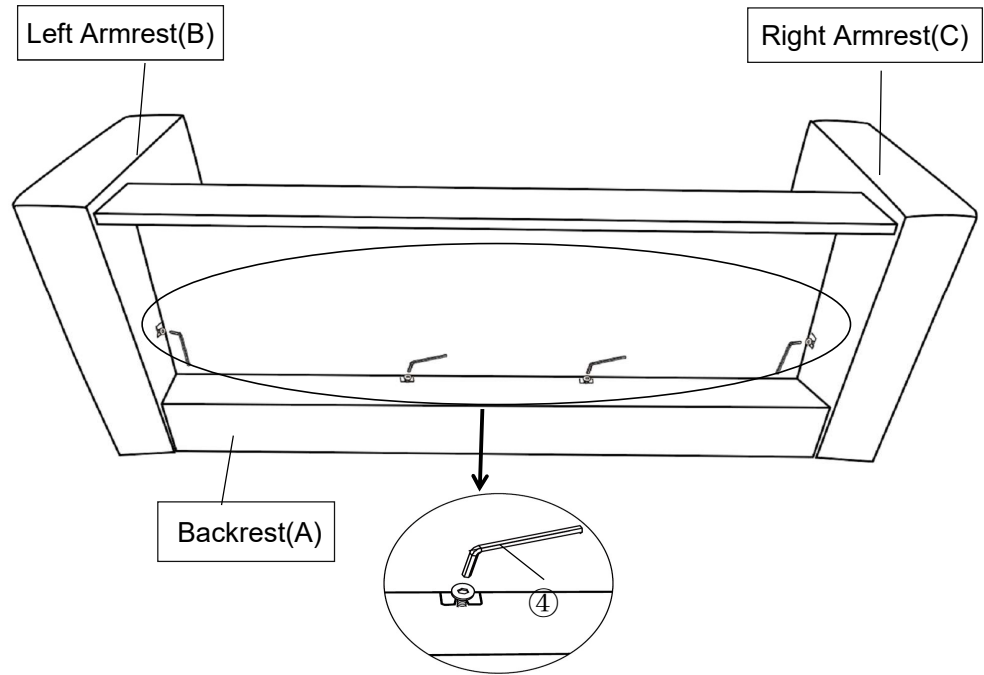


With the assistance of your adult partner, lift the rope on the two sides of Seat(D) by hand. Place the Seat(D) over the wooden bar on the back side of the Front Rail(E) and then slowly place it down on it as shown above.

**Note:All the u-shaped iron sheets need to be clamped to the bolt.**

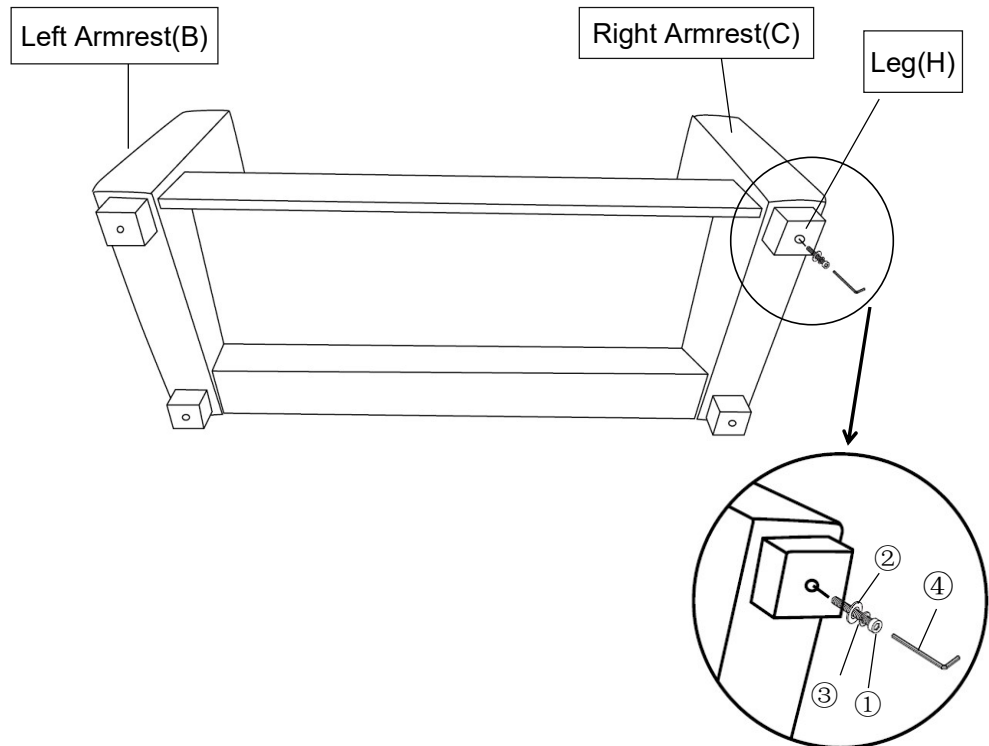


**Step 8**



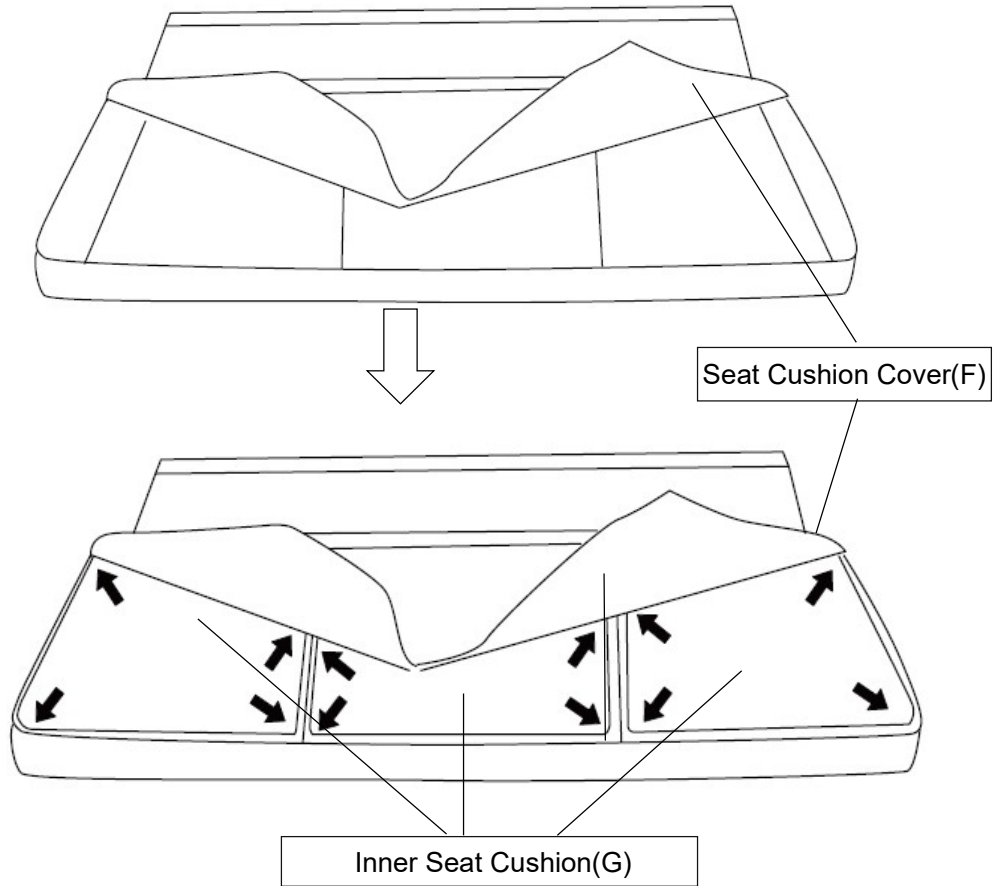
Tilt and lay the Sofa onto a flat surface.  
FULLY Tighten the Bolts in the bottom of Backrest(A), the Left Armrest(B) and the Right Armrest(C) using the Allen Wrench(4) as shown above.  
Tighten the Bolts fully in a sequential manner.

**Step 9**



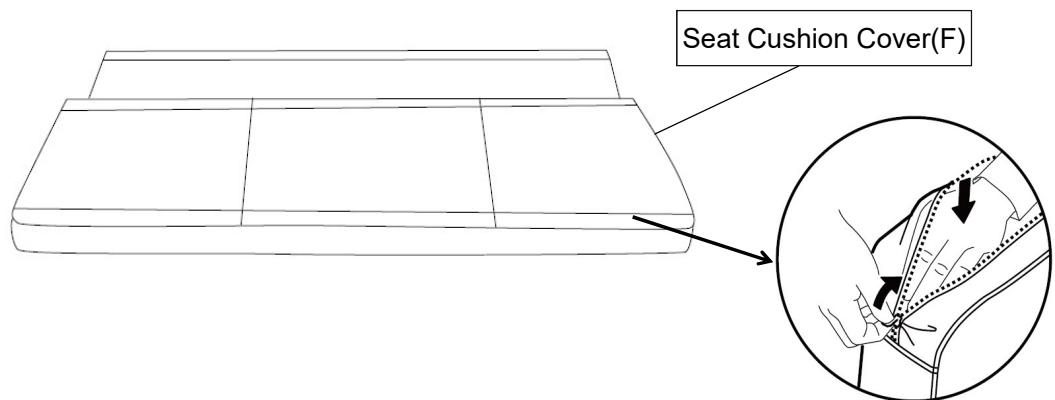
Install the Leg(H) to the Left Armrest(C) using a Bolt(1),a Spring Washer Ring(3),a Flat Washer Ring(2),with the Allen Wrench(4) turning clockwise until tight.  
Repeat the same step with the remaining Legs(H).

**Step 10**



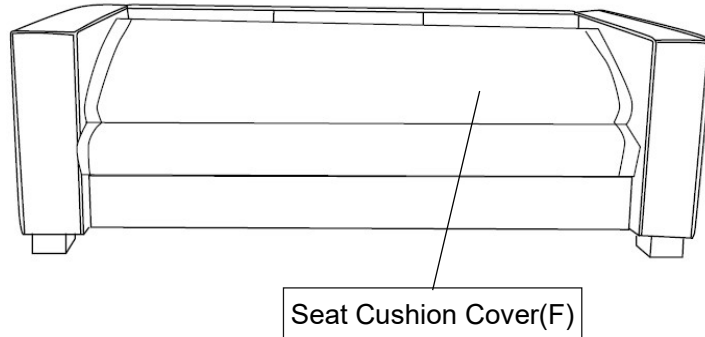
Open the zipper on the bottom of the Seat Cushion Cover(F).  
Put the 3 Inner Seat Cushions(G) into the Seat Cushion Cover(F) and smooth out the Seat Cushion Cover(F) as shown above.

**Step 11**



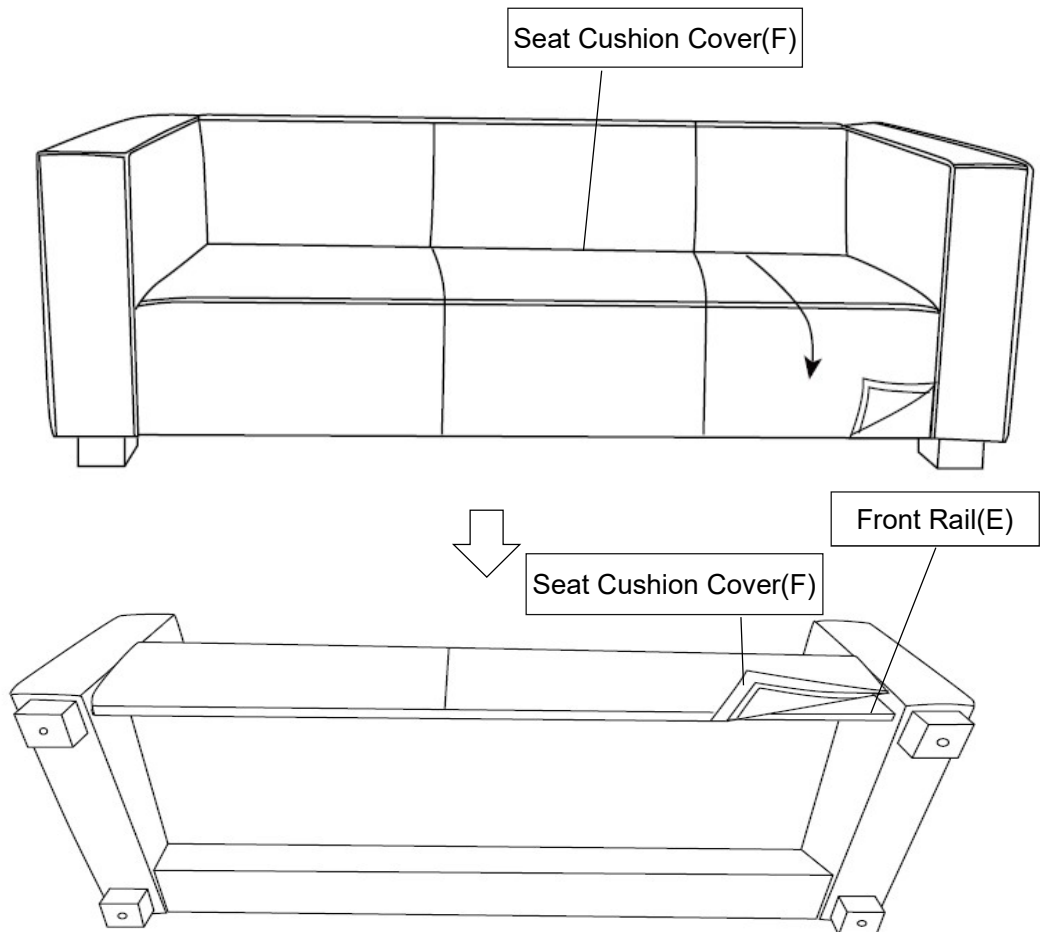
Close the Zipper on the bottom of the Seat Cushion Cover(F) as shown above.

**Step 12**



After Step 11, put the Seat Cushion Cover(F) on the sofa seat.

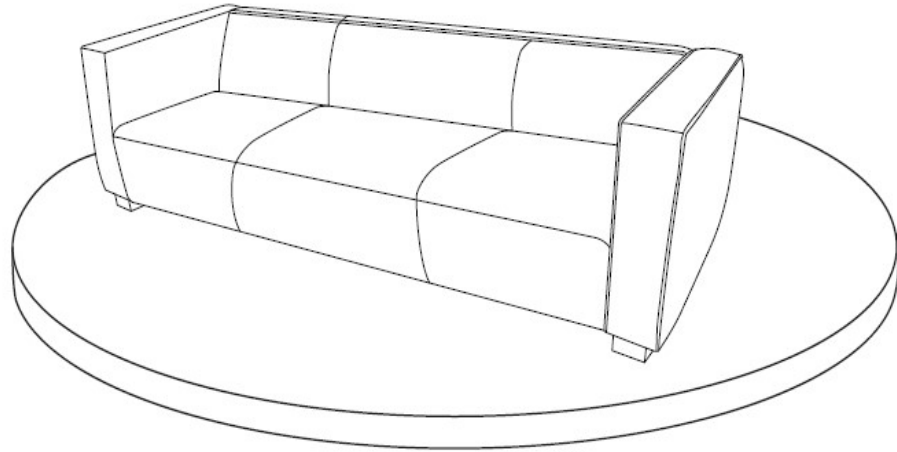
**Step 13**



Stick the magic tape of the Seat Cushion Cover(F) under the Front Rail(E).

NOTE: In this step, please make sure the magic tape of Seat Cushion Cover(F) sticks neatly to the bottom edge of the Front Rail(E).

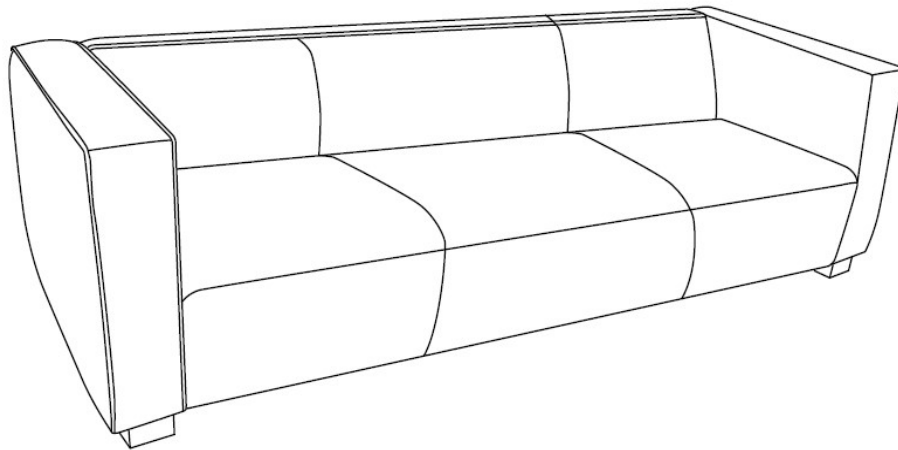
Step 14



Position Sofa right side up and test for stability.

**Notice: If a leg is not found to be level, slightly loosen the bolts under the sofa, press the Backrest, Arm or Seat Cushion to adjust until the 4 legs are level, then tighten all the bolts.**











Step 15



Your Sofa is ready for use.

**This Sofa can only be used on a flat, level surface.**

## Care & Maintenance

- ✓  ● Furniture may scratch floors. We recommend using furniture pads to protect your floors.
  - ⊘  ● Do not put hot items directly on furniture surface.
  - ⊘  ● Do not clean furniture with harsh cleansers or polish.
  - ⊘  ● Do not place furniture under direct sunlight.
  - ⊘  ● Do not place furniture near heating or cooling vents.
  - ⊘  ● Do not write on furniture without a padded barrier to protect the surface.
  - ⊘  ● Do not place furniture outside . For indoor use only.
  - ⊘  ● Not for commercial use. For residential use only.
  - ⊘  ● Stains may be removed with mild soap solution and damp cloth.
  - ⊘  ● Children should not climb or jump on the furniture.
- 
- ✓  ● Dust and pick-up spills using a clean, non-colored, lint-free cloth.