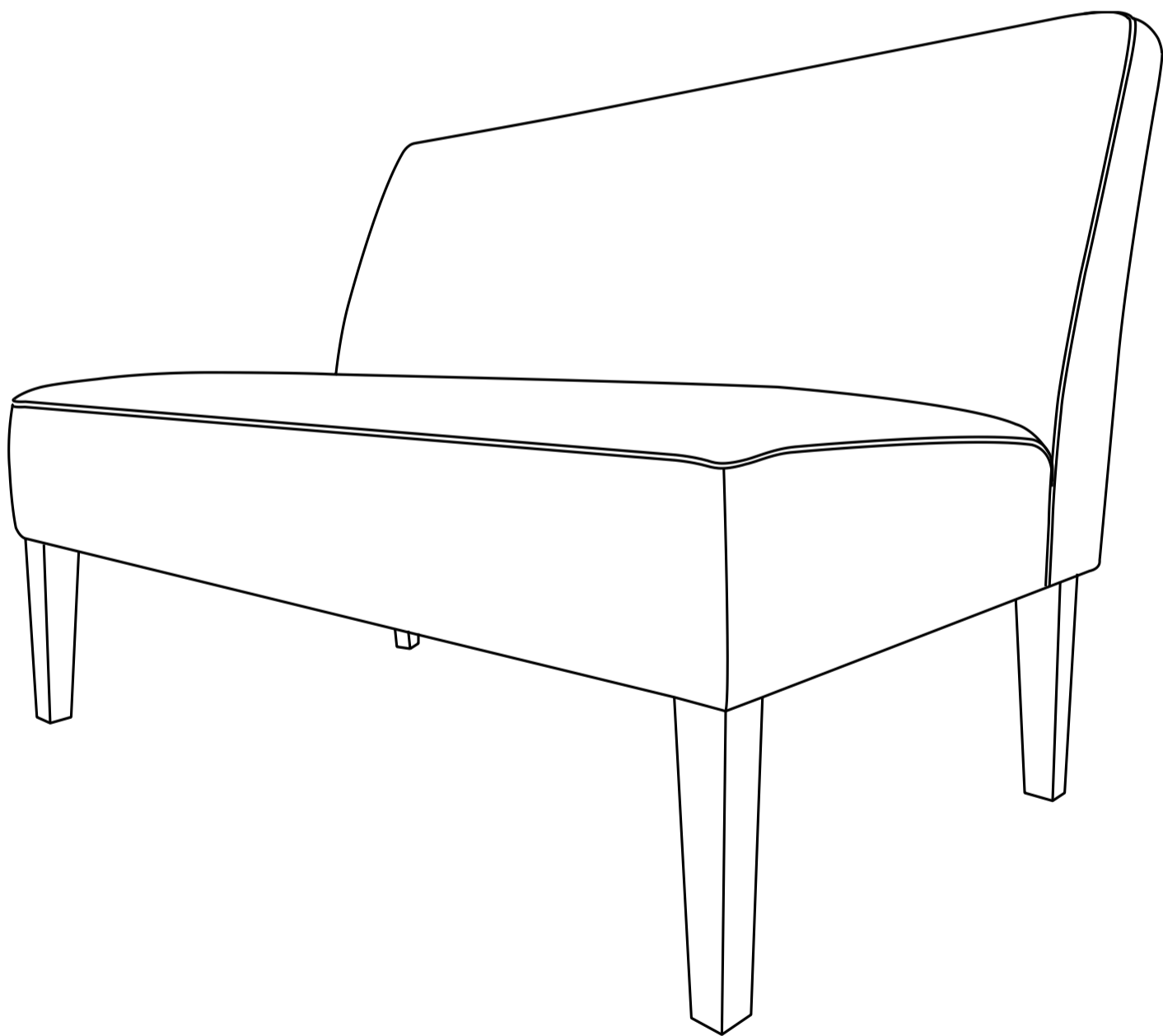


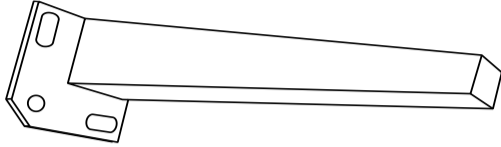
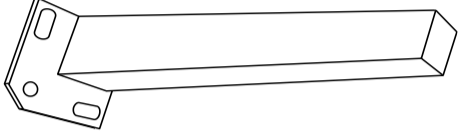
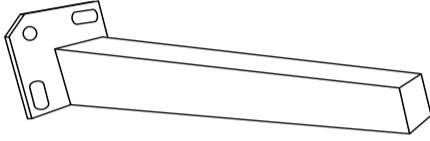
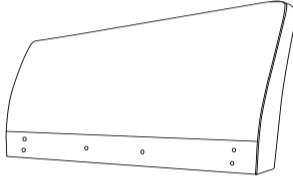
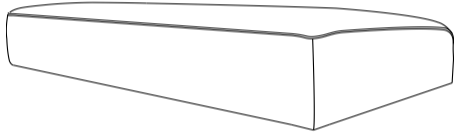
# Assembly Instructions

Caution: You must read this before you proceed.

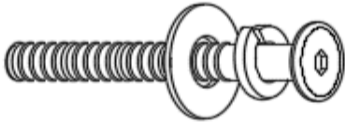
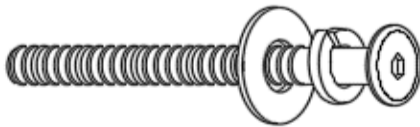

## LOVESEAT



## Parts List

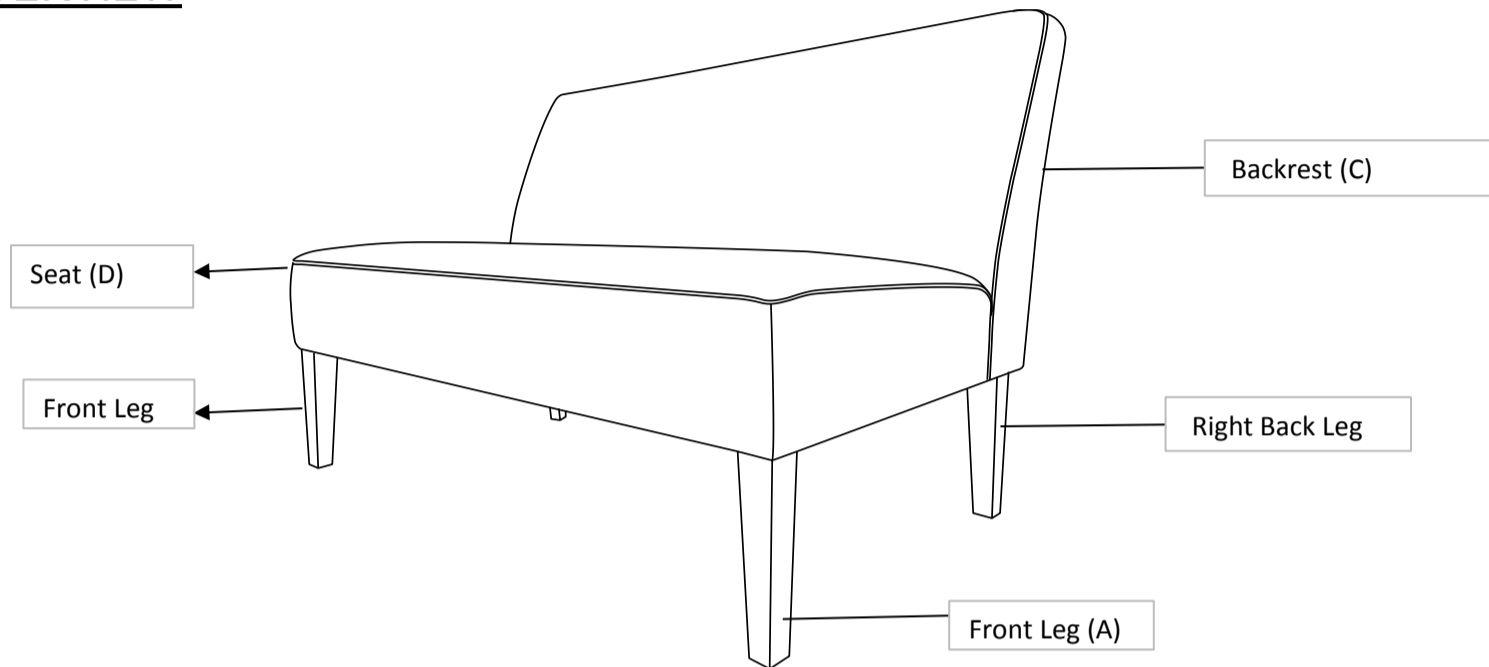
Label	Picture	Description	Qty
A		Front Leg	2
B1		Right Back Leg	1
B2		Left Back Leg	1
C		Backrest	1
D		Seat	1

## Hardware

Label	Picture	Description	Qty
①		Bolt Set (M6x30mm)	13
②		Bolt Set (M6x50mm)	7
③		ALLEN KEY M4	1

# Assembly Preparation

## OVERVIEW



This Loveseat has multiple parts and may require up to 30 minutes to assemble. To give you an overview of the Loveseat parts, the above picture is to help you put the various Loveseat parts into perspective. Please read through the instructions to familiarise yourself with the parts and steps before assembly.



- Read instructions, cover to cover-



- Have 2 adults on hand for assembly-



- Do not assemble on flooring or carpet-



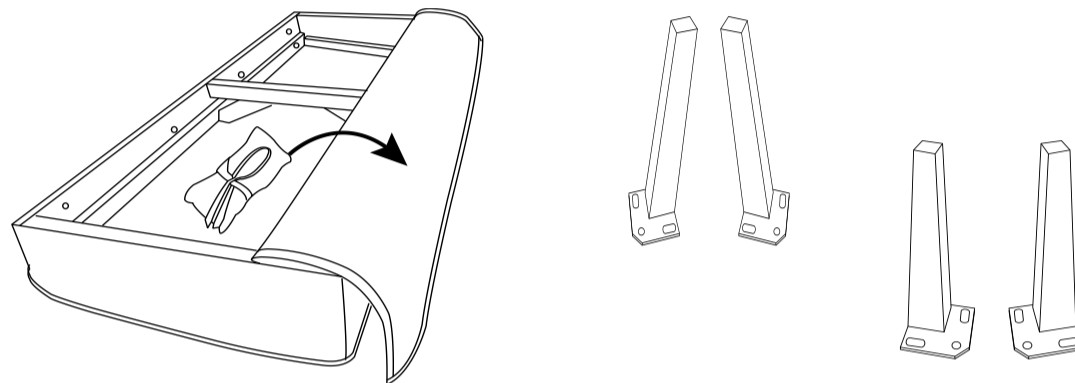
- Assemble on a clean non-marring surface (packing foam)-



- Save all packaging until finished-

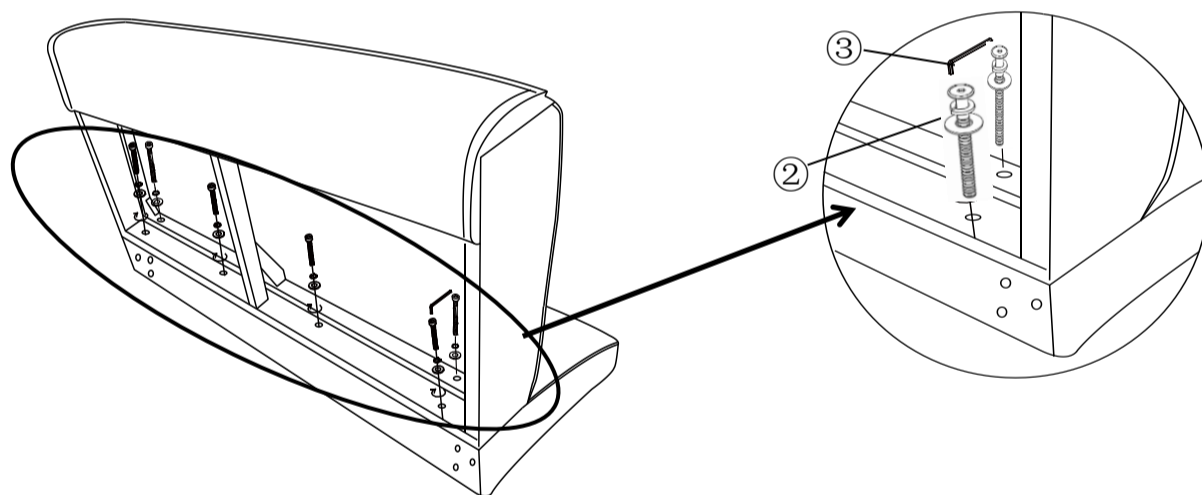
## Assembly Steps

### Step 1



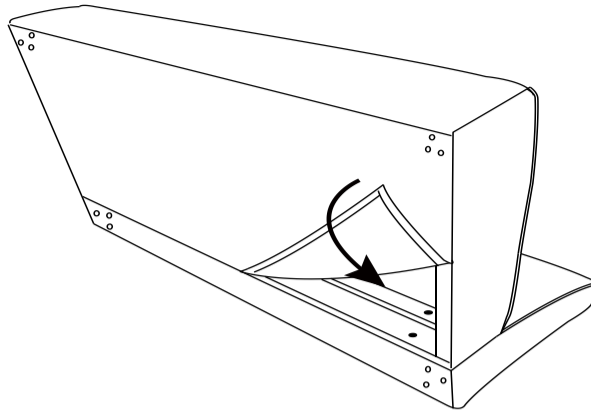
REMOVE the non-woven fabric from under the seat, take out the legs.

### Step 2



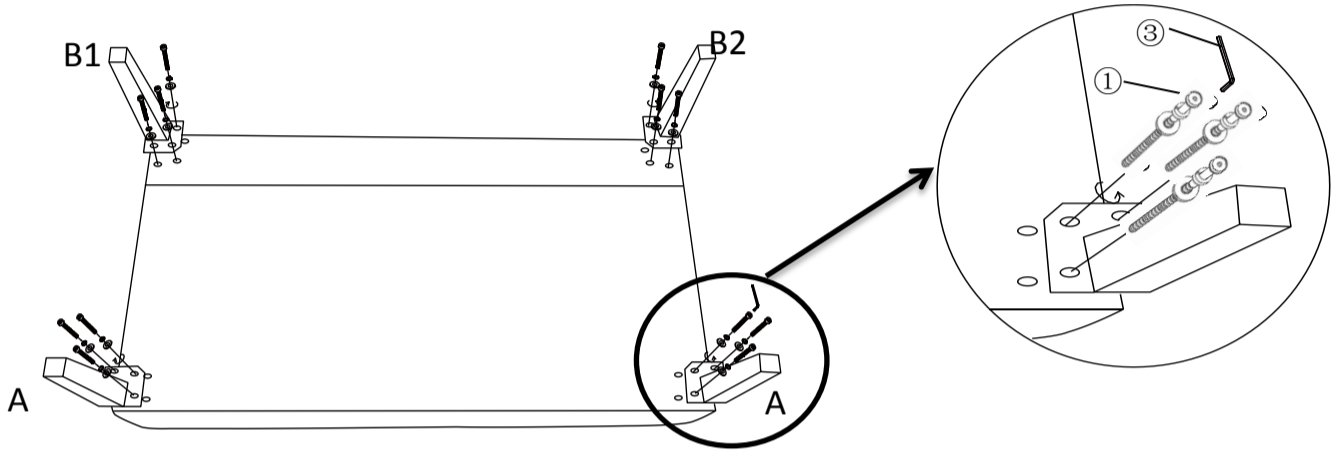
Put the Backrest onto a flat table or panel, insert the positioning dowels on the Seat panel to the mounting position on the Backrest panel.  
Attach the Seat(D) to Backrest (C) with the Bolt Set (M6x50mm)((2)). Use the Allen Key((3)) to fasten all six bolts.

### Step 3



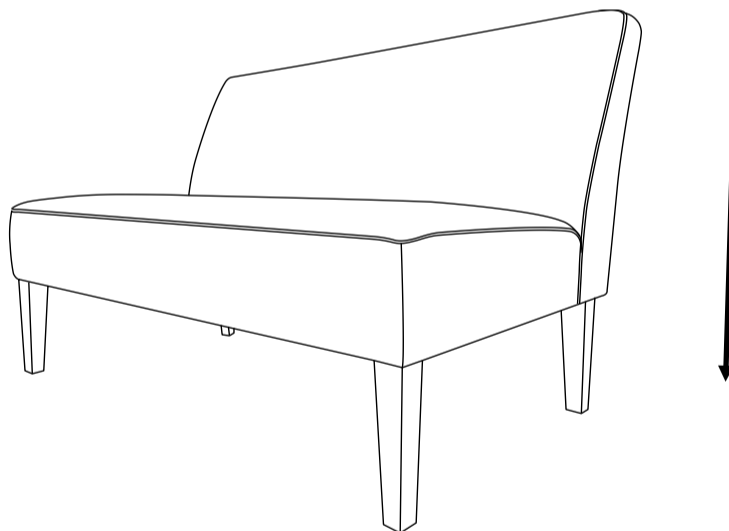
Place the velcro non-woven fabric cover back underneath the Seat(D)

### Step 4



Install the legs(A&B1&B2) to Seat by using the Bolt Set (M6x30mm)(①) as shown. Use the Allen Key(③) to fasten all bolts.  
Caution:Do not fully tighten.

### Step 5














Place the Loveseat on a LEVEL SURFACE to see if it wobbles.  
If it wobbles, press firmly down on Seat and Backrest at the same time. This will help to ensure all Bolts and gaps reach full alignment status.  
If no wobbles found, proceed to tighten all the bolts.DO NOT fully tighten a BOLT in one go and then move on to the next. Rather,In a sequential manner,gradually tighten each Bolt until all bolts are evenly secured.  
This methodology will ensure maximum evenness once all Bolts are fully tightened.  
Now tighten all the bolts untill the chair is not wobbling on the LEVEL SURFACE.

Your Loveseat is ready for use.

**This Loveseat can only be used on a flat, level surface.**

## Care & Maintenance

- ✓  • Furniture may scratch floors. We recommend using furniture pads to protect your floors.
- ⊘  • Do not put hot items directly on furniture surface
- ⊘  • Do not clean furniture with harsh cleansers or polish.
- ⊘  • Do not place furniture under direct sunlight.
- ⊘  • Do not place furniture near heating or cooling vents.
- ⊘  • Do not write on furniture without a padded barrier to protect the surface.
- ⊘  • Do not place furniture outside. For indoor use only.
- ⊘  • Not for commercial use. For residential use only.
- ⊘  • Stains may be removed with mild soap solution and damp cloth.
- ⊘  • Children should not climb or jump on the furniture.
- ✓  • Dust and pick-up spills using a clean, non-colored, lint-free cloth.

### What is Proposition 65?

Proposition 65 is a California law that requires warning labels on products that may contain one of more than 800-plus chemicals or ingredients that the California Office of Environmental Health Hazard Assessment (OEHHA) has deemed to cause cancer or other reproductive toxicity. Chemicals and elements on this list include wood dust, brass, and other everyday substances, which can be found in very common household items, such as: lamps, tableware, jewelry, crystal glasses, electric cords, beauty products, automobiles, and furniture.

### Why Did I Find a Proposition 65 Warning on My Home Goods Product?

We include Proposition 65 warnings on all of our products because there is always a chance that one of the 800-plus common chemicals and ingredients listed under this law could potentially be on our furniture or packing materials. We risk large fines under this law, if we don't include this warning.

### Should I worry?

We realize you may be worried finding this warning on our products, but we want to reassure you that the hazardous exposure limits for any of these chemicals have never been found on furniture products that we've shipped to our customers. Additionally, this warning label is very common and can be found on almost every piece of furniture sold in the state of California.

### Just How Common Are Proposition 65 Warnings?

Proposition 65 warnings have become so common in California that it is hard to take a trip to a local bank, grocery store, or restaurant without finding at least one warning. In fact, even the Disney Land Resort has a Proposition 65 warning: