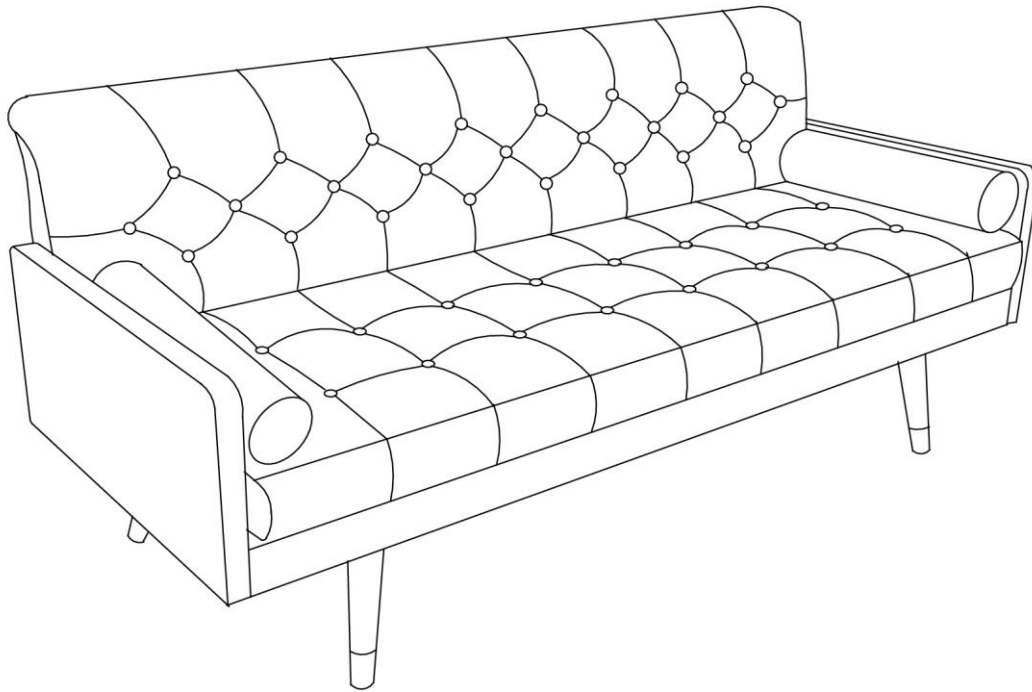


Assembly Instructions

Caution: You must read this before you proceed

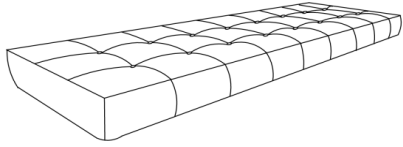
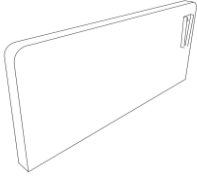
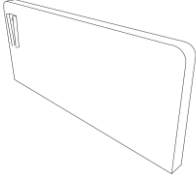
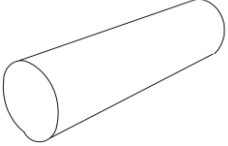

Please look in seat for hardware packs and legs.

Sofa










Parts List

Label	Picture	Description	QTY
A	A line drawing of a rectangular sofa base, which is a flat, shallow tray-like structure.	Sofa Base	1
B	A line drawing of a tufted sofa backrest, showing the diamond-shaped tufting pattern.	Sofa Backrest	1

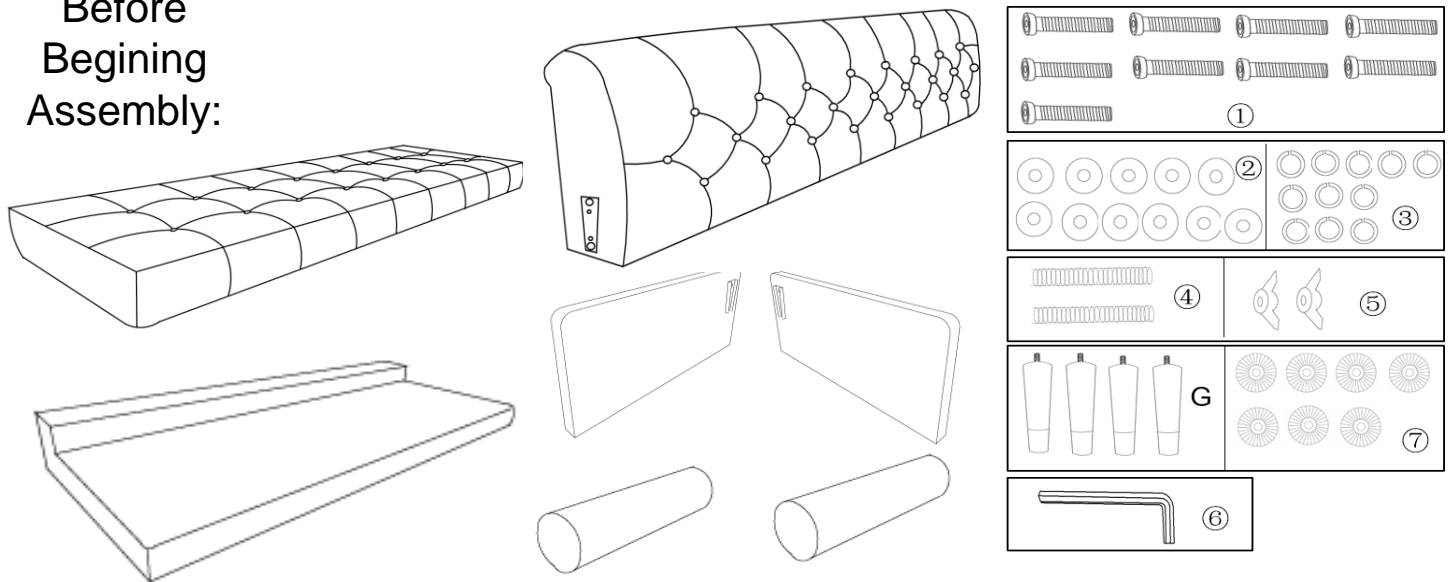
C		Seat Cushion	1
D		Left Arm Board	1
E		Right Arm Board	1
F		Arm Pillow	2
G		Wooden Leg	4

Hardware List

Label	Picture	Description	QTY
①		Bolt(Metric Thread M6*60mm)	9
②		Washer	11
③		Spring Washer	11
④		Double-threaded Bolt (Metric Thread M8*70mm)	2
⑤		Wing Nut	2
⑥		Allen Wrench	1
⑦		Gasket	7

Assembly Preparation

Before Beginning Assembly:



- Read instructions, cover to cover-



- Have 2 adults on hand for assembly-



- Do not assemble on flooring or carpet-

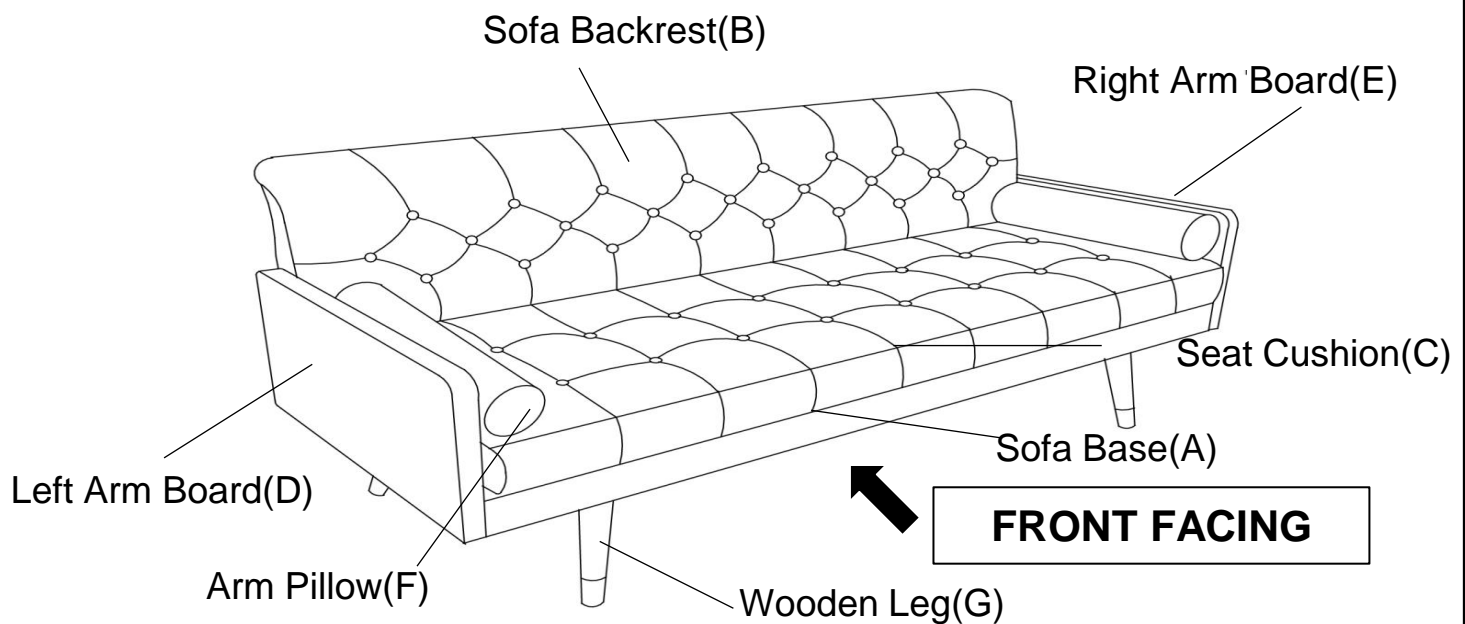


- Assemble on a clean non-marring surface (packing foam)-



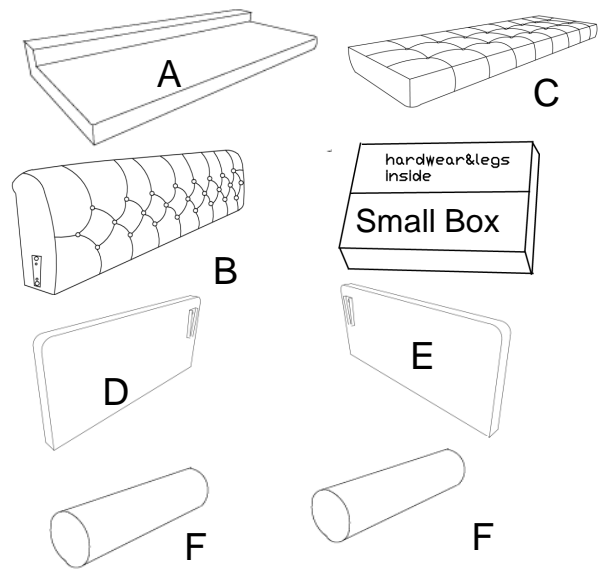
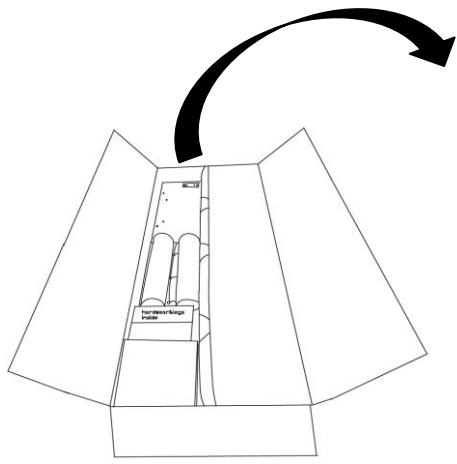
- Save all packaging until finished-

Assembly Steps



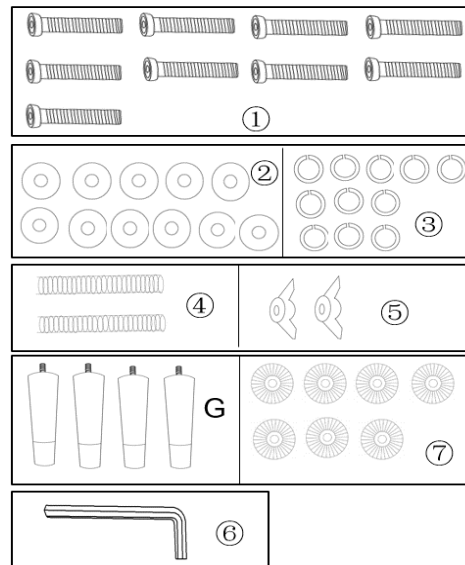
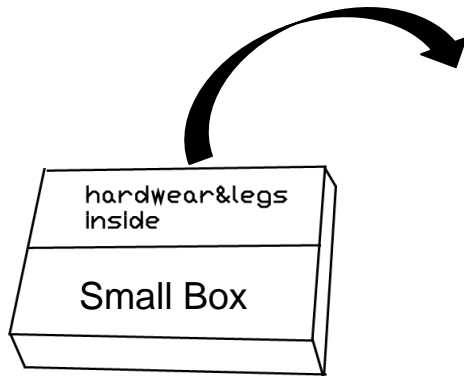
This Sofa has multiple parts and may require about 30 minutes to assemble. To give you an overview of the Sofa parts, the above picture is to help you put the various parts into perspective. Please read through the instructions below to familiarise yourself with the parts and steps before assembly.

Step 1



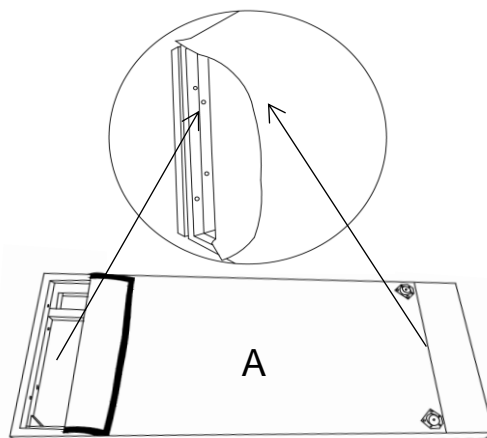
Take Sofa Back(B), Seat Cushion(C), Left Arm Board(D), Right Arm Board(E), Arm Pillows(F) and Small Box out of the carton and place them on a clean, non-marring surface.

Step 2



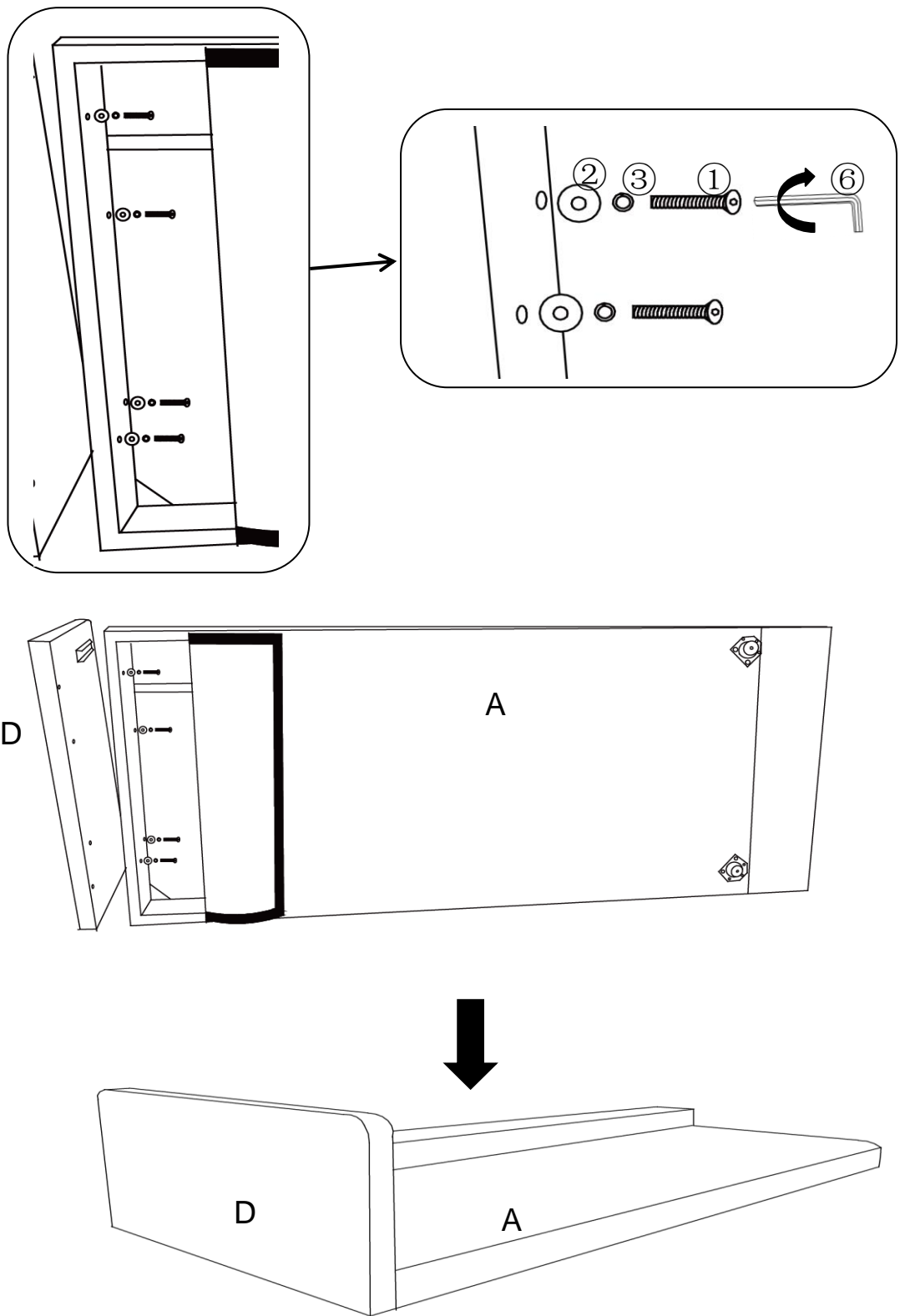
Open the Small Box and take out the Wooden Legs(G), Gaskets(⑦), Bolts(①), Washers(②), Spring Washers(③), Double-threaded Bolts(④), Wing Nuts(⑤), and Allen Wrench(⑥).

Step 3



Carefully peel back the left and right non-woven cover under the Seat Base(A) to expose the mounting positions.

Step 4

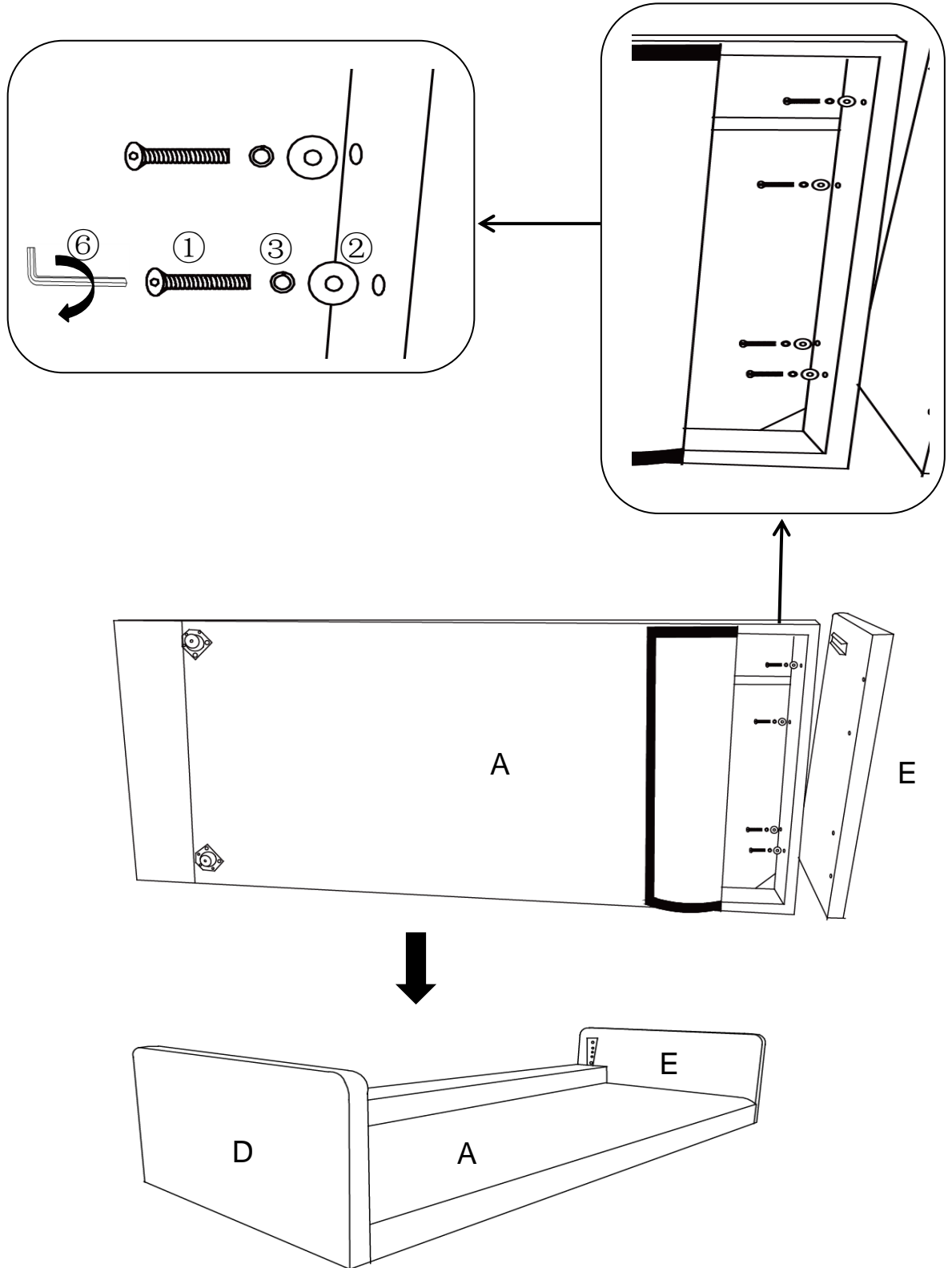


Align Left Arm Board(D) on the left side of the Sofa Base(A).

Attach Left Arm Board(D) to Sofa Base(A) using Bolts(①) Spring Washers(③), and Washers(②) with Allen Wrench(⑥).

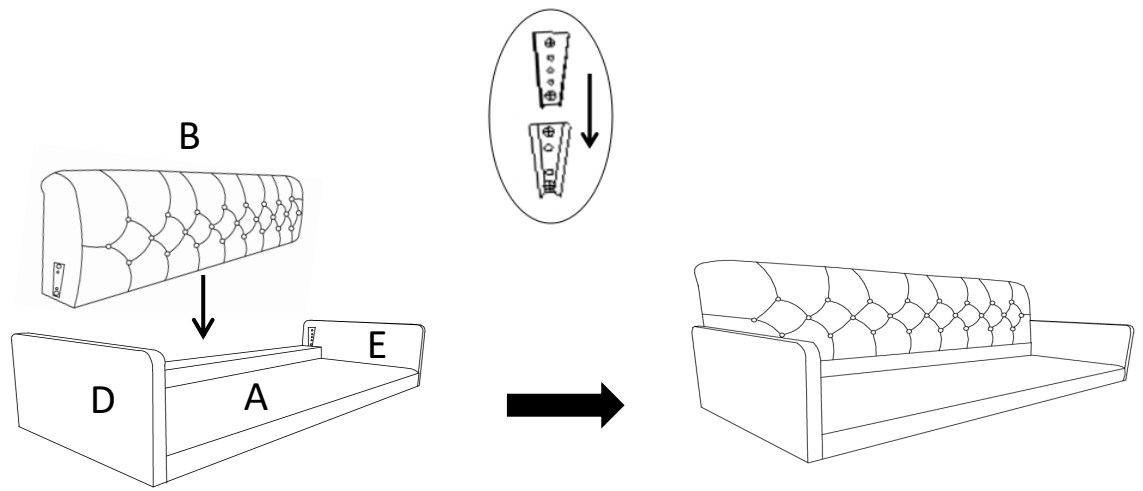
Tighten the Bolts fully in a sequential manner.

Step 5



Align Right Arm Board(E) on the right side of the Sofa Base(A).
Attach Right Arm Board(E) to Sofa Base(A) using Bolts(①) Spring Washers(③), and Washers(②) with Allen Wrench(⑥).
Tighten the Bolts fully in a sequential manner.

Step 6

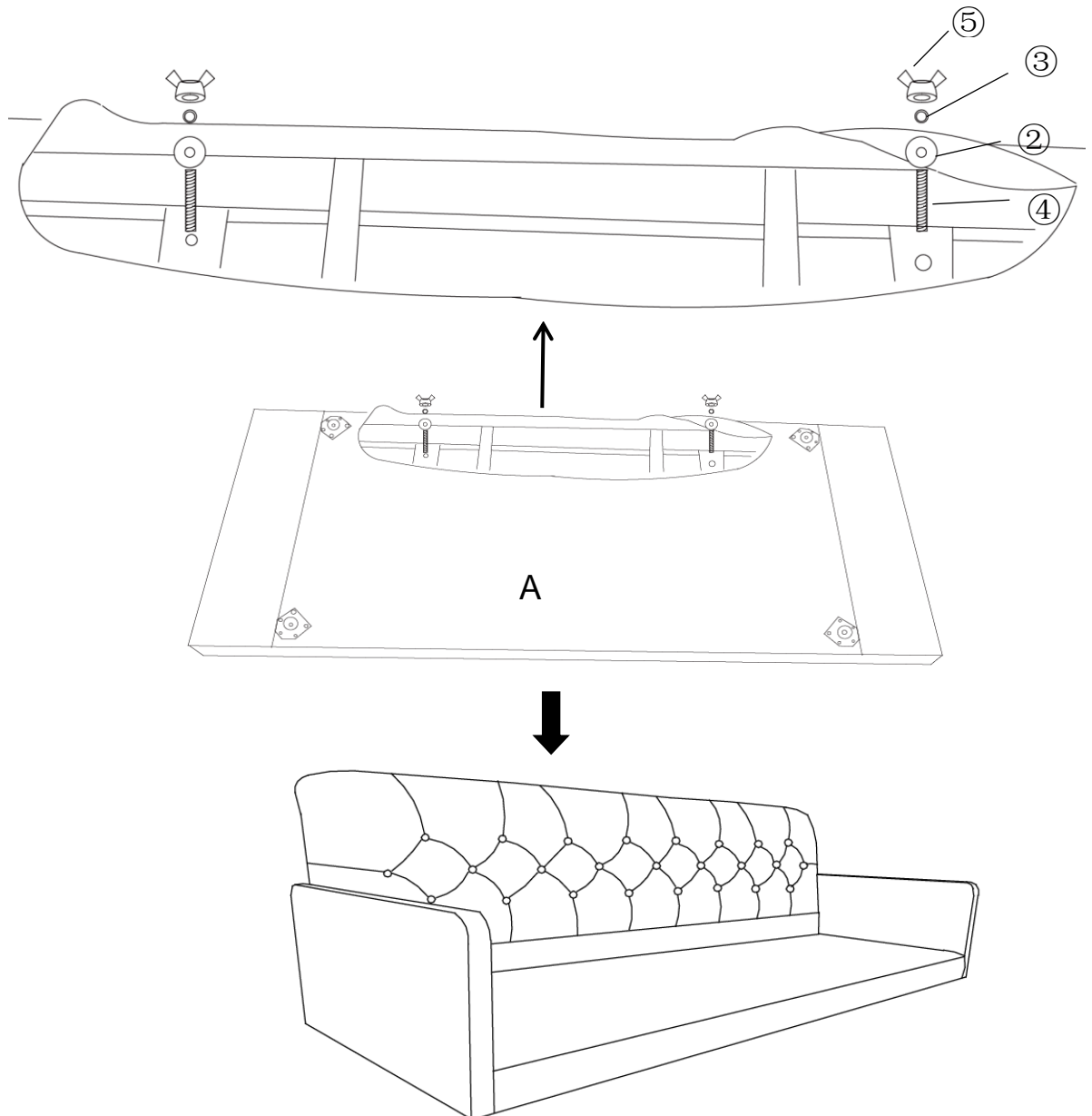


With assistance from your adult partner, hold up the Sofa Backrest(B), while standing behind the Sofa Base(A).

Align the mounting brackets on both sides of the Sofa Backrest(B) with those on the Left Arm Board(D) and Right Arm Board(E).

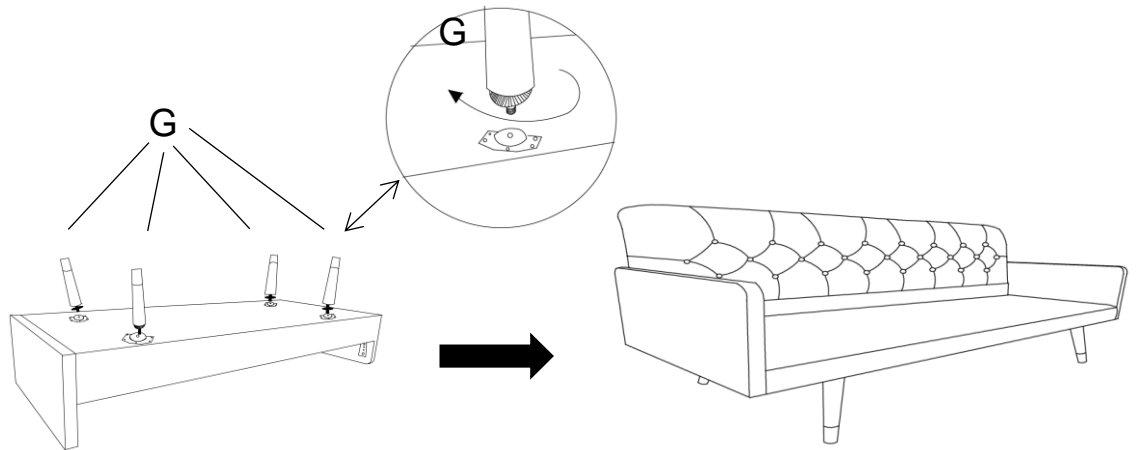
Then slide Sofa Backrest(B) downward by hand to make sure it locks into place as pictured.

Step 7



Open the back non-woven cover under Sofa Base(A).
 You will see two mounting positions on the back panel of the Sofa Base(A).
 Insert Double-threaded Bolts(④) into mounting positions and tighten clockwise by hand.
 Then, place Washer Rings(②) and Spring Washers(③) onto the Double-threaded Bolts(④), and secure using Wing Nut(⑤).
Tighten Wing Nuts fully by turning them clockwise by hand in a sequential manner.

Step 8

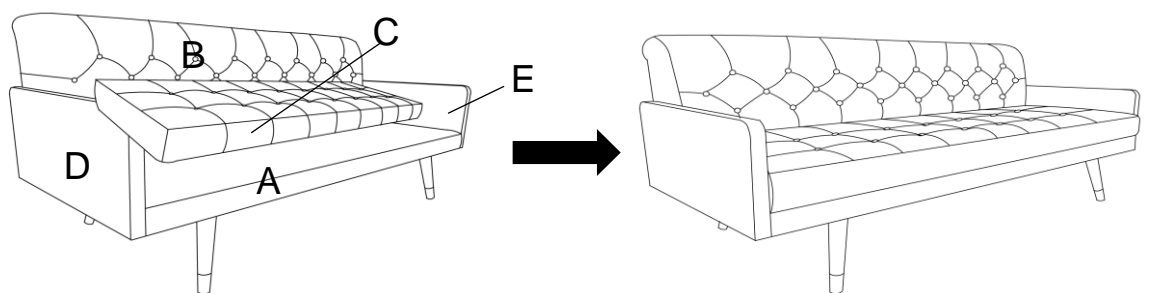


Install the Wood Legs(G) at the bottom of the Sofa by placing one Gasket(⑦) on the threaded stem.

Then insert threaded stem into the mounting position at the corner of the Sofa.
 Tighten by turning the Leg clockwise.

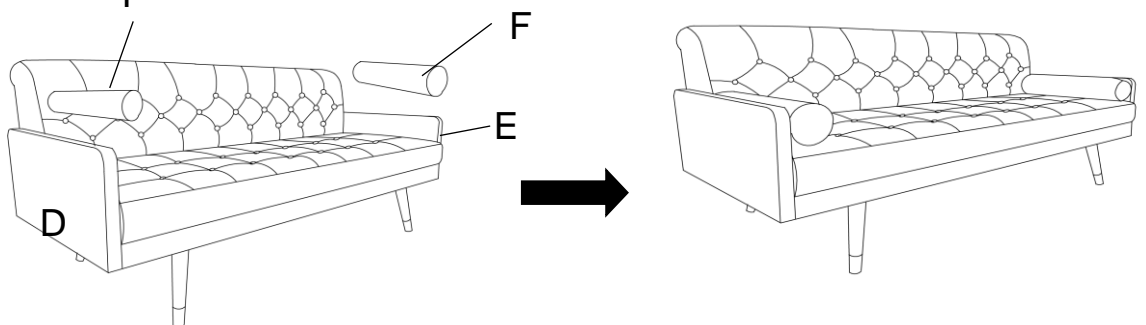
Note: The use of Gaskets are OPTIONAL and are especially useful to help alleviate slight wobbleness. Some Legs may need more than one Gasket whilst some Legs may not need any.

Step 9



Put the Seat Cushion(C) on the Sofa Base(A).

Step 10














Place Arm Pillows(F) against Left Arm Board(D) and Right Arm Board(E).

Your Sofa is ready for use.

This Sofa can only be used on a flat, level surface.

Care & Maintenance

	<ul style="list-style-type: none">● Furniture may scratch floors. We recommend using furniture pads to protect your floors.
	<ul style="list-style-type: none">● Do not put hot items directly on furniture surface.
	<ul style="list-style-type: none">● Do not clean furniture with harsh cleansers or polish.
	<ul style="list-style-type: none">● Do not place furniture under direct sunlight.
	<ul style="list-style-type: none">● Do not place furniture near heating or cooling vents.
	<ul style="list-style-type: none">● Do not write on furniture without a padded barrier to protect the surface.
	<ul style="list-style-type: none">● Do not place furniture outside . For indoor use only.
	<ul style="list-style-type: none">● Not for commercial use. For residential use only.
	<ul style="list-style-type: none">● Stains may be removed with mild soap solution and damp cloth.
	<ul style="list-style-type: none">● Children should not climb or jump on the furniture.
	<ul style="list-style-type: none">● Dust and pick-up spills using a clean, non-colored, lint-free cloth.