

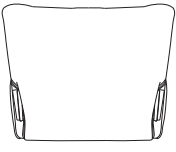

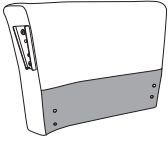
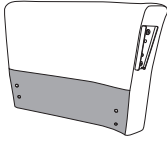
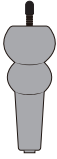
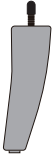
**USER MANUAL**  

---

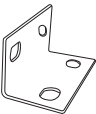


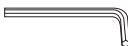
**Leisure Sofa**  
**HC-1002/1003**

**Attention:** This instruction contains important safety information, Please carefully read it and keep it for future reference.

# Parts List Make sure all the parts are in the package

① x1pc  Backrest	② x1pc  Seat frame	③ x1pc  Left Armrest	④ x1pc  Right Armrest	⑤ x2pcs  Front Leg	⑥ x2pcs  Rear Leg	
--	---	---	--	--	--	--

## Erecting Tools

A x4pcs 	B x16pcs M8 X 30mm 	C x4pcs 	D x1pc 			
--	--	--	---	--	--	--

## Attention

Please note that before tightening the screws firmly. You need to adjust all the connection parts to the appropriate position and make sure the 4 feet are stable on the ground, Until then you can tighten all the screws well.

## Installation Steps

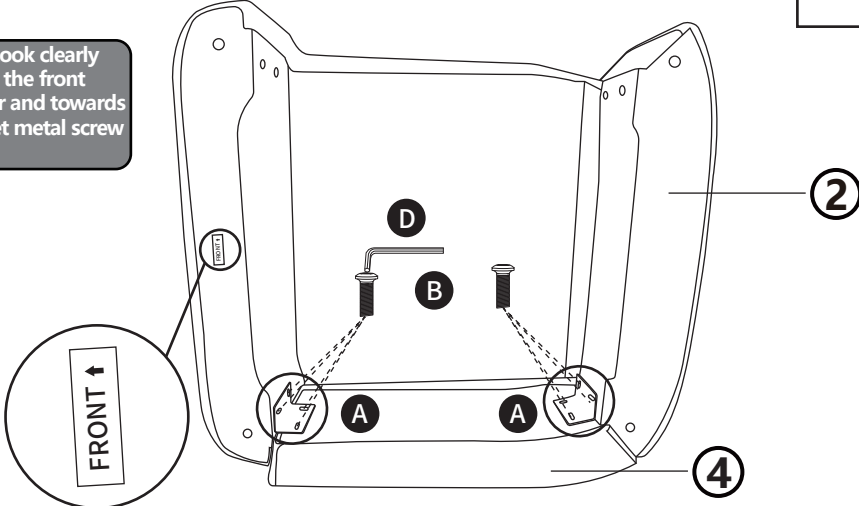





For the first time to install, Try not to install with



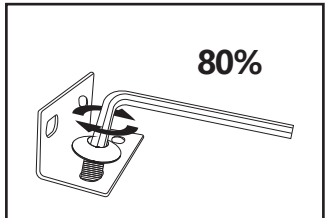
### Step 1

**Note:** Look clearly towards the front indicator and towards the sheet metal screw hole



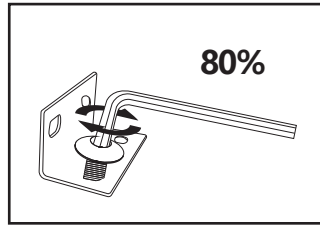
A x2pcs 	B x8pcs 	D x1pc 
--	--	---

**Note:** Screw to 80%



## Step 2

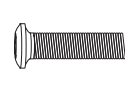
Note: Screw to 80%



A x2pcs



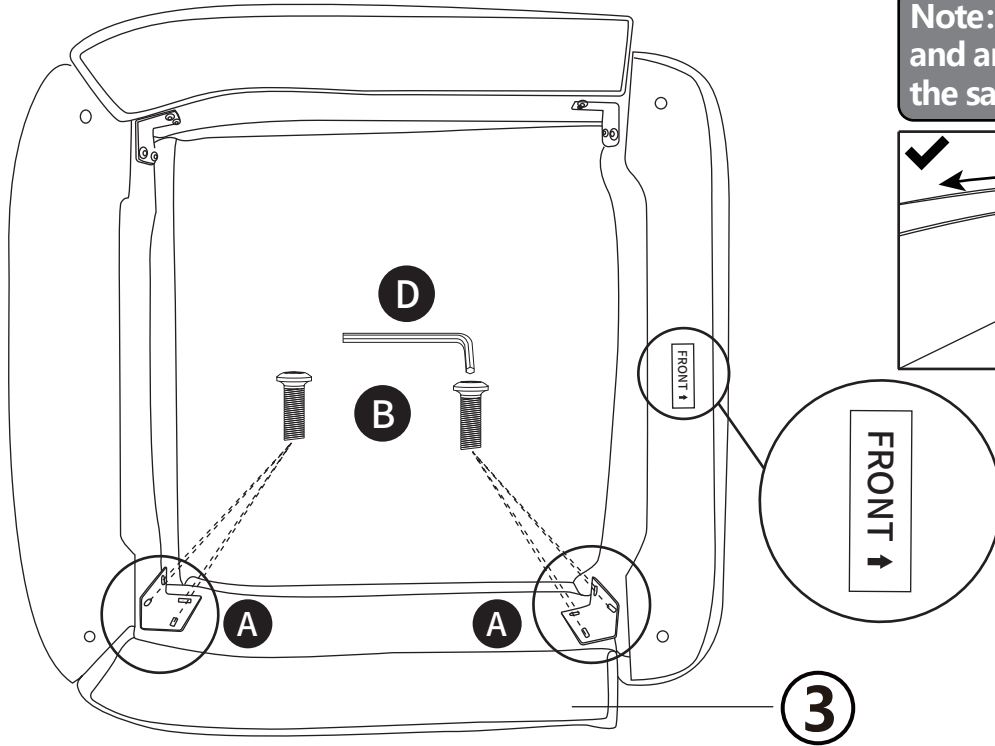
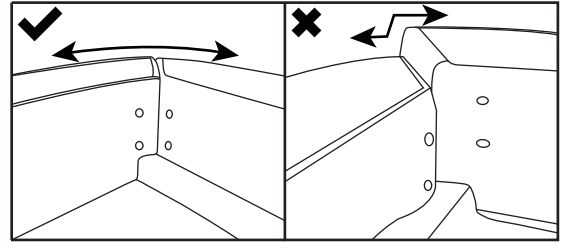
B x8pcs



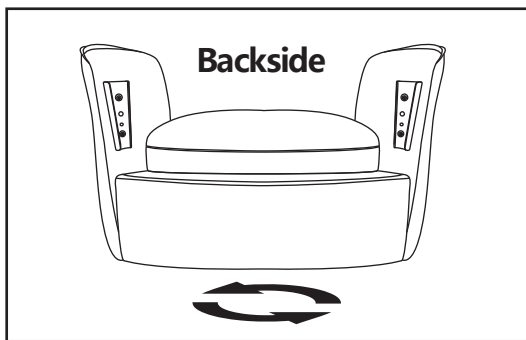
D x1pc



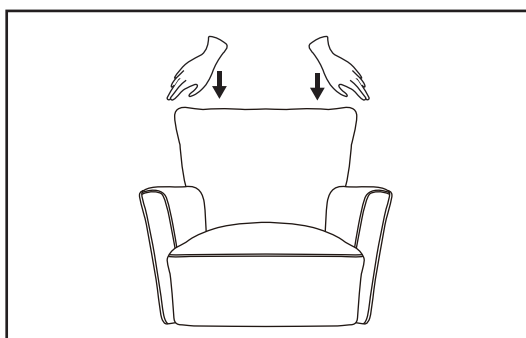
Note: The bottom of the backrest and armrest should be aligned at the same level



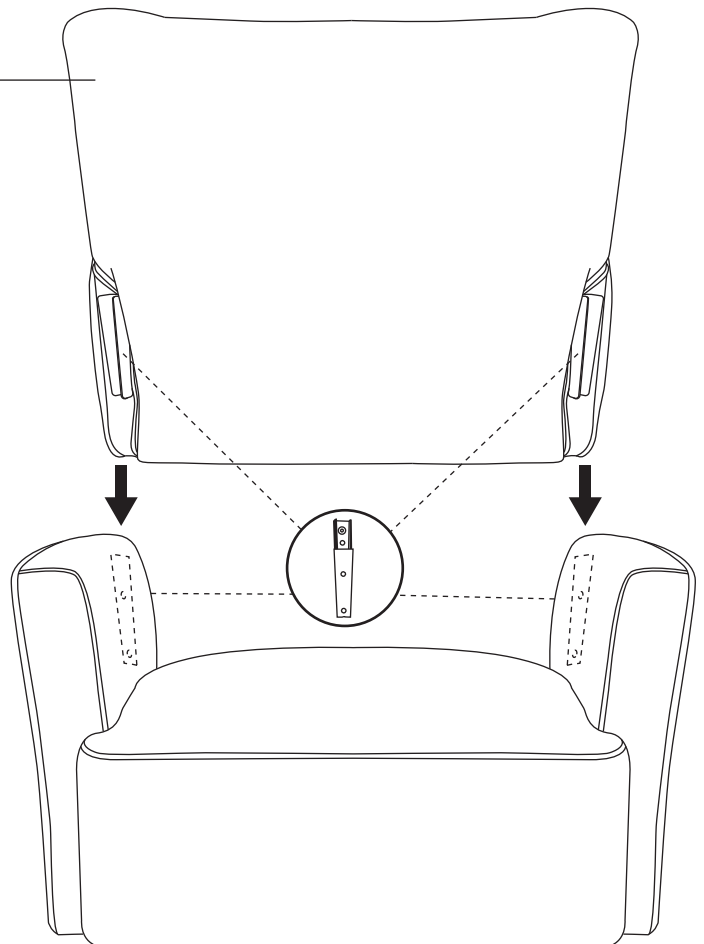
## Step 3



Note: Pay attention to the installation direction and press down on the back



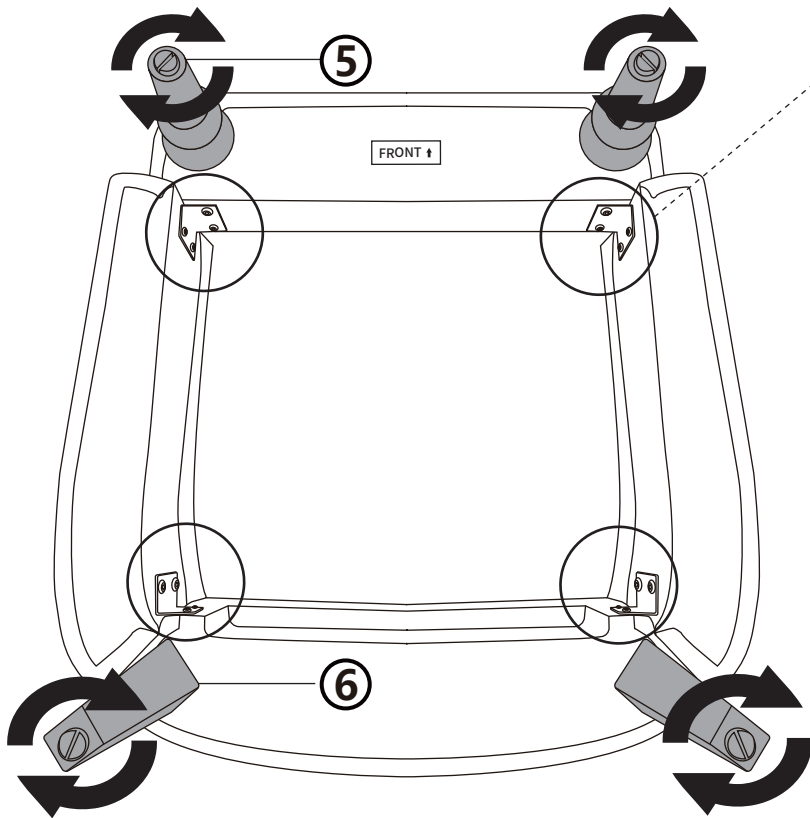
1



## Step 4

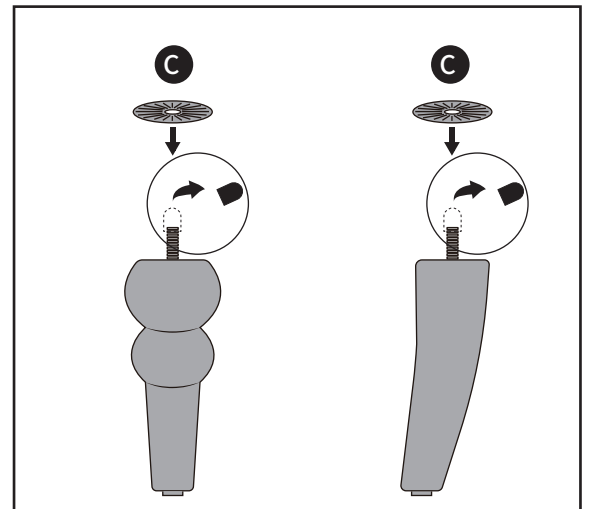
Note: Tighten all screws to 100%

C x4pcs



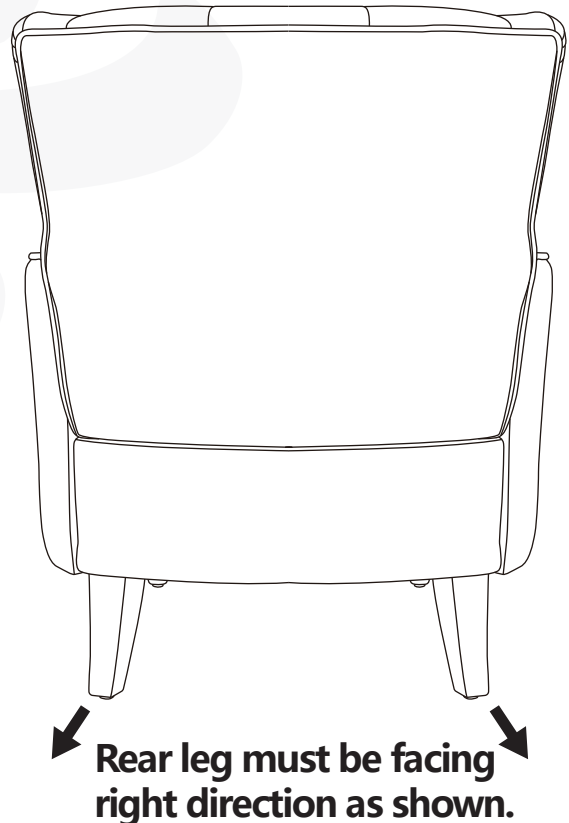
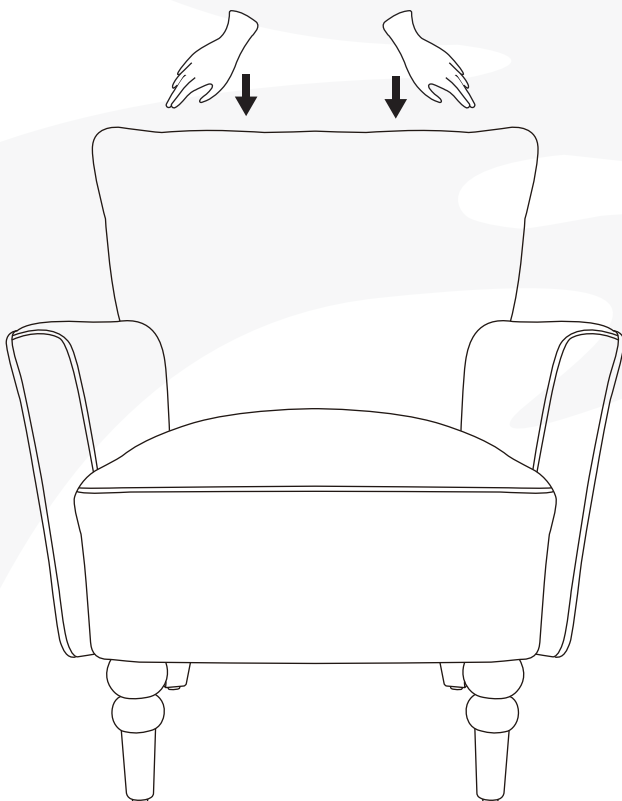
100%

Note: Before installing the wooden foot, Remove the protective case first, Then cover with non-slip plastic sheet



## Product Diagram

Note: Finally press down on the back again



Rear leg must be facing right direction as shown.