

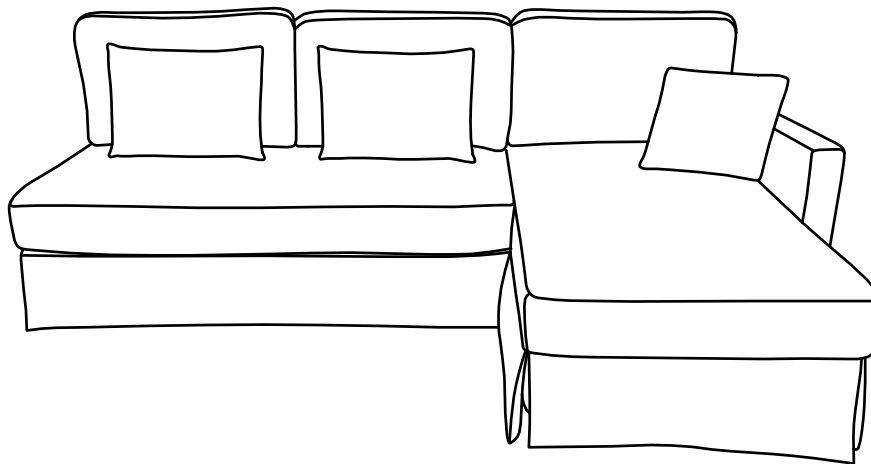
ASSEMBLY INSTRUCTION

WF531673

WF531674

Friendly Reminder:




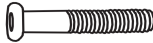


- 1.This sofa is packed in 2 boxes. Please assemble it After all boxes are received.
- 2.As the cushions are all vacuum compressed,there will be some wrinkles. Please give your cushions up to 72 hours to reach its original size and the wrinkles will basically disappear.
- 3.Please do not open the compressed packags until your sofa frame is completely assembled.


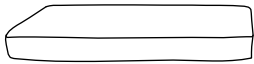

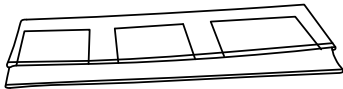




Return & Warranty policy:

- We strive to offer the highest quality products,and we also try our best to satisfy each and every customer that orders from us with replacement parts or service as needed.
- If the item is damaged or defective, please take photos as evidence for replacements and refunds.
- Please do not return to store,contact the seller if you have any troubles with this product.


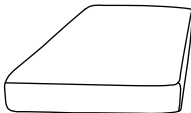
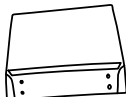



ASSEMBLY INSTRUCTION

HARDWARE			
NO	DESCRIPTION	SKETCH	QTY
1	Gasket		9
2	Washer		20
3	Screws 8X70		16
4	Screws 8X80		2
5	Butterfly nut		2
6	Wrench		1

PARTS LIST WF531673			
NO	DESCRIPTION	SKETCH	QTY
A	Loveseatframe		1
C	Loveseat cushion		1
E	Armrest		1
G	Back cover		1
H	Back cushion		1
L	Leg		9

ASSEMBLY INSTRUCTION

PARTS LIST WF531674

NO	DESCRIPTION	SKETCH	QTY
B	Chaise frame		1
D	Chaise cushion		1
F	Back frame		3
H	Back cushion		2
J	Big pillow		2
K	Small pillow		1

ASSEMBLY INSTRUCTION

All parts and hardwares.

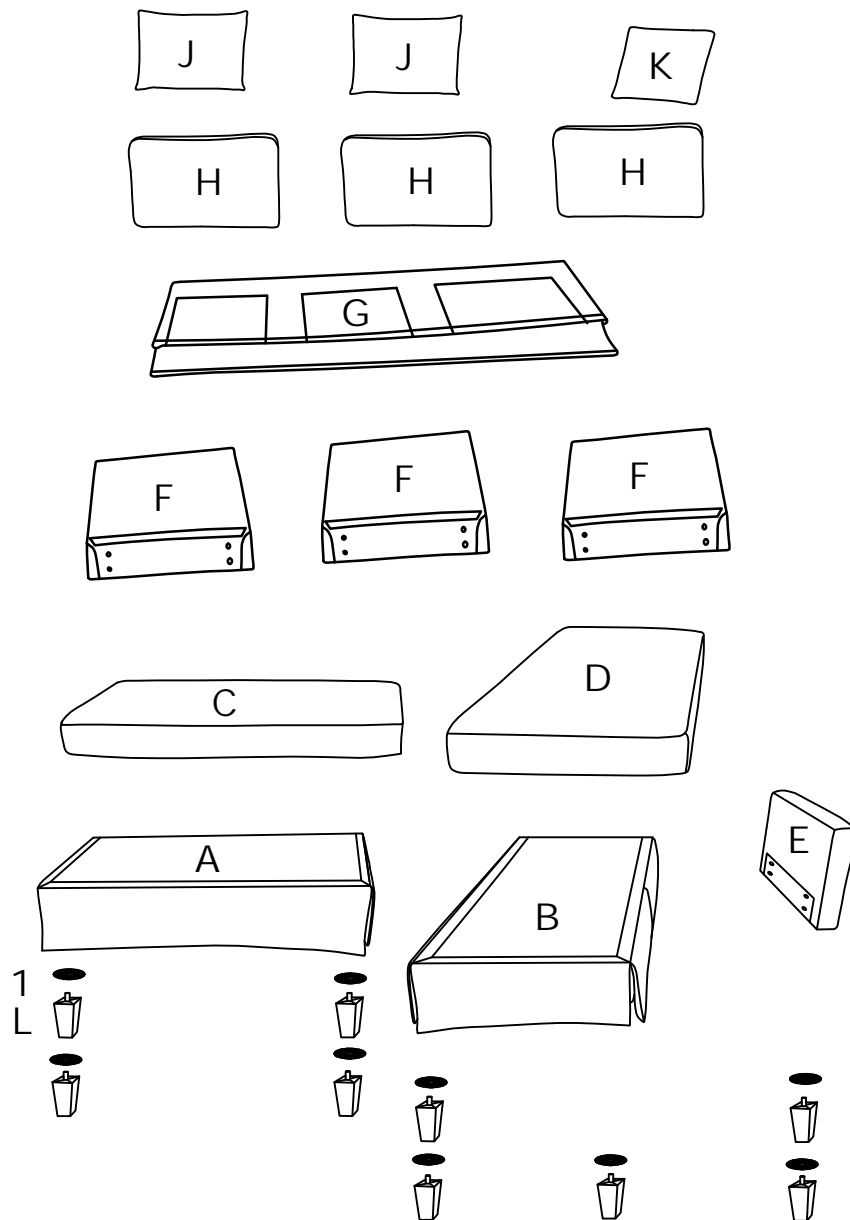

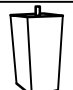
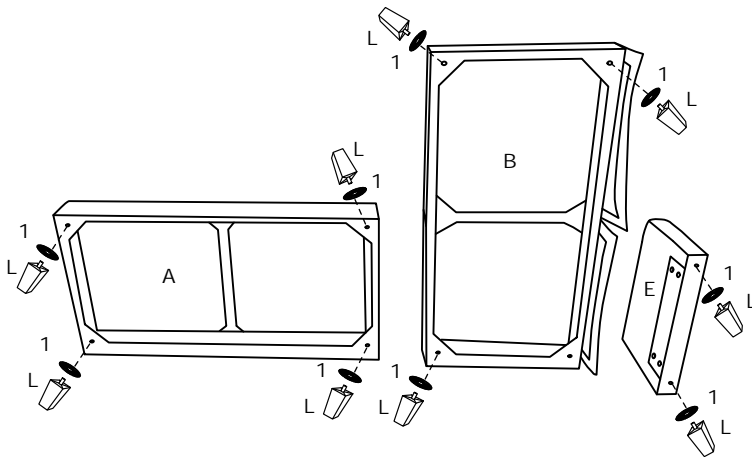


DIAGRAM 1 (Assemble the legs)

Assemble the Legs (Part L) on the Chaise frame (Part B) and Loveseat frame (Part A) and Armrest (Part E) with the Gaskets (Hardware 1) .

1		9PCS
L		9PCS



OR

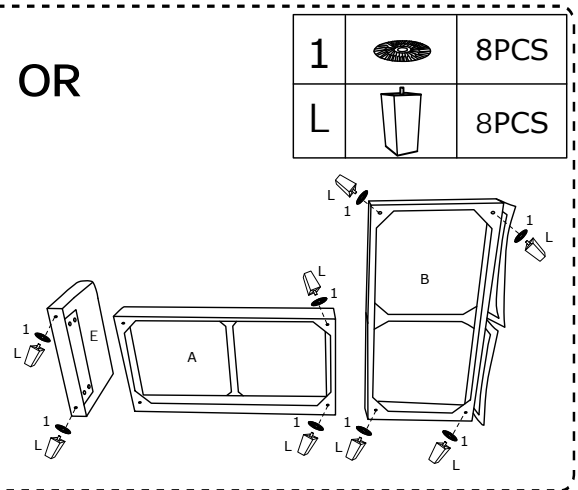




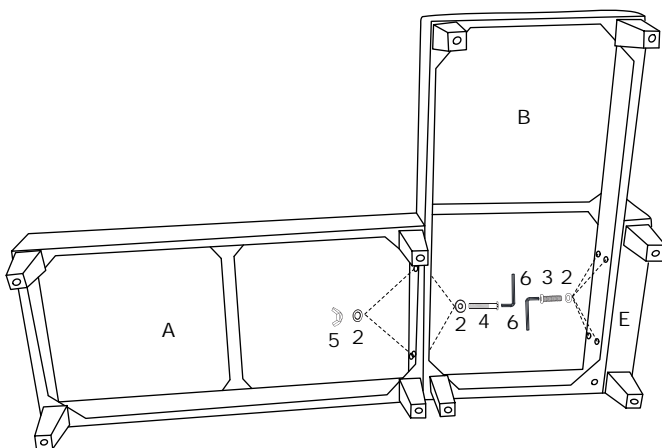


DIAGRAM 2 (Assemble the Seat frame)

Assemble the Armrest(Part E) and Chaise frame (Part B) with Washers(Hardware 2) and Screws(Hardware 3).

Assemble the Chaise frame (Part B) and Love frame (Part A) with Washers(Hardware 2) and Screws(Hardware 4)and Butterfly nut(Hardware 5).

2		8PCS
3	 M8X70	4PCS
4	 M8X80	2PCS
5		2PCS



OR

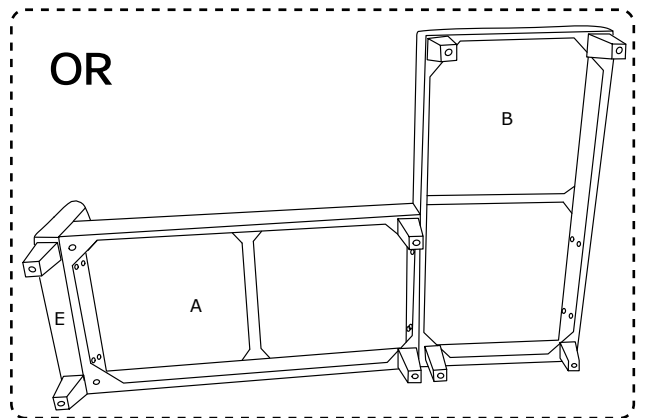




DIAGRAM 3 (Assemble the Back frame)

2		12PCS
3	 M8X70	12PCS

Assemble the Back frame (Part F) into the designated holes, using Washers (Hardware 2) and Screws (Hardware 3) to 70% tightness, and then tighten all the Bolts on the seat.

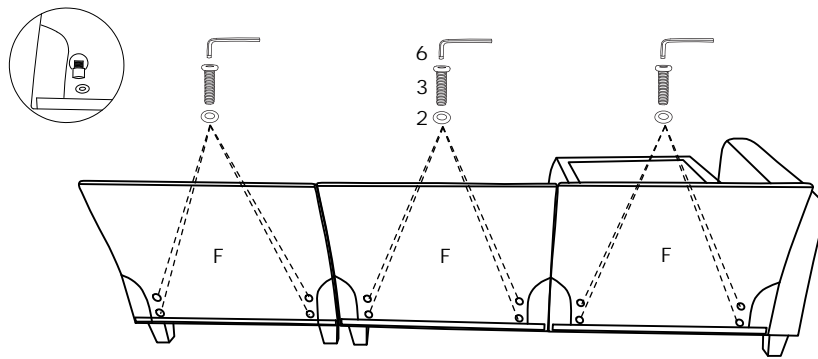


DIAGRAM 4 (Put the Back cover on the Back frame)

Place the Back cover (Parts G) on the Back frame.

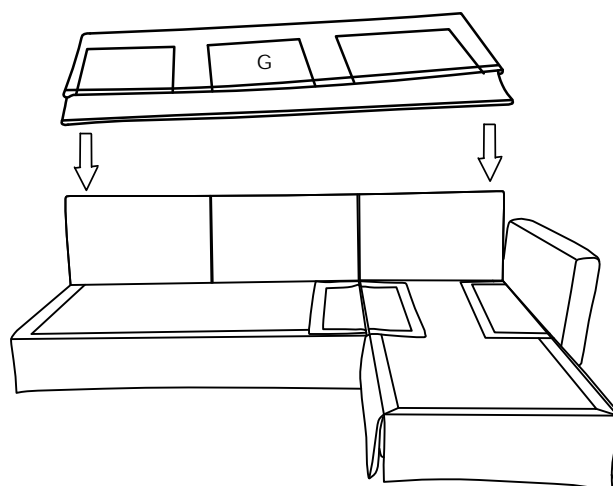
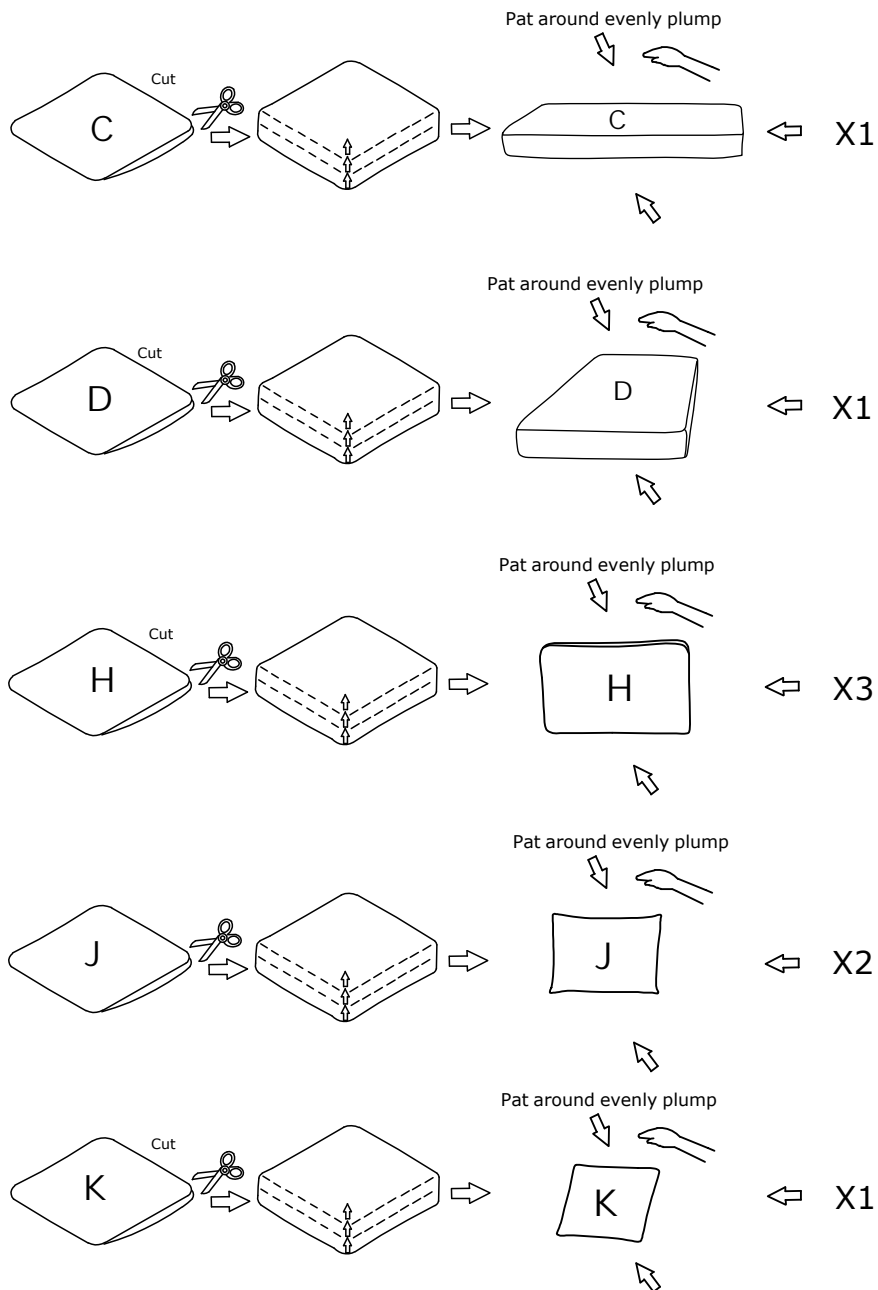


DIAGRAM 5 (Removal of compression bags)

Remove the Loveseat cushion (Part C) the Chaise cushion (Part D) the Back cushion (Part H) the Big pillow (Part J) the Small pillow (Part K).



TIPS

1. Please do not open the compressed packages until your sofa frame is completely assembled.
2. Compressed back cushions and pillows need to be fully fulfilled within 72 hours for your perfect use.
3. Please keep children away from plastic bags or any small pieces of stuff.

DIAGRAM 6 (Place the Cushion on the sofa)

Place the Loveseat cushions (Part C) and Chaise cushion (Part D) on the sofa.

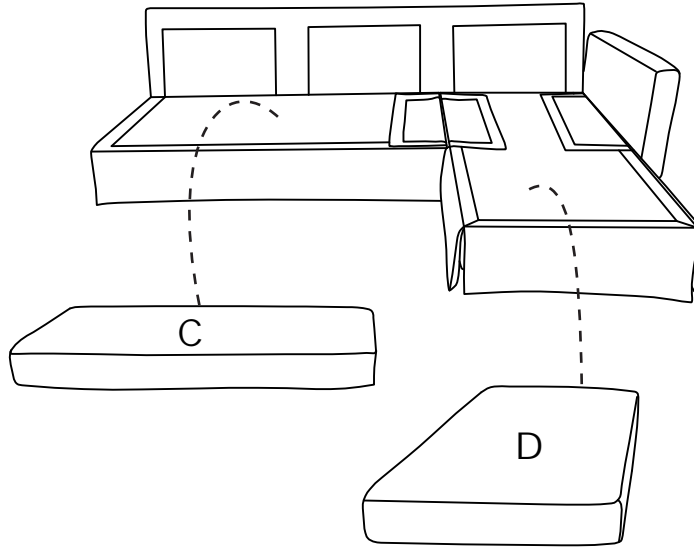
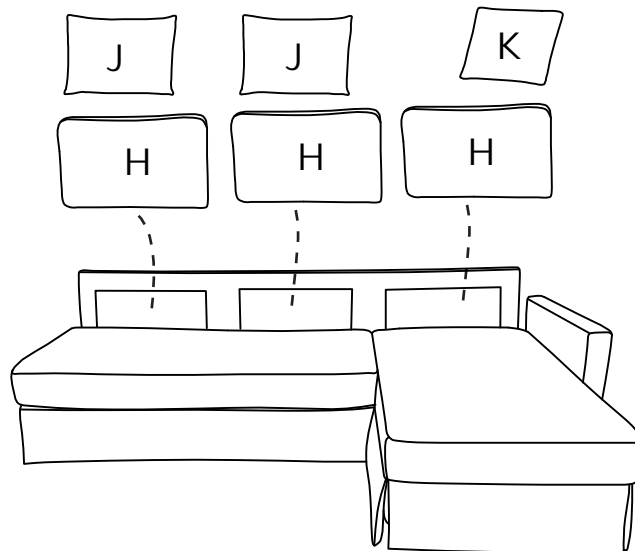


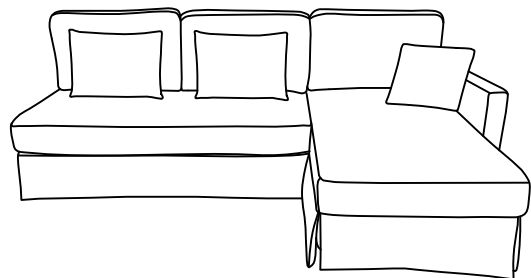
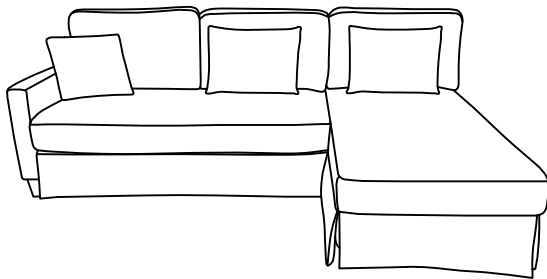
DIAGRAM 7 (Place the Cushion on the sofa)

Place the Back cushions (Part H) and Big pillow (Part J) and Small pillow (Part K) on the sofa.



TIPS

1. Please do not open the compressed packages until your sofa frame is completely assembled.
2. Compressed back cushions and pillows need to be fully fulfilled within 72 hours for your perfect use.
3. Please keep children away from plastic bags or any small pieces of stuff.



↓ OR

↓ OR

