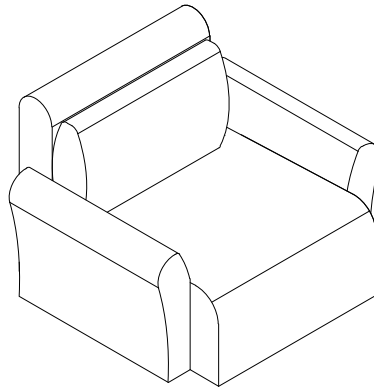


① ASSEMBLY INSTRUCTION

MODEL NO.HC5622



Components/QTY

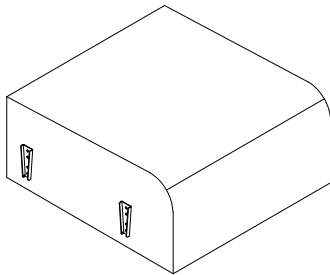
Components/QTY

Components/QTY

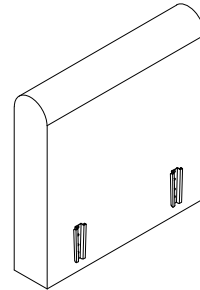
A 4PCS



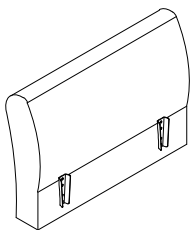
① 1PC



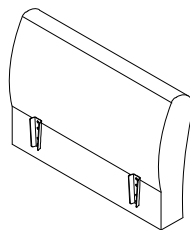
② 1PC



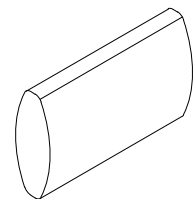
③ 2PCS



④ 1PC



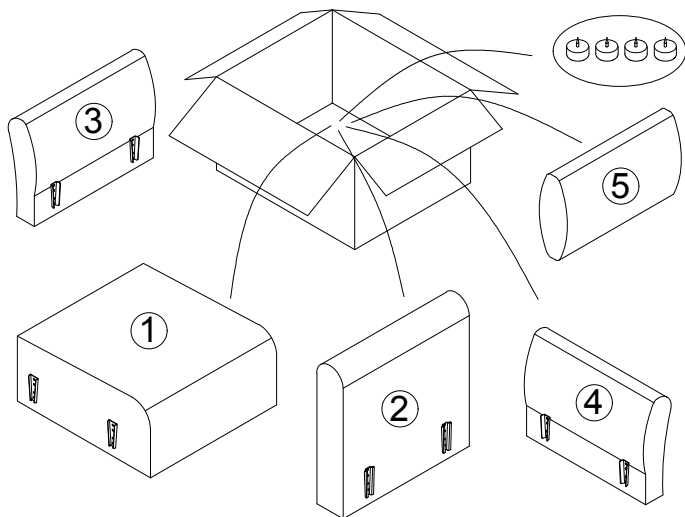
⑤ 1PC



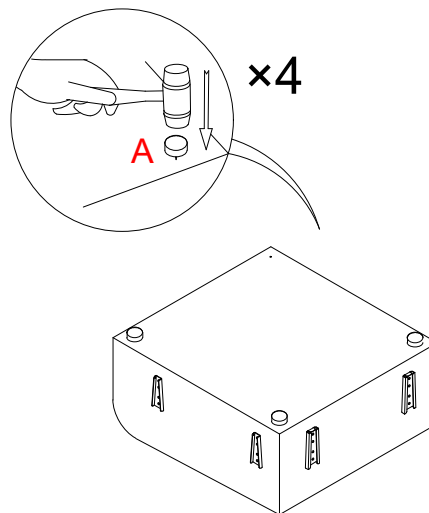
② ASSEMBLY INSTRUCTION

MODEL NO.HC5622

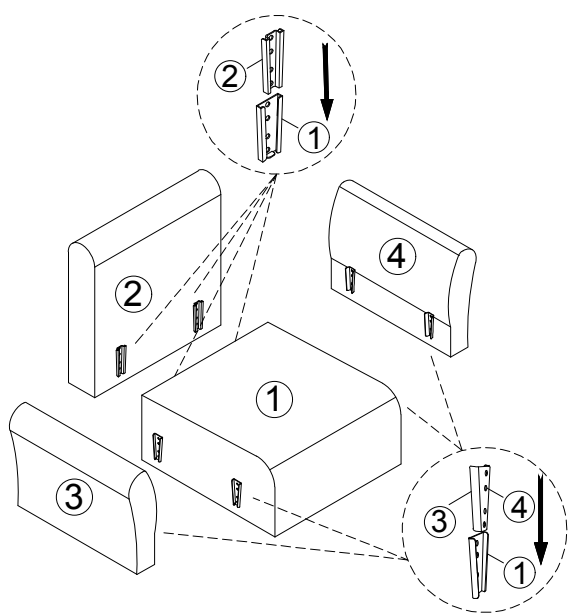
STEP 1



STEP 2



STEP 3



STEP 4

