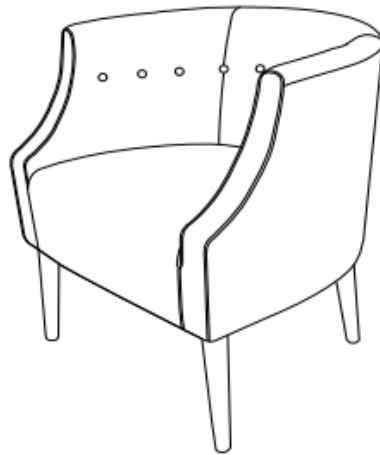



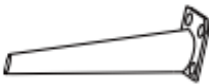
Assembly Instructions

Caution :You must read this before you proceed





Club Chair



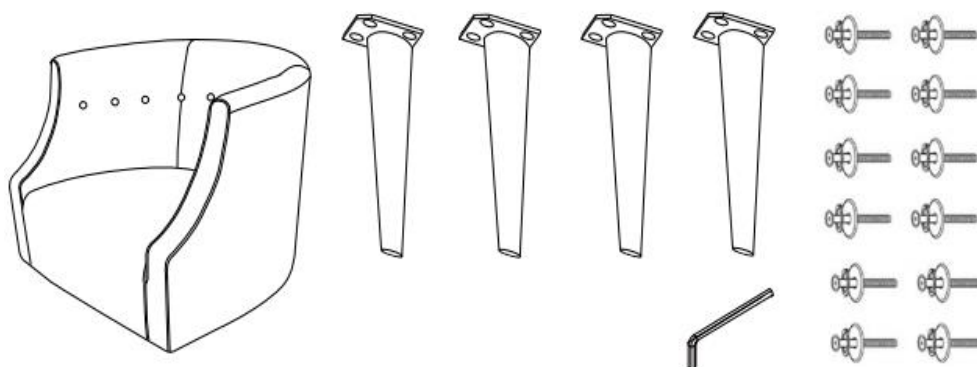
Parts List

Label	Picture	Description	QTY
A		Chair Base	1
B		Leg	4

Hardware

Label	Picture	Description	QTY
①		Allen Key	1
②		Bolt (M8X60)	13
③		Spring Washer Ring	13
④		Flat Washer Ring	13

Assembly Preparation



- Read instructions, cover to cover-



- Have 2 adults on hand for assembly-



- Do not assemble on flooring or carpet-

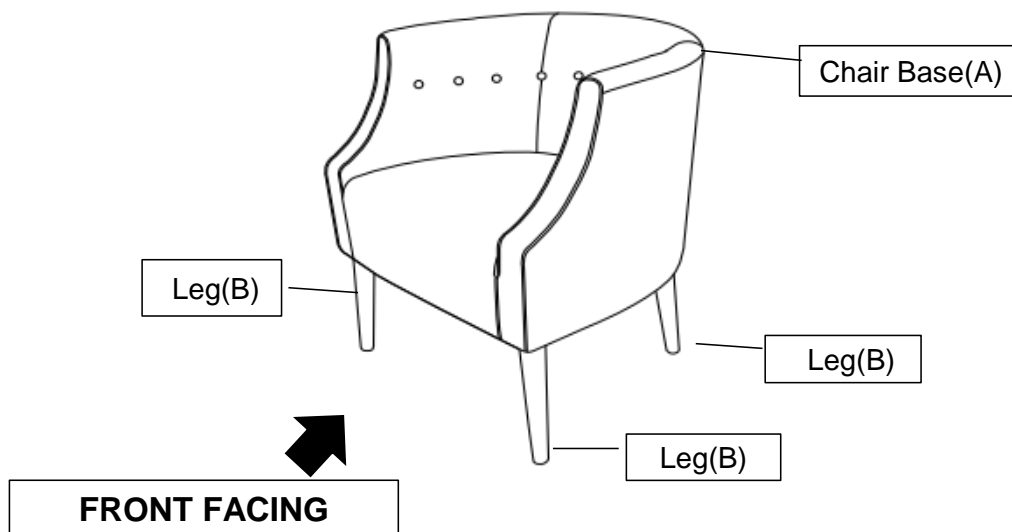


- Assemble on a clean non-marring surface (packing foam)-



- Save all packaging until finished-

Assembly Steps

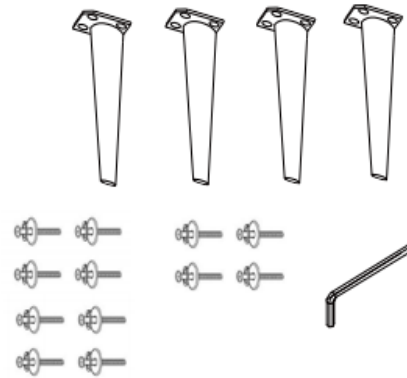
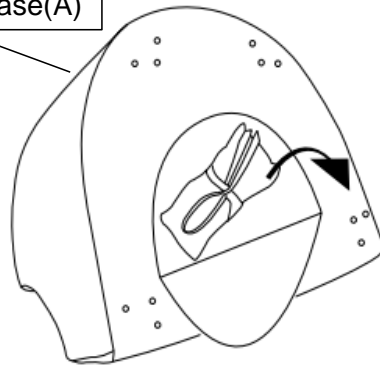


This Club Chair has multiple parts and may require up to some 30 minutes to assemble.

To give you an overview of the Club Chair parts, the above picture is to help you put the various parts into perspective. Please read through the instructions below to familiarise yourself with the parts and steps before assembly.

Step 1

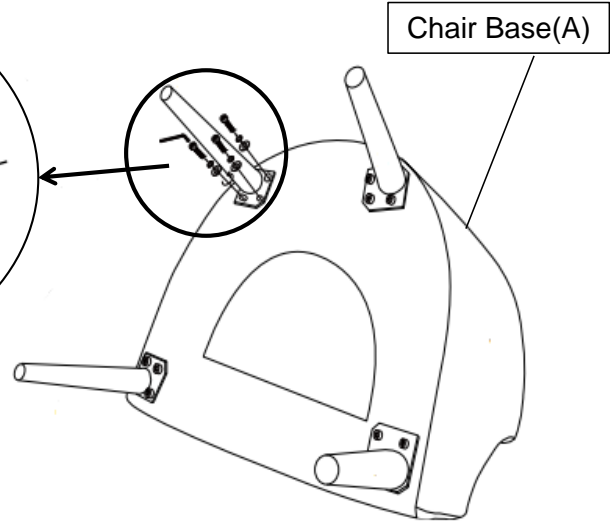
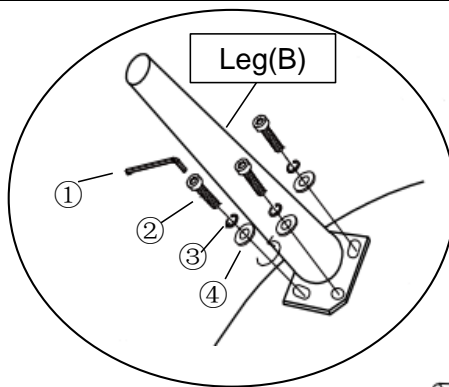
Chair Base(A)



Position the chair on its back, as shown.

Unzip to open pouch and remove the 4 wooden legs, close the pouch.

Step 2

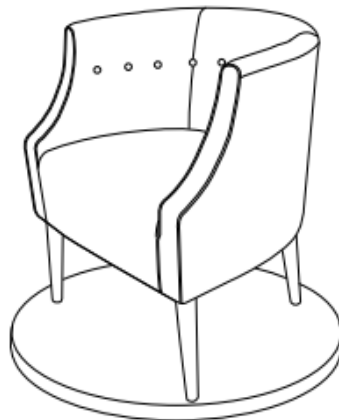


Install the Leg(B) to Chair Base(A) by using the Bolt(②) , Spring Washer Ring(③) , Flat Washer Ring(④) as shown. Use the Allen Key(①) to fasten all bolts.

Repeat the same process to install the remaining three Legs.

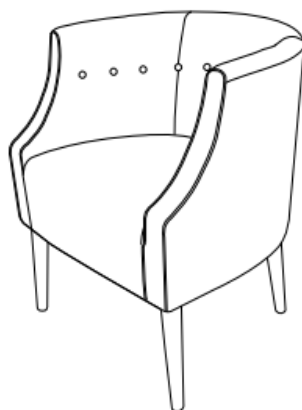
Caution: Do not fully tighten.

Step 3



Place the Chair on a LEVEL SURFACE to see if it wobbles.
If it wobbles, press firmly down on Seat and Armrests at the same time. This will help to ensure all Bolts and gaps reach full alignment status.
If no wobbles found, proceed to tighten all the bolts. DO NOT fully tighten a BOLT in one go and then move on to the next. Rather, In a sequential manner, gradually tighten each Bolt until all bolts are evenly secured.
This methodology will ensure maximum evenness once all Bolts are fully tightened.
Now tighten all the bolts until the chair is not wobbling on the LEVEL SURFACE.

Step 4



Your Club Chair is ready for use.
Your Club Chair can only be used on a flat, level surface.

Care & Maintenance



- Furniture may scratch floors. We recommend using furniture pads to protect your floors.



- Do not put hot items directly on furniture surface.



- Do not clean furniture with harsh cleansers or polish.



- Do not place furniture under direct sunlight.



- Do not place furniture near heating or cooling vents.



- Do not write on furniture without a padded barrier to protect the surface.



- Do not place furniture outside . For indoor use only.



- Not for commercial use. For residential use only.



- Stains may be removed with mild soap solution and damp cloth.



- Children should not climb or jump on the furniture.



- Dust and pick-up spills using a clean, non-colored, lint-free cloth.