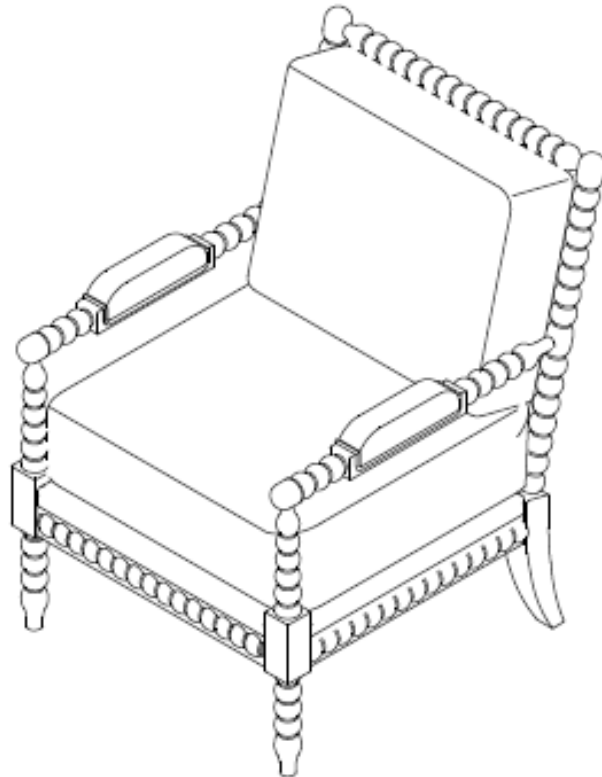




INDOOR LIVING



Silverthorne Spindle Chair

Item No. IF-1108, IF-1109, IF-1110, IF-1111, IF-1112,
IF-1113, IF-1114, IF-1115, IF-1182, IF-1183, IF-1184,
IF-1185, IF-1186, IF-1187

For assistance with assembly, please contact DTYStore.com Customer Satisfaction Center
866-217-8155 . CS@DTYStore.com

Made in Vietnam

Updated V. 12-2021

**Thank you for your
DTYStore Purchase!**

We want you to have the best experience possible.

If you have any issues with the assembly,
quality or performance of your product

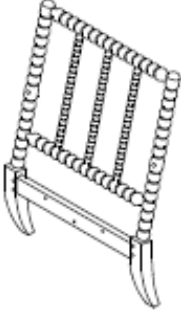
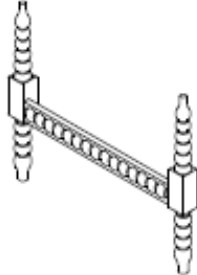
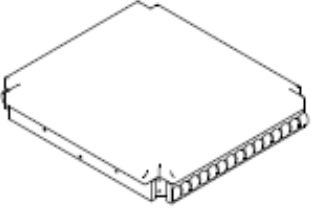
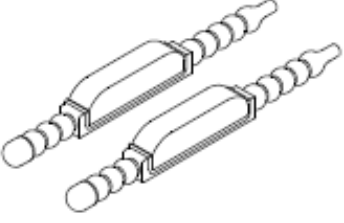
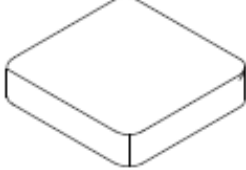
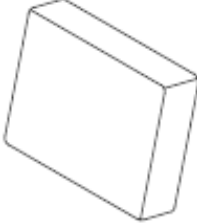
**PLEASE CONTACT OUR CUSTOMER CARE CENTER
BEFORE YOU RETURN IT.**

Email us at: CS@DTYStore.com









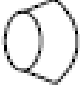
Pre-Assembly Instructions:

- Read all instructions carefully before assembly.
- Find a smooth clean area in which to work to avoid damaging your item.
- Check that all parts and hardware from the lists are present.
- Lay out parts in alphabetical order and hardware in numerical order to make them easier to find when you are ready to assemble
- Wait to dispose of packing material until assembly is complete to avoid accidentally disposing of small parts or hardware
- Tools required: Allen wrench (included), Phillips Screwdriver not included
- Please use caution and care when lifting the product to avoid injury
- For ease of assembly two people are recommended

Parts List:

<p>A . Back Leg Frame Qty : 01</p>  A line drawing of the back leg frame, showing a rectangular structure with four vertical slats and a curved base.	<p>B . Front Leg Frame Qty : 01</p>  A line drawing of the front leg frame, showing a horizontal bar with four vertical supports and a curved base.
<p>C . Seat Frame Qty : 01</p>  A line drawing of the seat frame, showing a square-shaped frame with a central rectangular cutout.	<p>D . Armrest Qty : 02</p>  A line drawing of two armrests, each consisting of a curved top section and a cylindrical base.
<p>E . Cushion Seat Qty : 01</p>  A line drawing of a square-shaped cushion seat.	<p>F . Cushion back Qty : 01</p>  A line drawing of a rectangular cushion back.

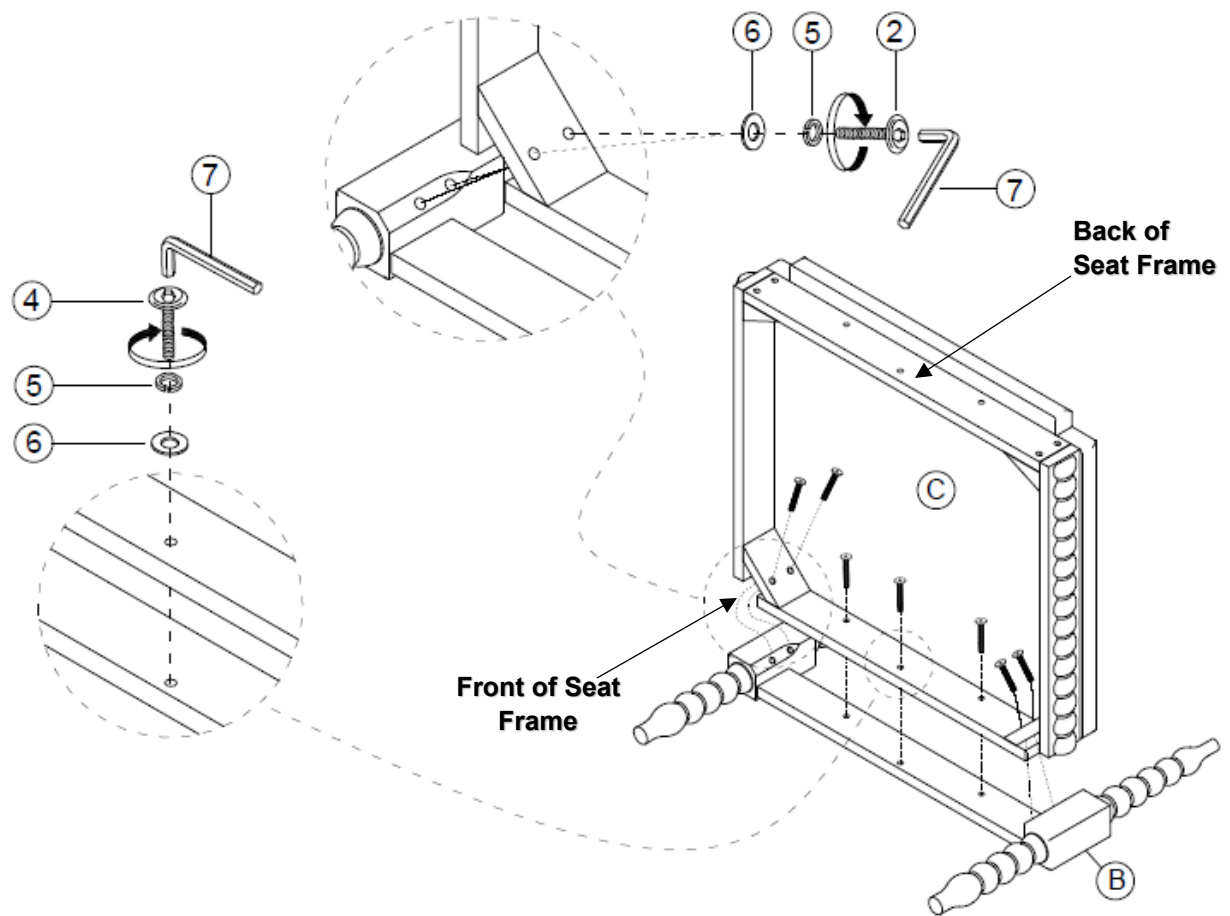
Hardware List:

<p>1. Bolt Qty: 4</p>  <p>Size 6x80mm</p>	<p>2. Bolt Qty: 4</p>  <p>Size 6x60mm</p>	<p>3. Bolt Qty: 2</p>  <p>Size 6x50mm</p>
<p>4. Bolt Qty: 6</p>  <p>Size 6x35mm</p>	<p>5. Spring Washer Qty: 14</p>  <p>Size 6x10mm</p>	<p>6. Flat Washer Qty: 14</p>  <p>Size 6x20mm</p>
<p>7. Allen Wrench Qty: 1</p>  <p>Size 4mm</p>	<p>8. Screw Qty: 2</p>  <p>Size 4x35mm</p>	<p>9. Wood Plug Qty: 2</p> 

Assembly Instructions:

Step 1

- A. Lay Front Leg Frame(B) on a clean flat surface, place the front of the Seat Frame (C) on top of Front Leg Frame(B) the corners of the Seat Frame (C) should fit around the legs of the Front Leg Frame (B). Use three Bolts (4), three Spring Washers (5), and three Flat Washers (6), to attach the Front Leg Frame (B) to the middle of the Seat Frame (C) once all three bolts are started fully tighten all bolts
- B. Use four Bolts (2), four Spring Washers (5), and four Flat Washers (6), to attach the Front Leg Frame (B) to the corners of the Seat Frame (C) fully tighten corner bolts

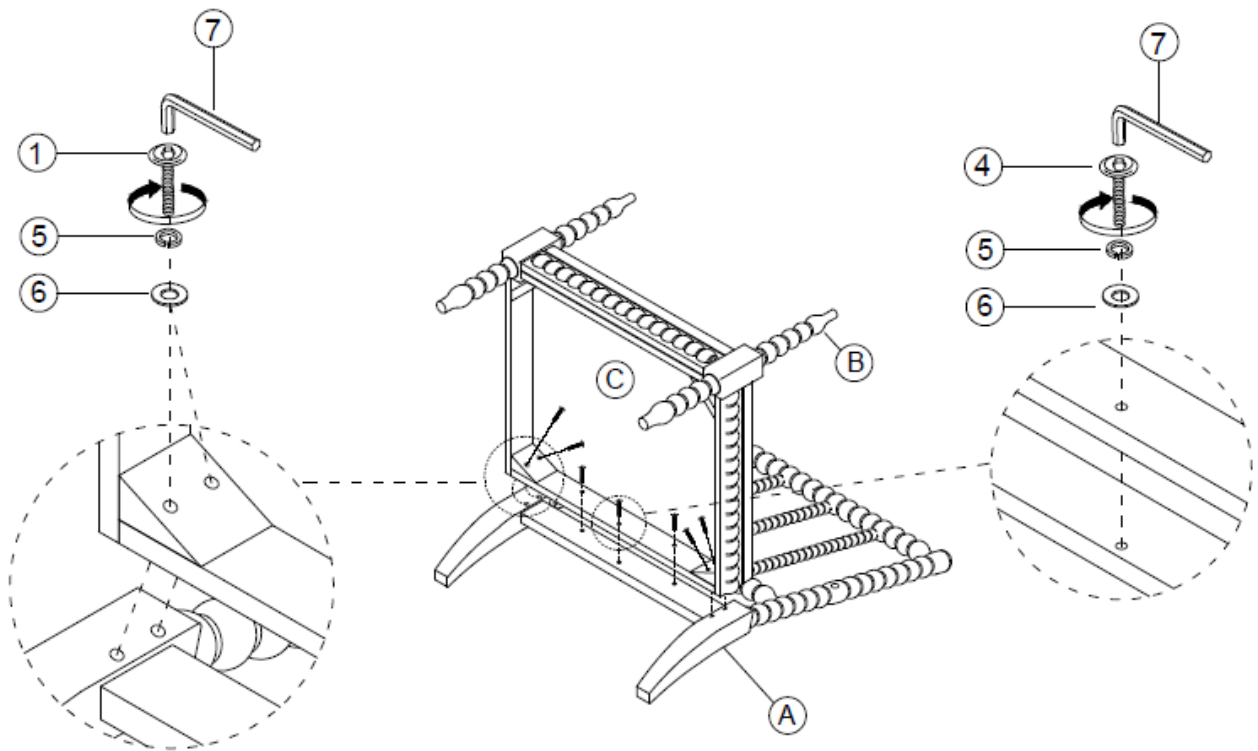


Step 2

- A. Lay Back Leg Frame (A) on a flat surface. Use three Bolts (4), three Spring Washers (5), and three Flat Washers (6), to loosely attach the middle of the Back Leg Frame (A) to the back of the Seat Frame (C)

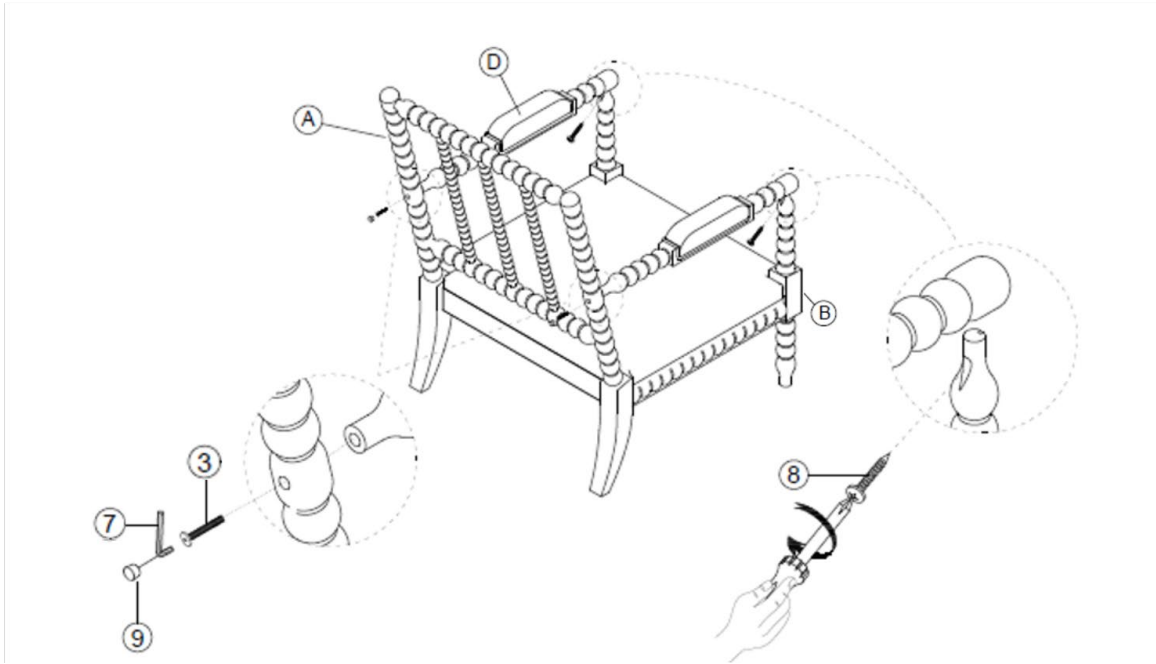
TIP: If the holes in the middle do not line up loosen the 4 screws on the bottom of the Seat Frame (C) that attach the cushion. Slightly angle the Seat Frame (C) toward you and the screws will line up with the holes

- B. Use four Bolts (4), four Spring Washers (5), and four Flat Washers (6), to attach the back corners of the Seat Frame (C) to the Back Leg Frame (A) tighten all bolts



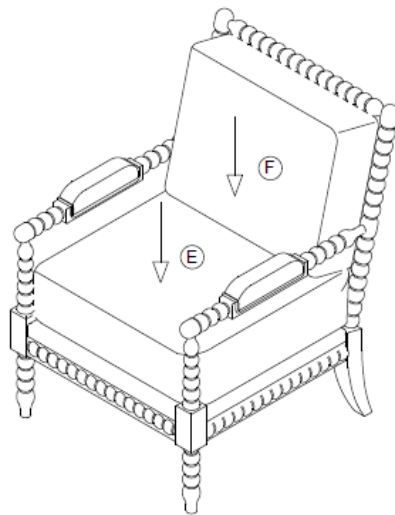
Step 3

- A. With a Phillips screwdriver (not included) use two Screws (8) to attach the rounded end of Armrests (D), to the Front Leg Frame (B)
- B. Use two Bolts (3) to attach the long end of Armrests (D) to the Back Leg Frame (B) use two Wood Plugs (9) to cover the bolt holes in the Back Leg Frame (B)



Step 4

Center Cushion (E) between the legs of the chair, it should line up on the sides of the chair.
Center cushion (F) against back of chair.



Post Assembly Instructions:

- Periodically check bolts to be sure they do not loosen over time.
- Do not stand on spindle chair.

Furniture Care Tips

With proper care your furniture will look beautiful for years to come.

Wood Furniture Tips

- Avoid placing in direct sunlight to keep from fading and discoloring.
- Do not use soap or abrasive cleaners
- Clean up spills as soon as they occur by blotting the food or liquid and then by wiping with a damp cloth
- Vacuum seat cushions periodically to remove dust and dirt
- Use a soft damp cloth to remove normal dust and dirt from the wood,
- Wood furniture should be dusted frequently. Use a lamb's wool duster, microfiber cleaning cloth or cotton cleaning cloth.
- Dusting with a dry cloth can scratch your furniture so lightly spritz your duster with water, a spray duster or wood polish.
- Never spray polish directly on the furniture as it can cause furniture products to buildup.
- Dust in the direction of the grain

Polyester Upholstery Tips

- Avoid placing in direct sunlight to keep from fading and discoloring.
- Vacuum fabric regularly with an upholstery attachment using low suction.
- Use a soft damp cloth to remove normal dust and dirt
- Wipe up spills immediately, as stains are harder to remove once they are set.
- Most minor stains can be cleaned using 1 tablespoon of dishwashing liquid with 2 cups of cool water. Dab onto the stain with a clean, white cloth. Blot until the liquid is absorbed.
- Never use harsh cleaners.