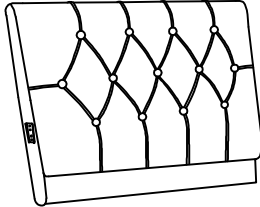
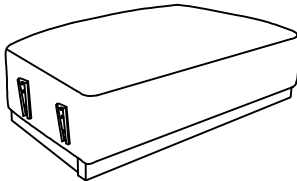
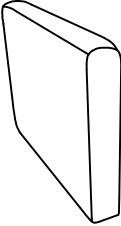
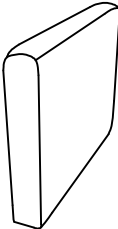

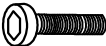

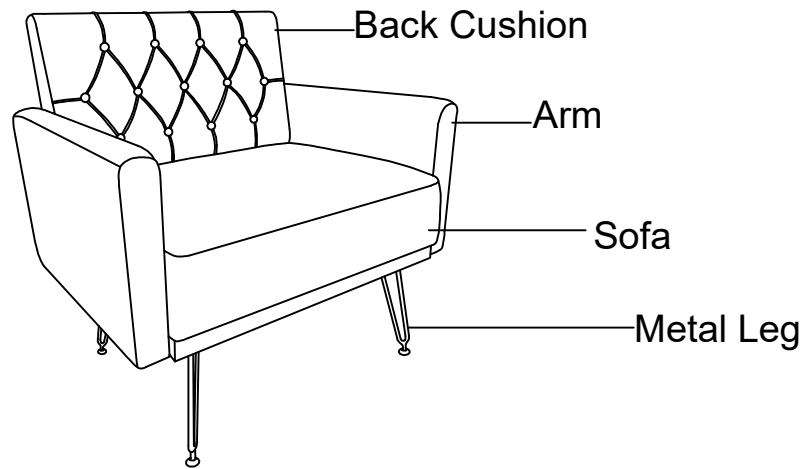


Assembly Instructions

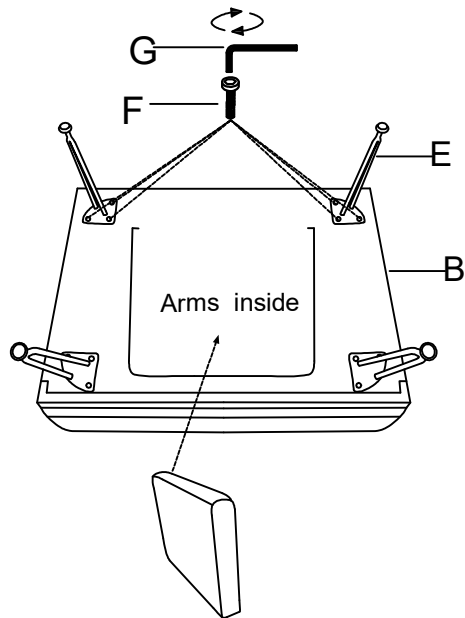
Parts List

A		Back Cushion	1
B		Sofa	1
C		Left Arm	1
D		Right Arm	1
E		Metal Leg	4
F		Screw	12
G		Wrench	1

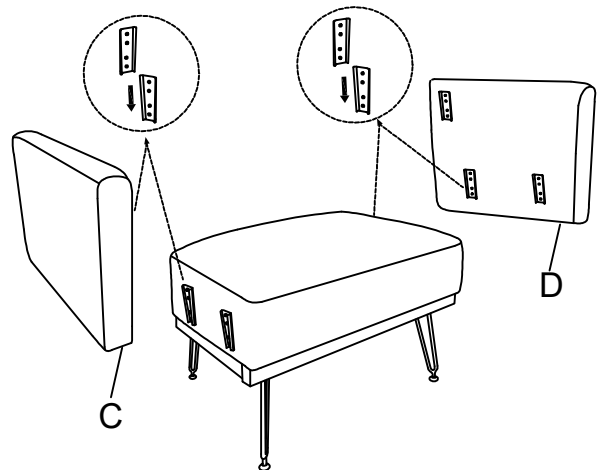
Assembly Steps



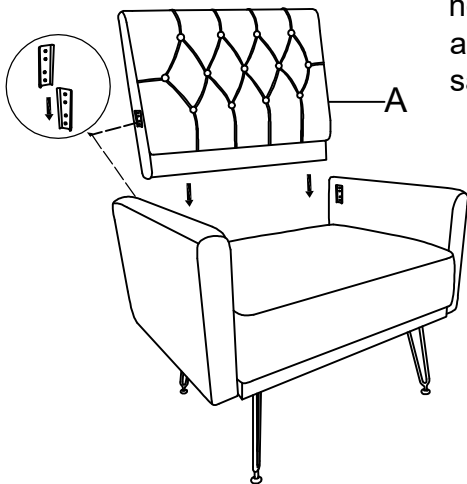
①



②



③



When installing the backrest, two people need to squeeze the arm inward at the same time.

④

