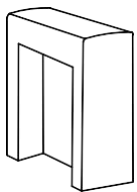
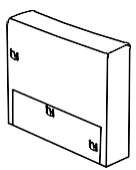
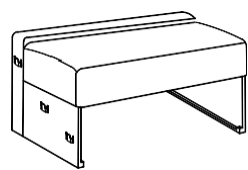
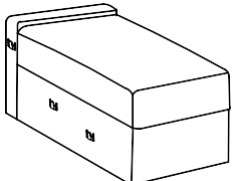
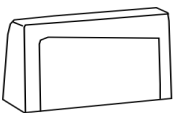

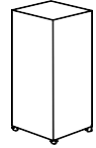
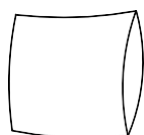
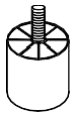
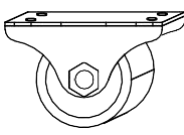

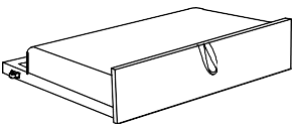
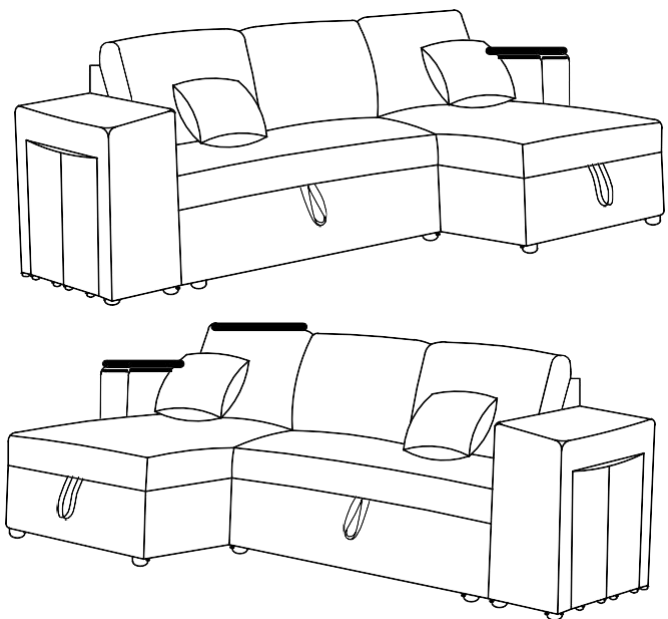


ASSEMBLY INSTRUCTION

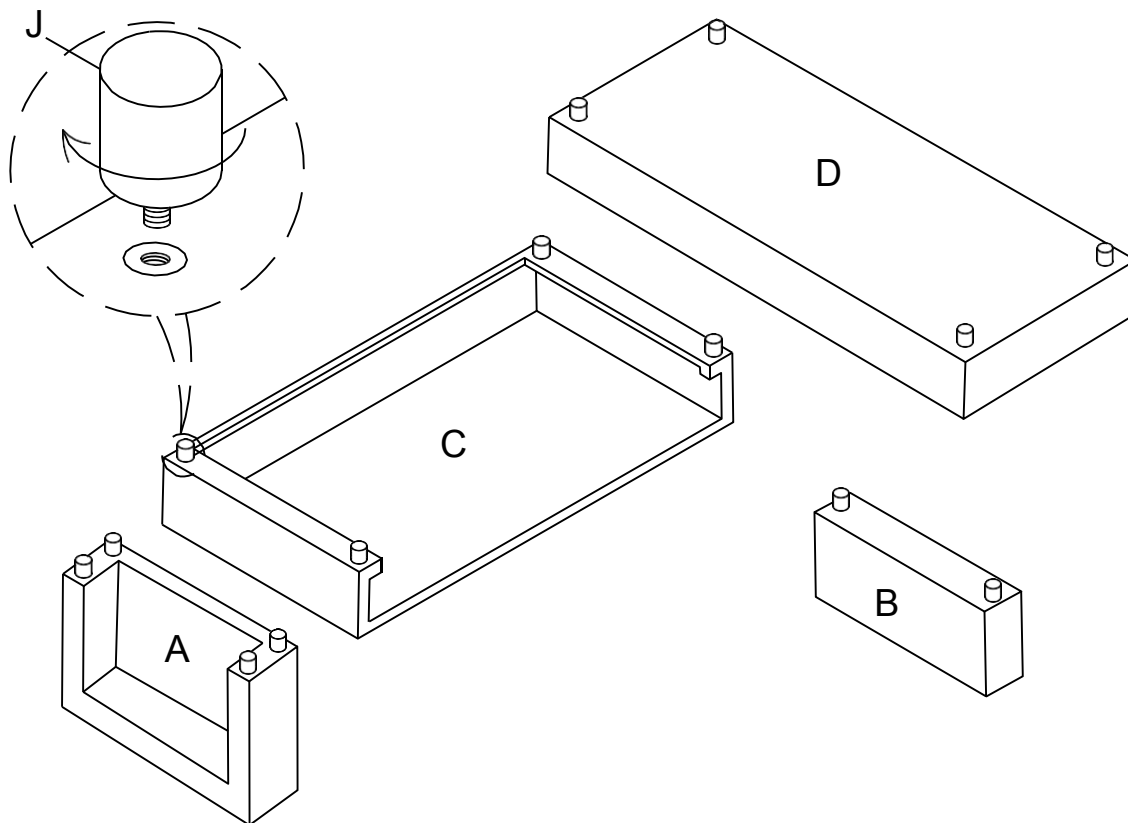
CHAISE & SOFA

A Left Arm  1pc	B Right Arm  1pc	C Sofa Seat  1pc	D Chaise Seat  1pc
E Back Frame  3pc	F	G Back Cushion  3pcs	H Stool  2pcs
I Pillow  2pcs	J Leg  14pcs	K Wheel  2pcs	L Screw M4x30  8pcs
M Trundle  1pc			

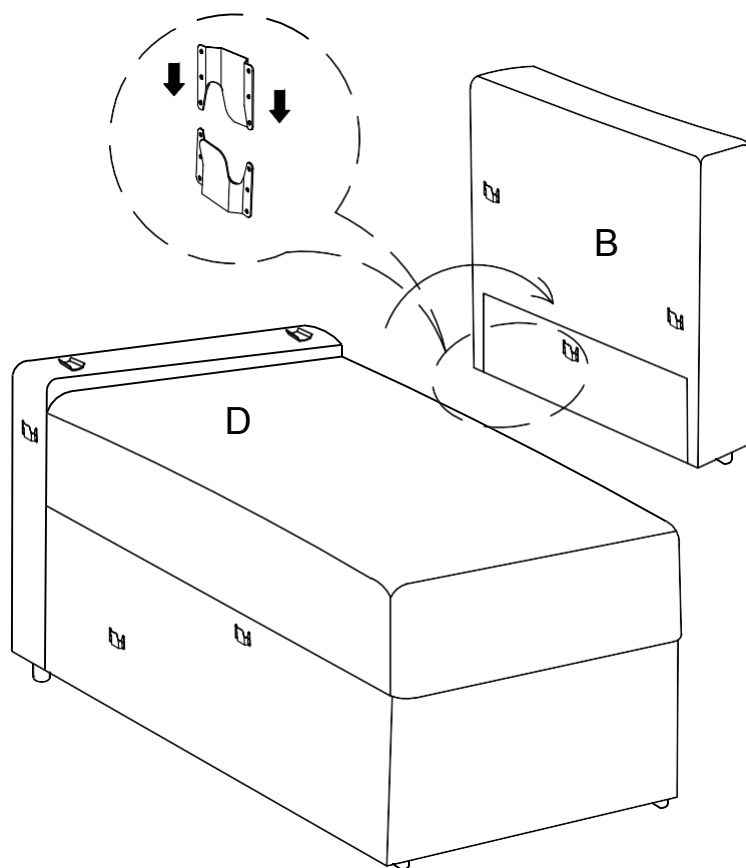


This page lists all the contents included in the box. Please take the time to identify the hardware as well as the individual components to this product. As you unpack and prepare for assembly, place the contents on a carpeted or padded area to protect them from damage.

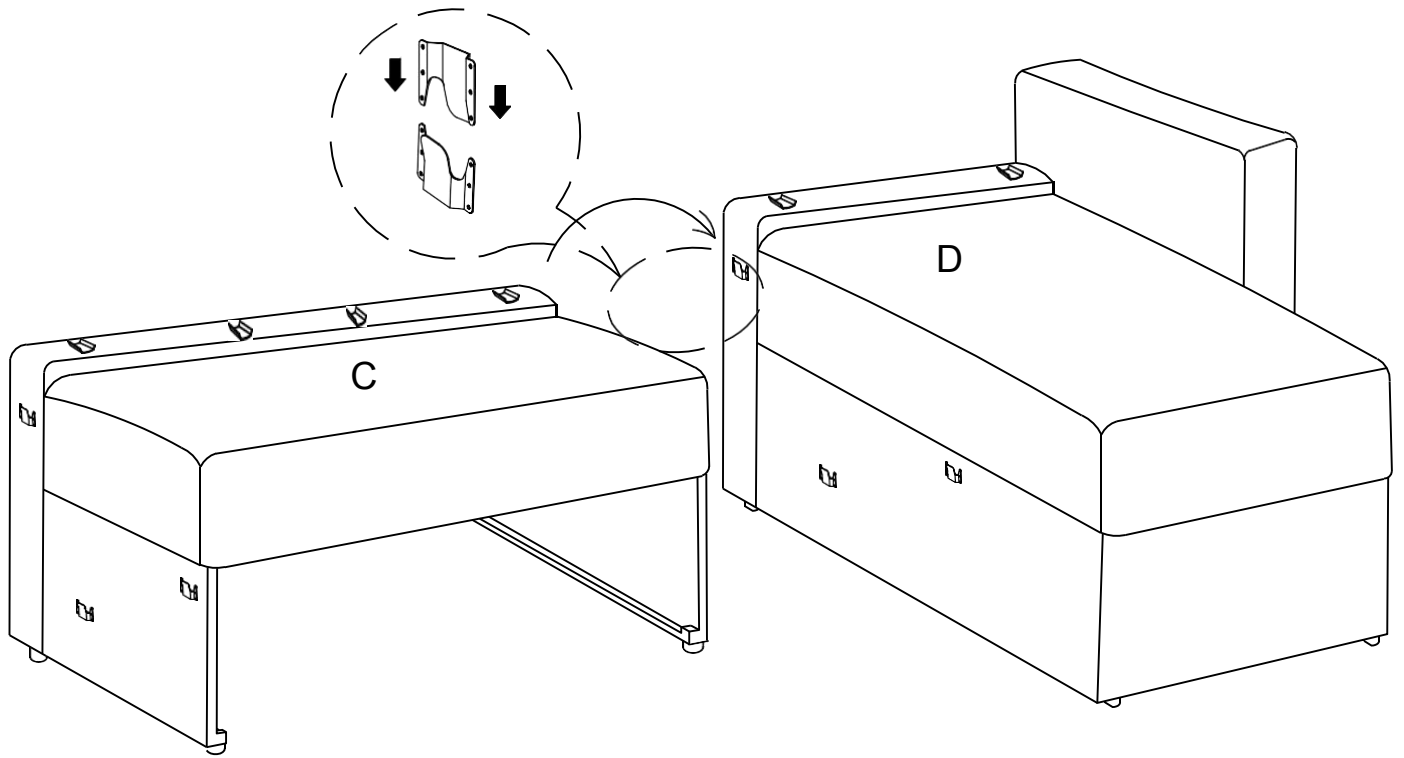
1 Assemble Leg (J) to Left Arm (A), Right Arm (B), Sofa Seat (C) & Chaise Seat (D) as below shown.



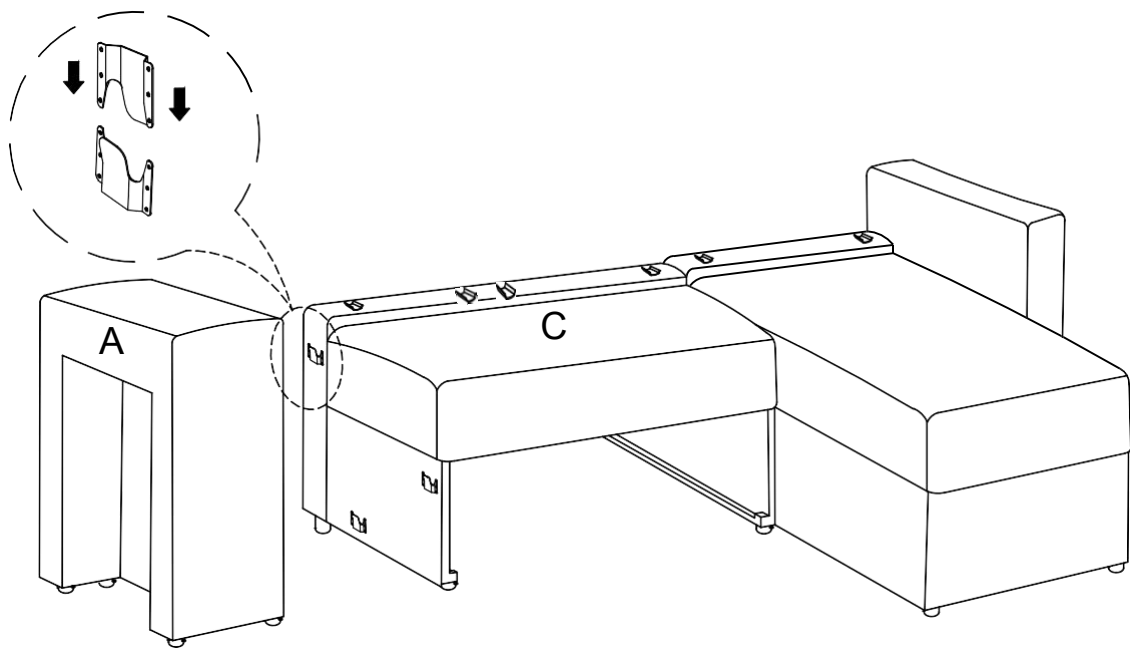
2 Hook on Chaise Seat (D) to Right Arm (B) properly.



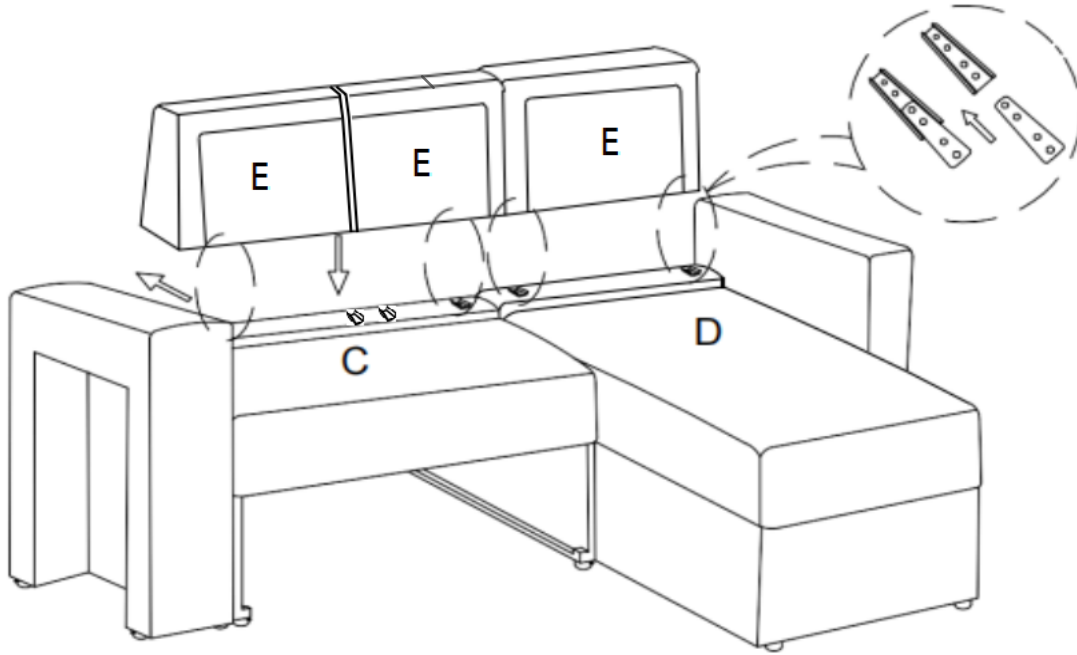
3 Hook on Sofa Seat (C) to Chaise Seat (D) properly.



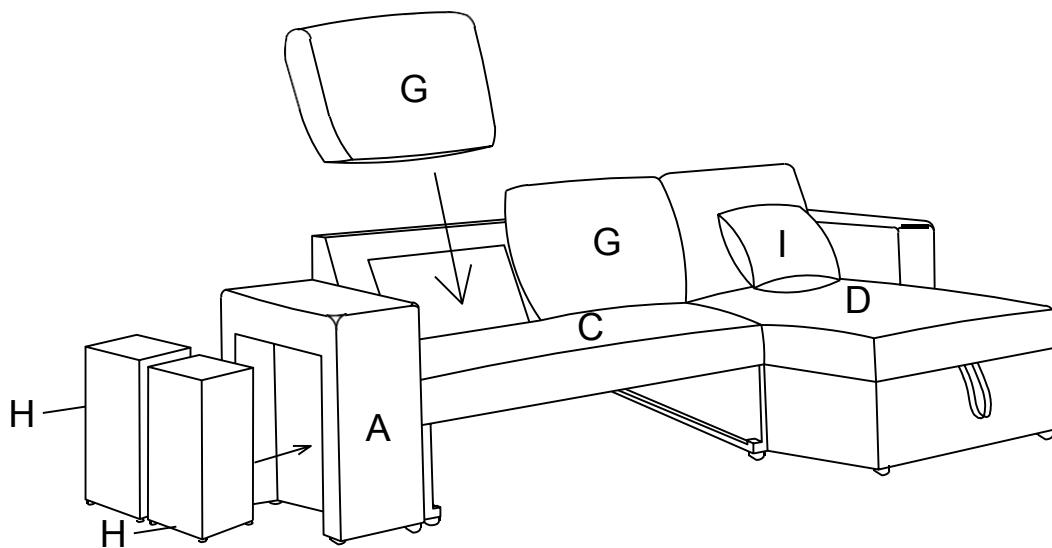
4 Hook on Left Arm (A) to Sofa Seat (C) properly.



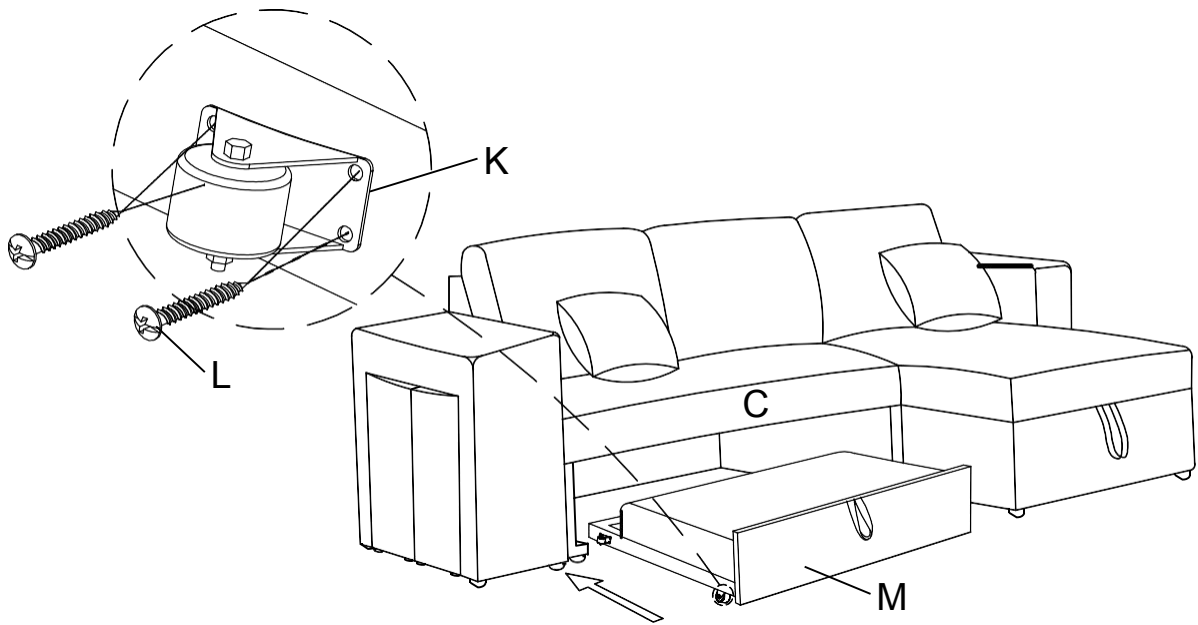
- 5** Hook on Back Frame (E) to Sofa Seat (C) properly. Hook on Back Frame (E) to Chaise Seat (D) properly.



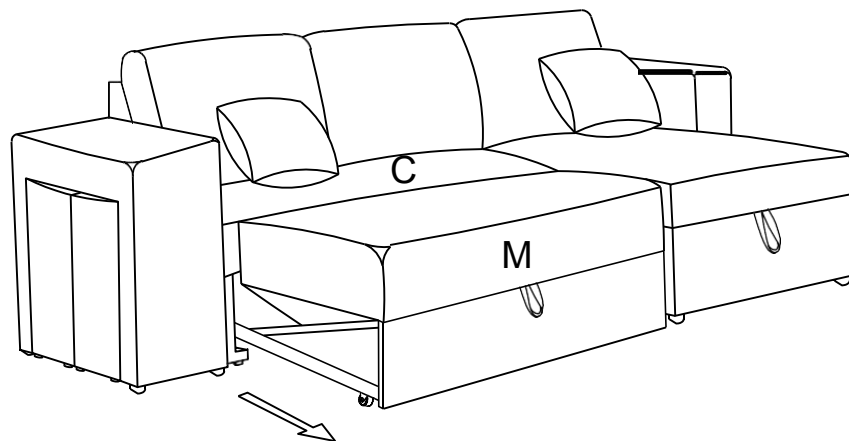
- 6** Place Back Cushion (G) & Pillow (I) on Sofa Seat (C) and Chaise Seat (D) as below shown. Put Stool (H) into Left Arm (A).



-
- 7** Assemble Wheel (K) to Trundle (M) using Screw (L) by screwdriver. Then push Trundle (M) under to Sofa Seat (C).



-
- 8** Remark: You can pull out the Trundle (M) to flat with the Sofa Seat (C) as a bed.



Cleaning & Care

Treat surface with care. Surface is resistant to scratches but is not scratch resistant. Clean surfaces with a dry or damp soft cloth. Do not use abrasive cleaners. Hardware may loosen over time. Periodically check that all connections are tight.