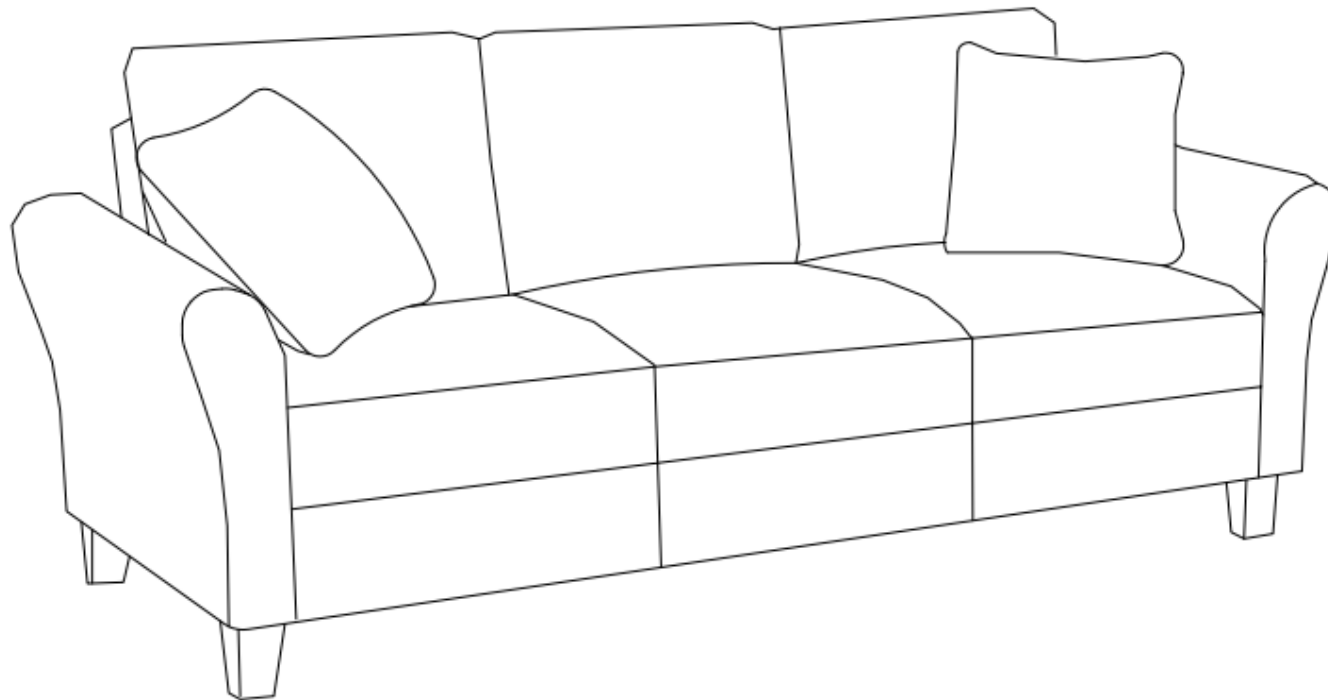
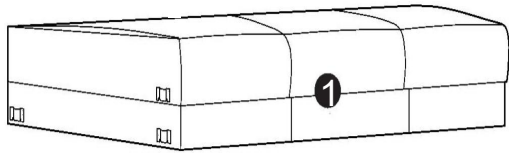


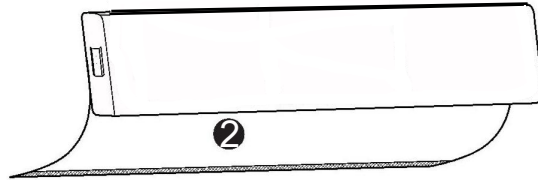
ASSEMBLY INSTRUCTIONS



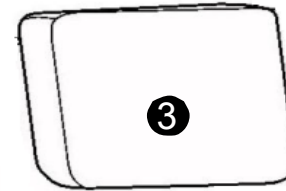
PARTS



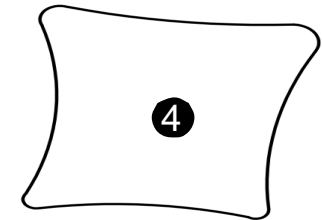
Seat Body
QTY:1



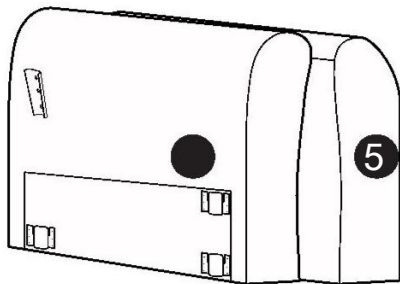
Backrest
QTY:1



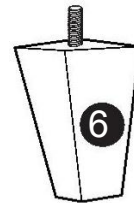
Cushion
QTY: 3



Pillow
QTY: 2



Arm
QTY:1 Pair

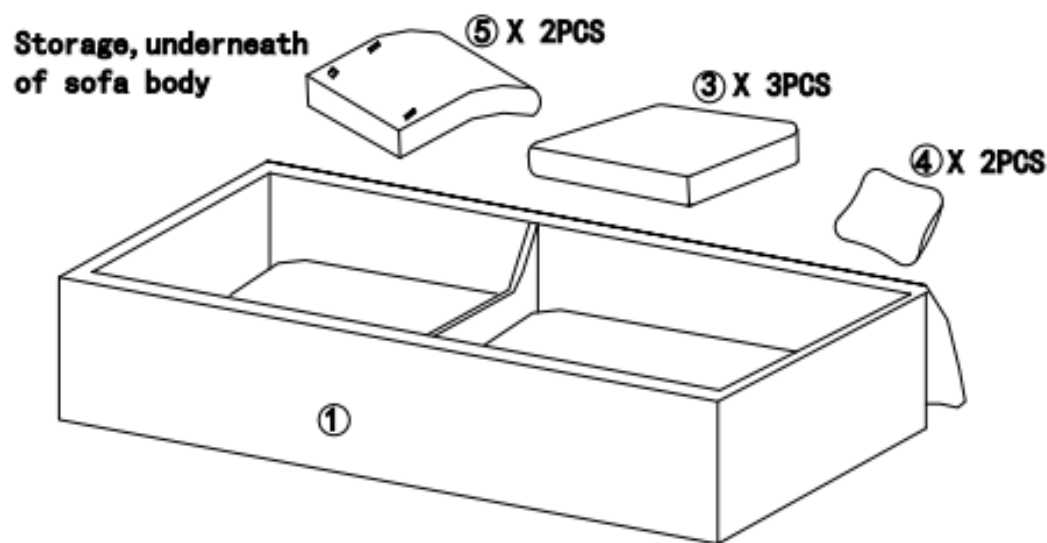
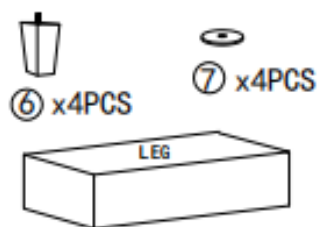
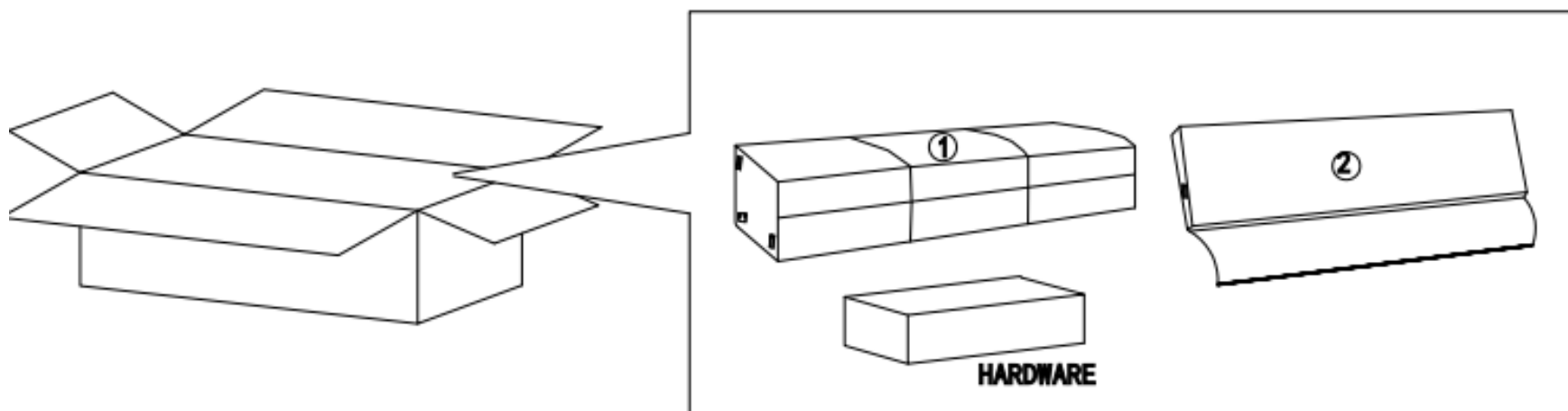


Leg
QTY:4

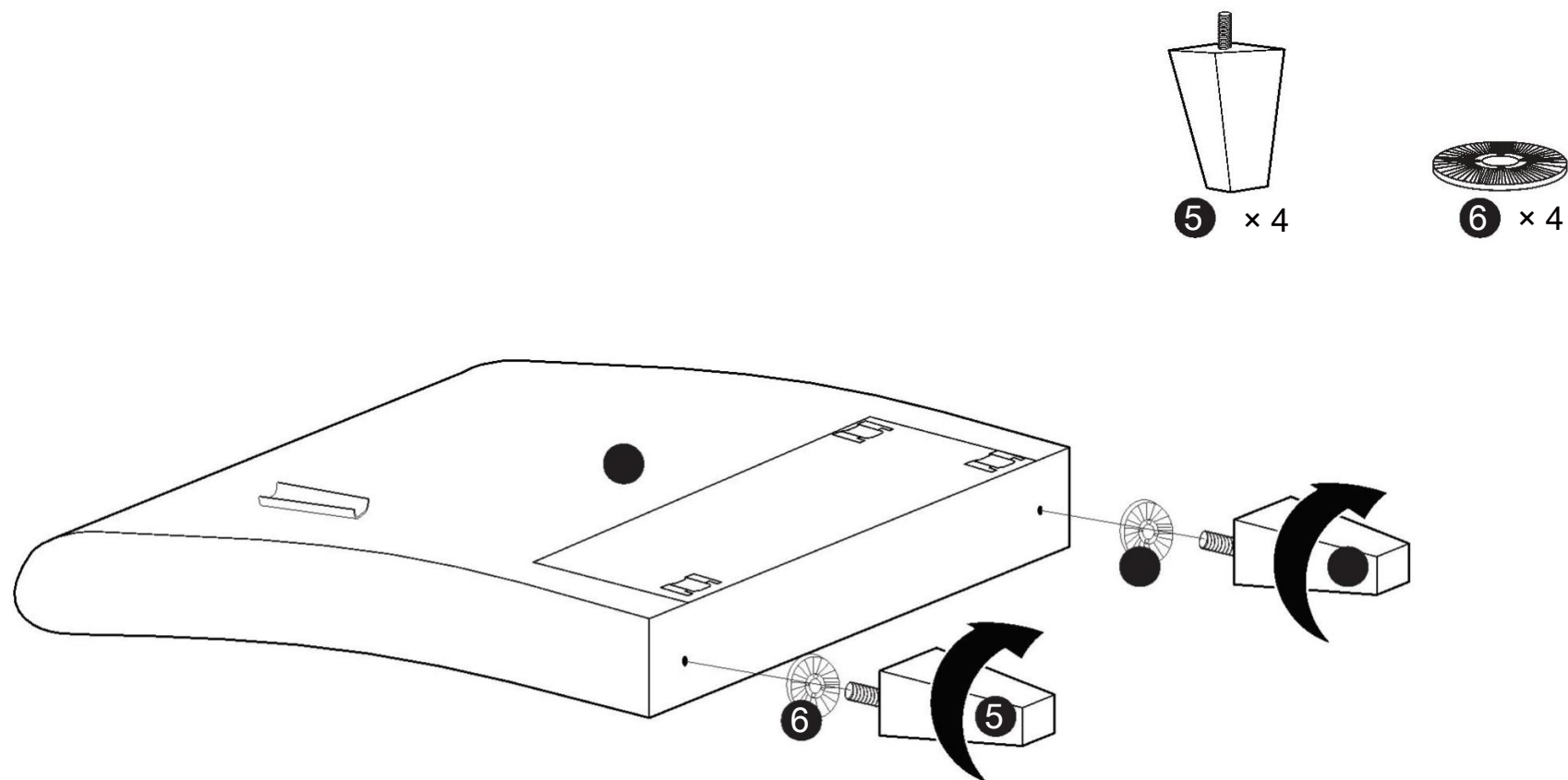


M10 Washer
(Outer Dim : 45mm
QTY:4

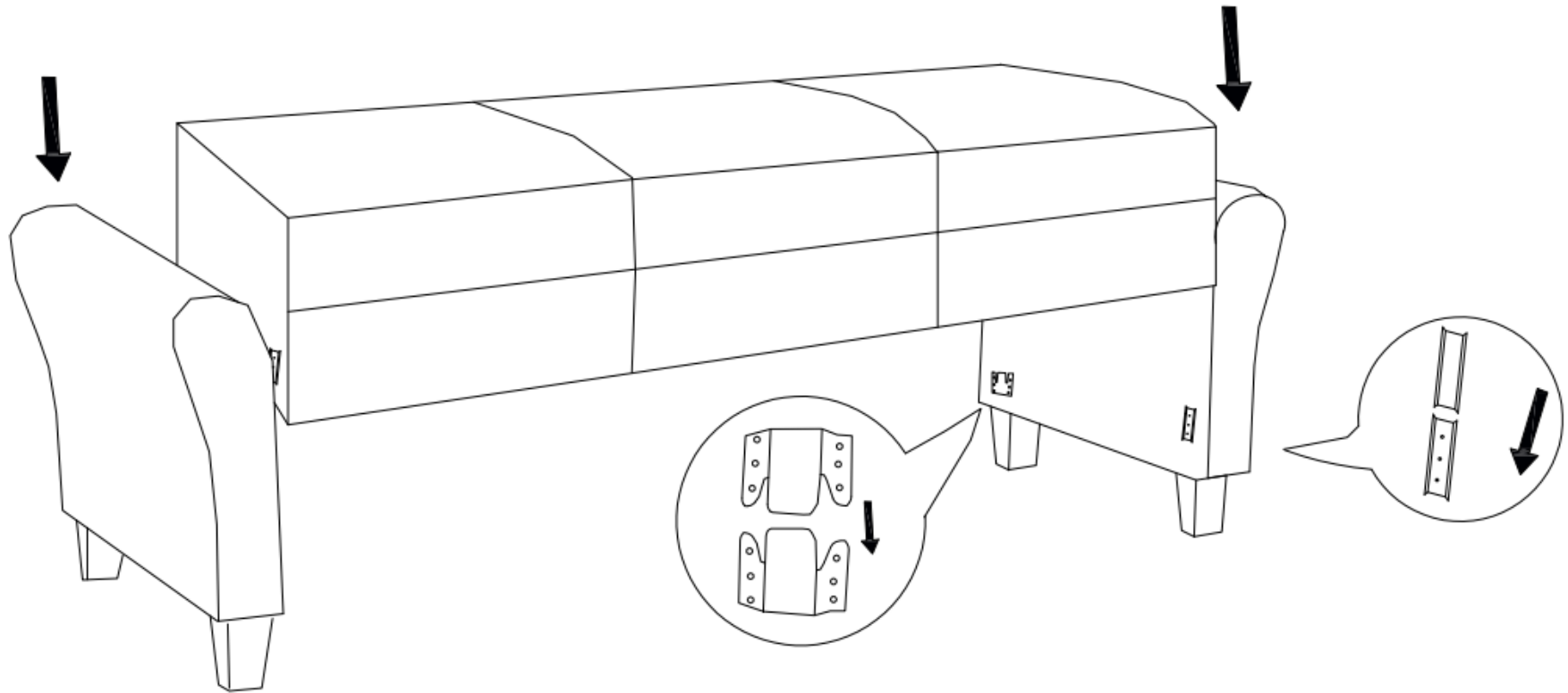
Step 1 : Carefully unpack parts/hardwares from box and storage of seat body, place them on a clean flat surface.



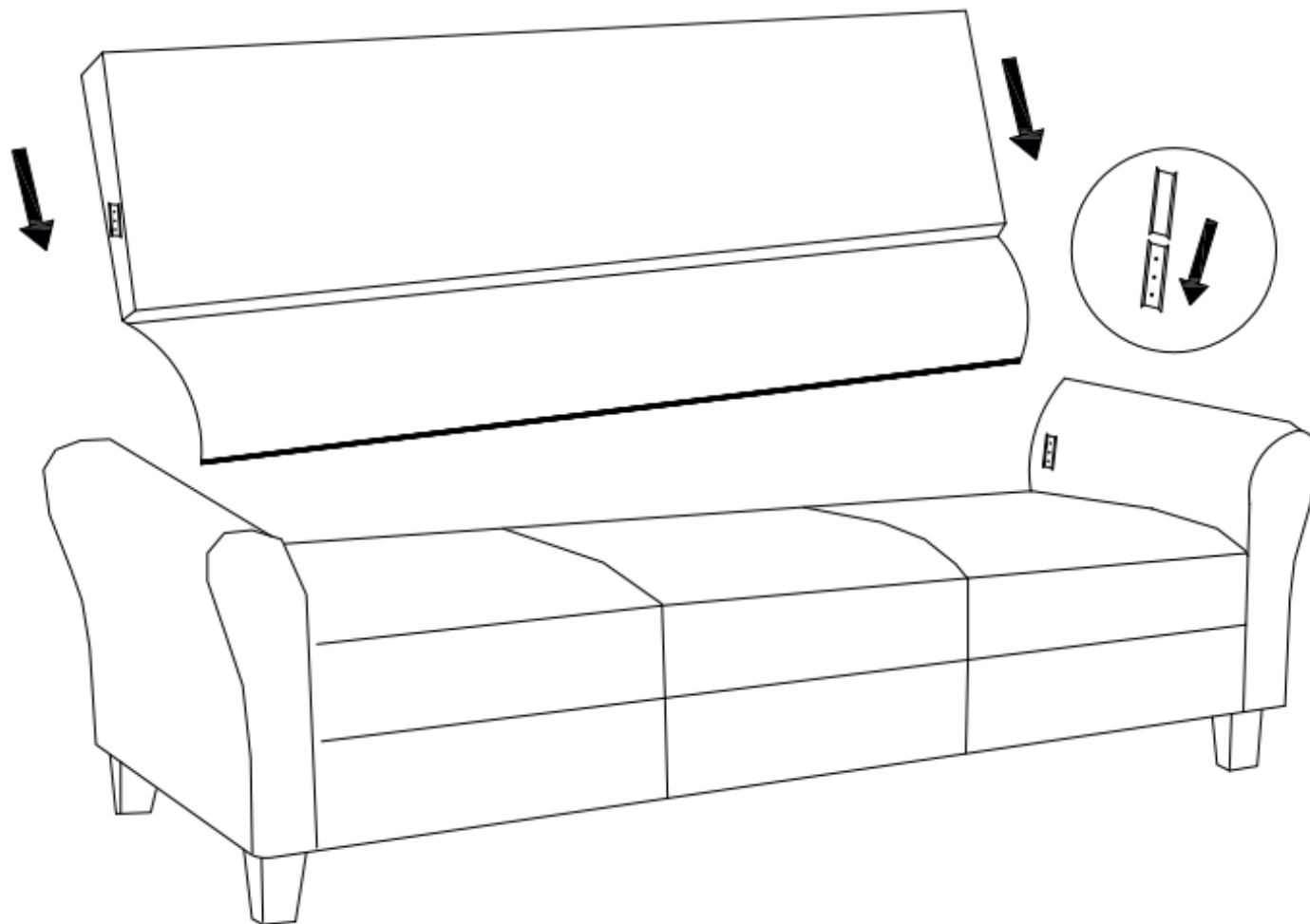
Step 2 : Place both arms as shown below, secure two legs and plastic washers into pre-drilled holes on the bottom of arms. Please avoid over tightening.



Step 3 : Carefully lift and turn assembled arms onto its legs. Insert seat body metal plates to both arms as shown below. Ensure it is correctly in place.



Step 4 : Insert backrest metal plates to both arms as shown below. Ensuring it is correctly in place.



Step 5: Finally, stretch and pull down rear cover evenly before securing velcro strip to seat base. Repeat if necessary for better fit.

