

ASSEMBLY INSTRUCTION

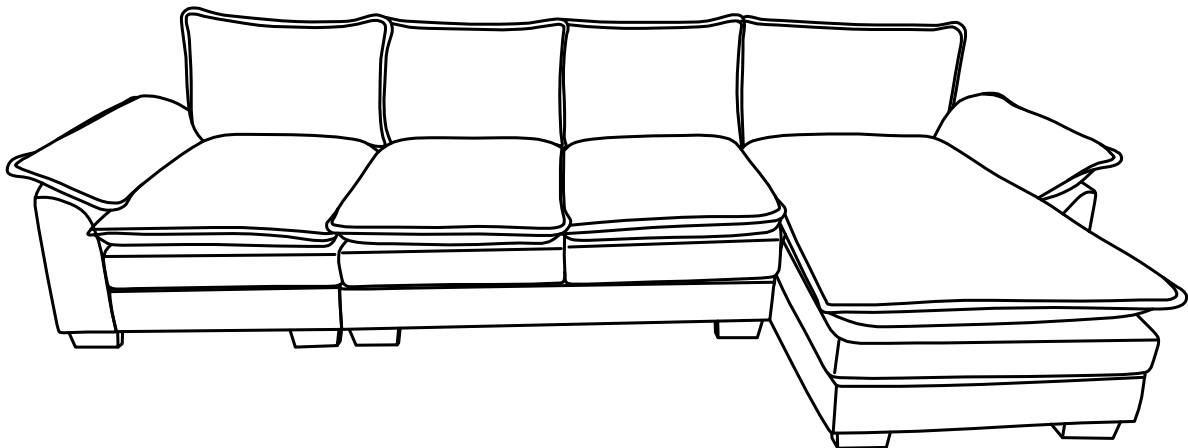
WF317445

WF317446

WF317447

Friendly Reminder:

- 1.This sofa is packed in 3 boxes. Please assemble it After all boxes are received.
- 2.As the cushions are all vacuum compressed,there will be some wrinkles. Please give your cushions up to 72 hours to reach its original size and the wrinkles will basically disappear.
- 3.Please do not open the compressed packags until your sofa frame is completely assembled.



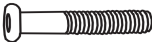




Return & Warranty policy:

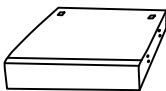
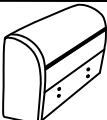
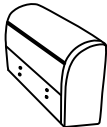


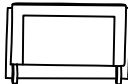


- We strive to offer the highest quality products,and we also try our best to satisfy each and every customer that orders from us with replacement parts or service as needed.
- If the item is damaged or defective, please take photos as evidence for replacements and refunds.
- Please do not return to store,contact the seller if you have any troubles with this product.

ASSEMBLY INSTRUCTION

HARDWARE

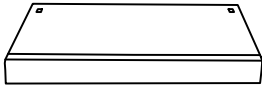
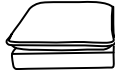
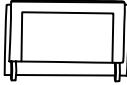


NO	DESCRIPTION	SKETCH	QTY
1	Washer		41
2	Screws 8X60		33
3	Screws 8X80		4
4	Butterfly nut		4
5	Wrench		1

PARTS LIST WF317445

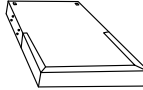
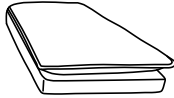
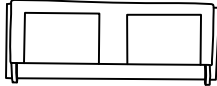
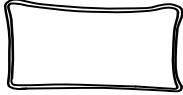

NO	DESCRIPTION	SKETCH	QTY
A	Seat frame		1
D	Left armrest		1
E	Right armrest		1
F	Seat cushion		1
H	Armrest cushion (left)		1
I	Back frame		1
L	Back cushion		1
N	Armrest cushion (right)		1

ASSEMBLY INSTRUCTION

PARTS LIST WF317446

NO	DESCRIPTION	SKETCH	QTY
B	Loveseat		1
F	Seat cushion		2
K	Chaise back		1
L	Back cushion		2
M	Leg		9

PARTS LIST WF317447

NO	DESCRIPTION	SKETCH	QTY
C	Chaise frame		1
G	Chaise cushion		1
J	Loveseat back frame		1
O	Chaise back cushion		1
M	Leg		4

ASSEMBLY INSTRUCTION

All parts and hardware.

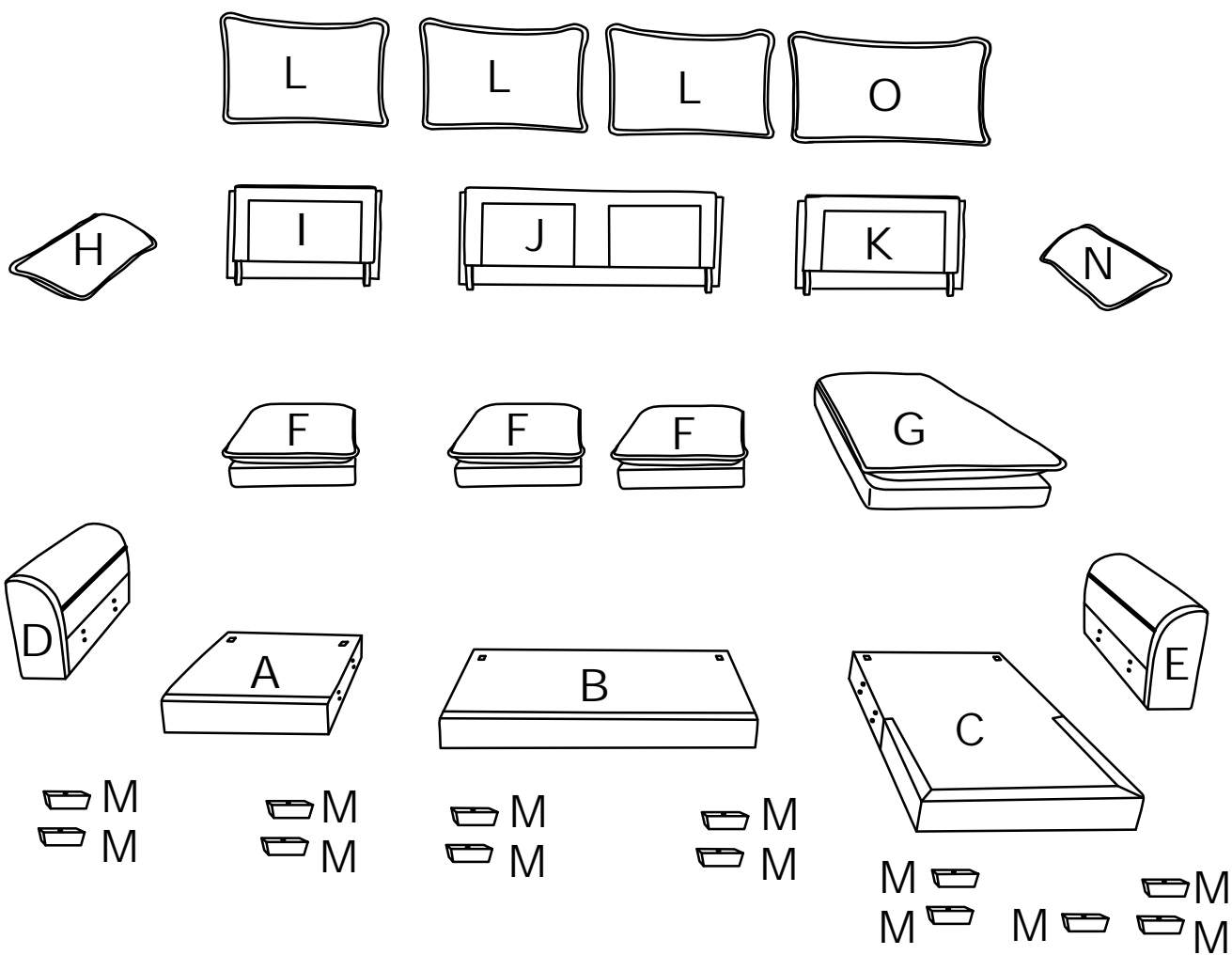





DIAGRAM 1 (Assemble the Seat frame)

Assemble Seat Frame(Part A) and Loveseat(Part B) and Chaise frame(Part C)with Butterfly Nuts(Hardware 4) Washers(Hardware 1) and Screws(Hardware 3).

1		8PCS
3	 M8X80	4PCS
4		4PCS

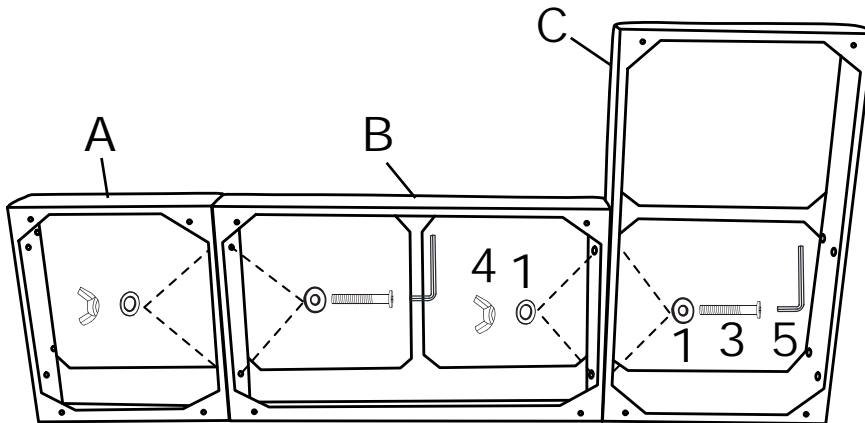




DIAGRAM 2 (Assemble the Armrest)

Assemble the Left armrest(Part D) and Right armrest(Part E) with Washers(Hardware 1) and Screws(Hardware 2).

1		8PCS
2	 M8X60	8PCS

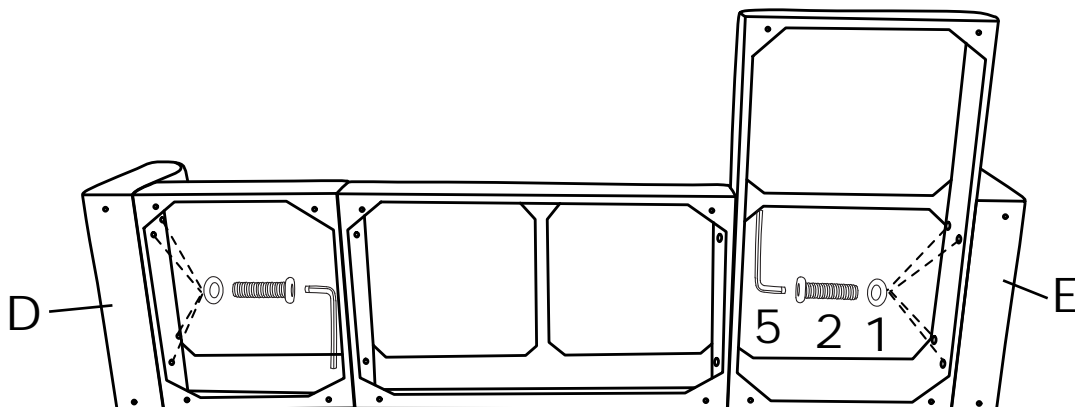




DIAGRAM 3 (Assemble the legs)

Assemble the Legs(Part M) with Washers(Hardware 1) and Screws(Hardware 2).

1		13PCS
2	 M8X60	13PCS

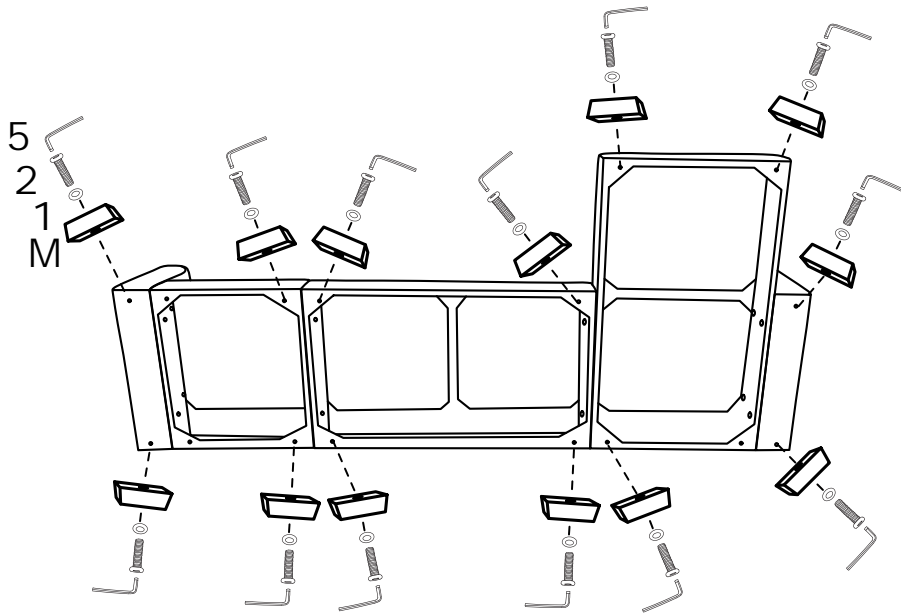




DIAGRAM 4 (Assemble the Back frame)

Assemble the Backframe (Part I) and Loveseat back frame(Part J) and Chaise back(Part K) into the designated holes,using Washers (Hardware 1) and Screws (Hardware 3) to 70% tightness,and then tighten the all Bolts on the seat.

1		12PCS
2	 M8X60	12PCS

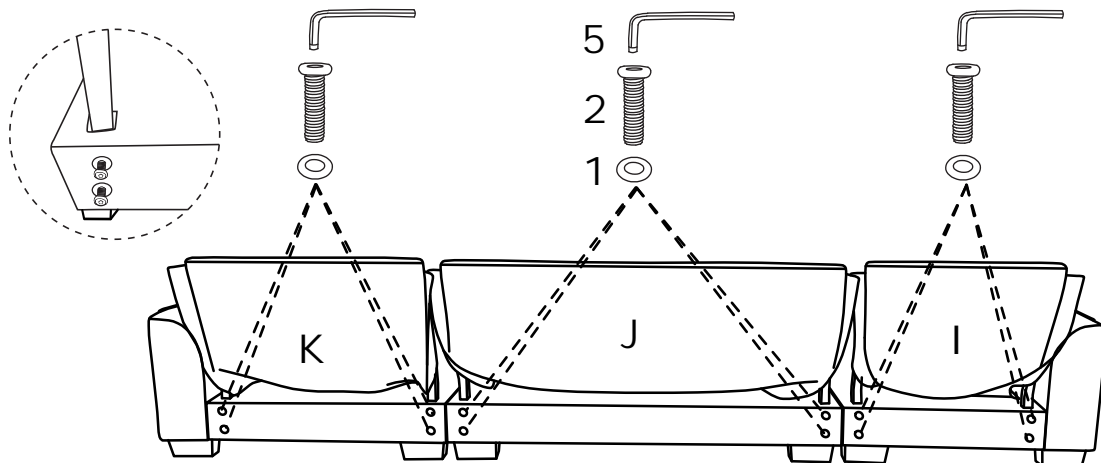
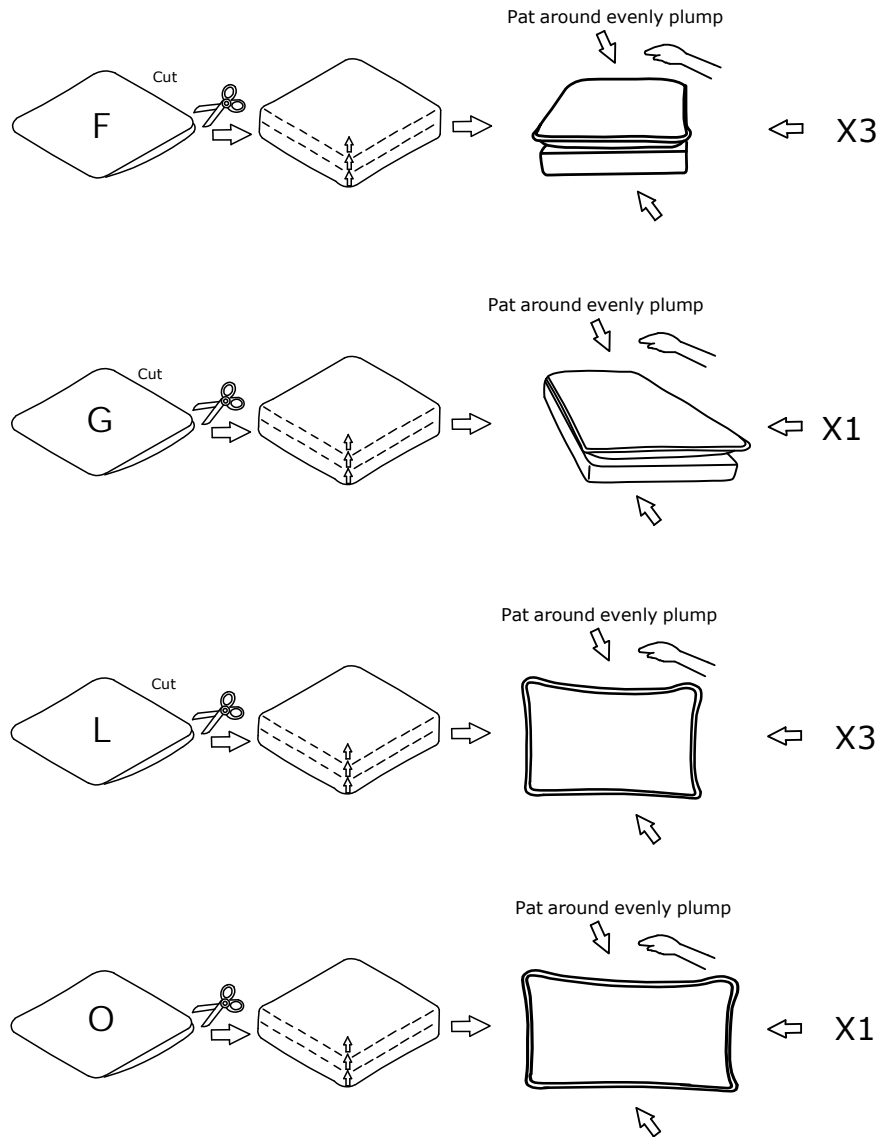


DIAGRAM 5 (Removal of compression bags)

Remove the Seat cushion (Part F) the Chaise frame (Part G) the Back cushion (Part L) the Chaise back cushion (Part O) .



TIPS

1. Please do not open the compressed packages until your sofa frame is completely assembled.
2. Compressed back cushions and pillows need to be fully fulfilled within 72 hours for your perfect use.
3. Please keep children away from plastic bags or any small pieces of stuff.

DIAGRAM 6 (Assemble the Armrest cushion)

Place the Armrest cushion(left) (Part H) and Armrest cushion(right) (Part N) on the corresponding armrests and zipper them up in order from front to back.

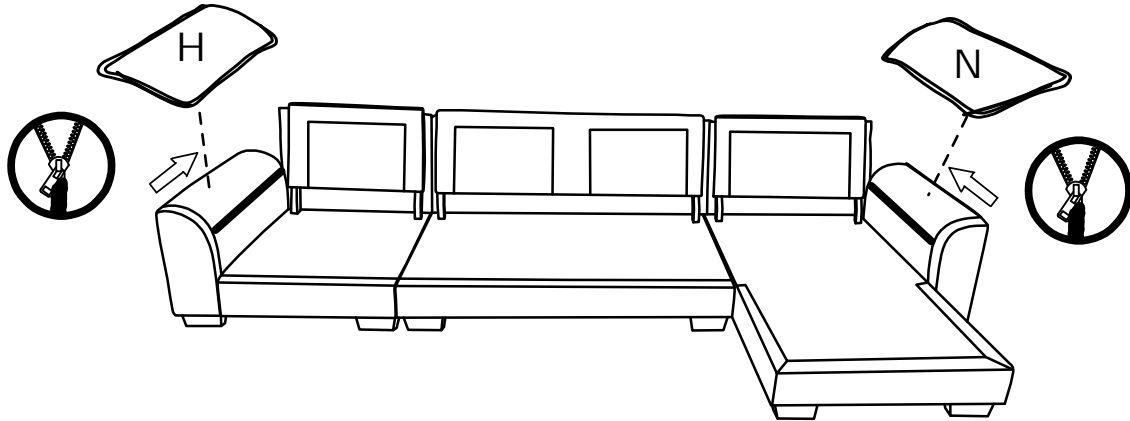
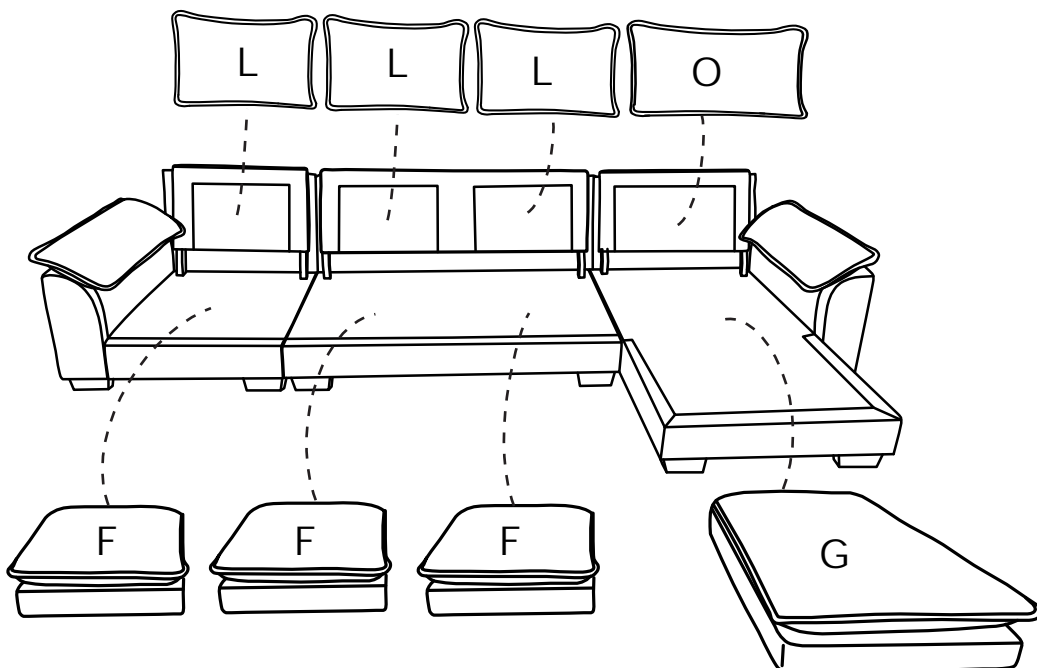


DIAGRAM 7 (Place the Cushion on the sofa)

Place the Seat cushions (Part F) and Chaise cushion (Part G) and Back cushion (Part L) and Chaise back cushion (Part O) on the sofa.



TIPS

1. Please do not open the compressed packages until your sofa frame is completely assembled.
2. Compressed back cushions and pillows need to be fully fulfilled within 72 hours for your perfect use.
3. Please keep children away from plastic bags or any small pieces of stuff.

