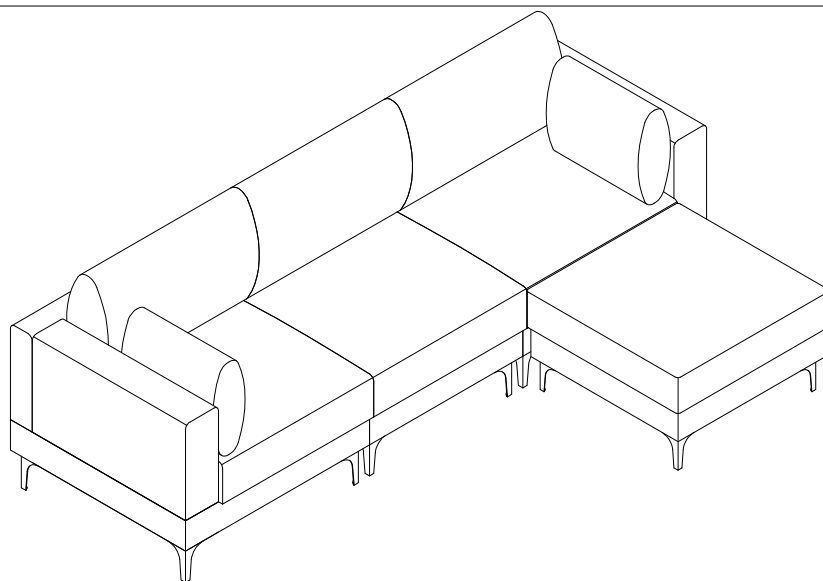
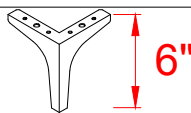









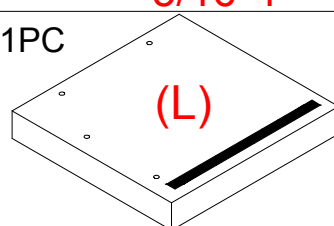
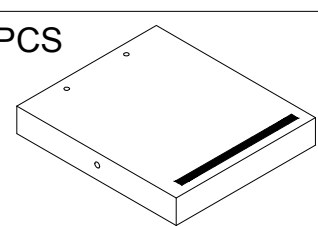
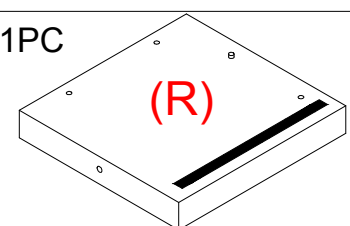
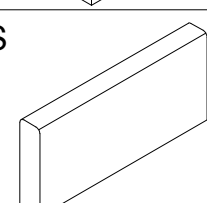
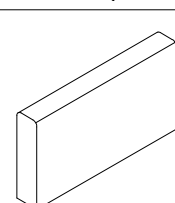
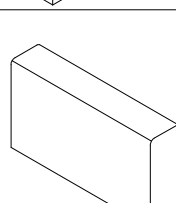
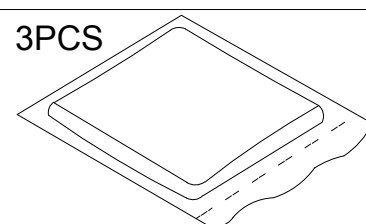
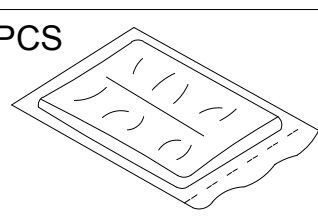
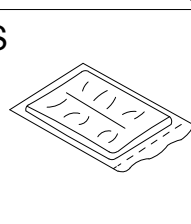


# ① ASSEMBLY INSTRUCTION

## MODEL NO.HC5296

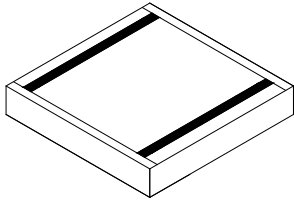


Components/QTY	Components/QTY	Components/QTY
A 16PCS  6"	B 32PCS  5/16*19MM	C 32PCS  5/16*1"
D 10PCS  5/16*3"	E 10PCS  5/16*25MM	F 10PCS  5/16*12MM
G 1PC  5/16*3.5"	H 1PC  5/16*100MM	I 2PCS  5/16*3/4"
J 2PCS  5/16*4"		
① 1PC  (L)	② 1PCS 	③ 1PC  (R)
④ 2PCS 	⑤ 1PCS 	⑥ 2PCS 
⑦ 3PCS 	⑧ 3PCS 	⑨ 2PCS 

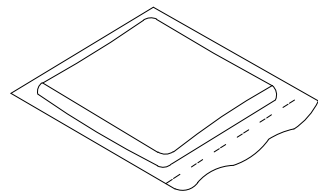
# ② ASSEMBLY INSTRUCTION

## MODEL NO.HC5296

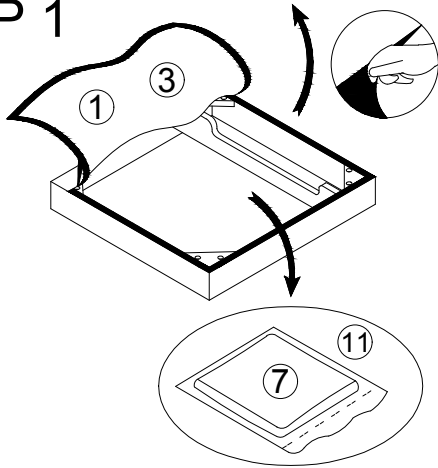
⑩ 1PC



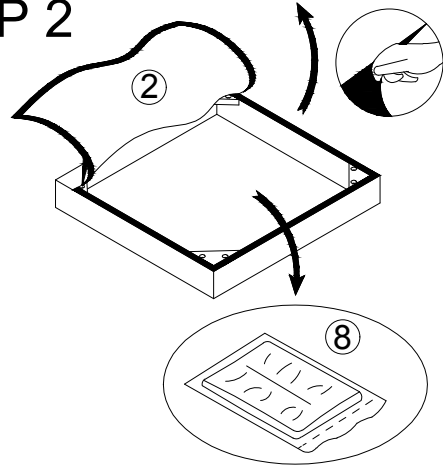
⑪ 1PC



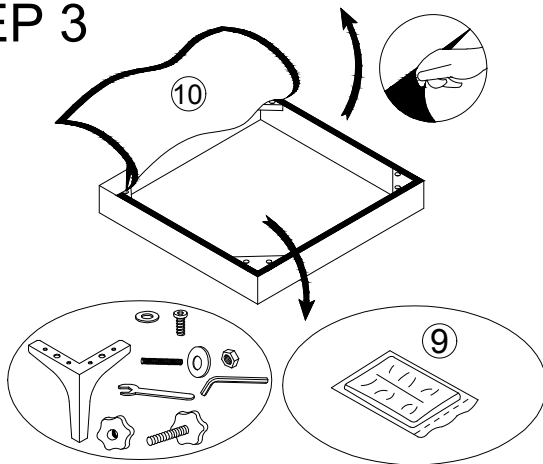
STEP 1



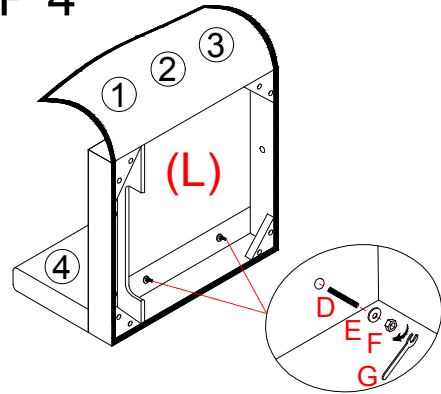
STEP 2



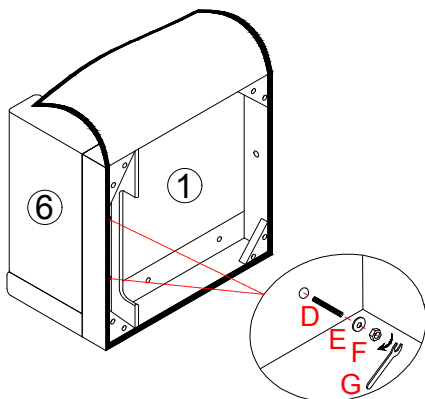
STEP 3



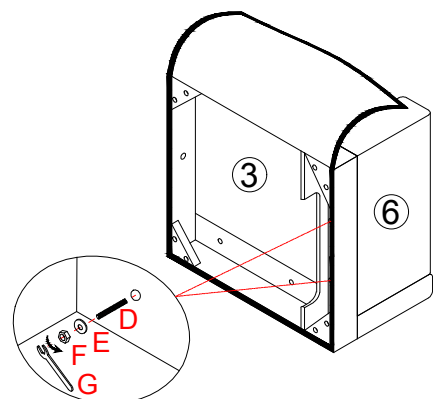
STEP 4



STEP 5



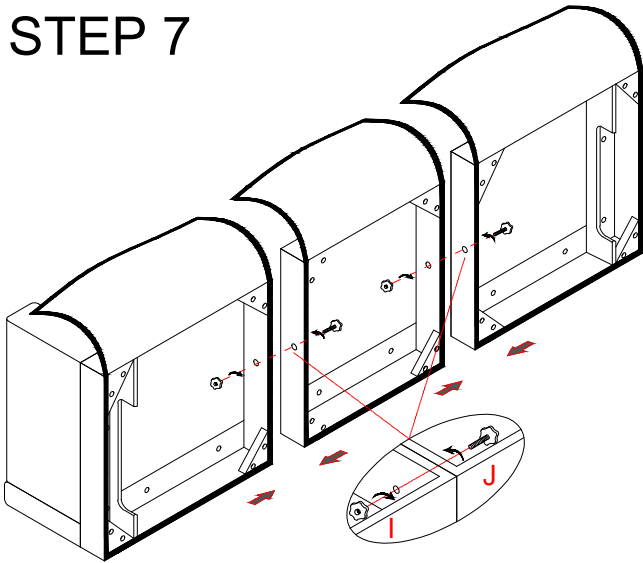
STEP 6



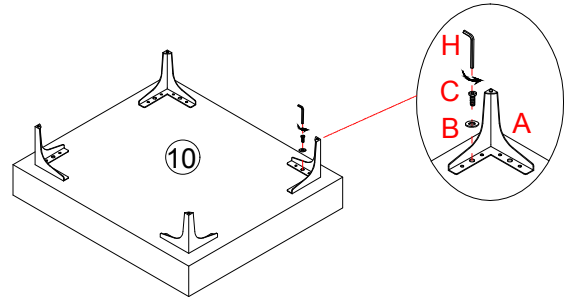
# ③ ASSEMBLY INSTRUCTION

## MODEL NO.HC5296

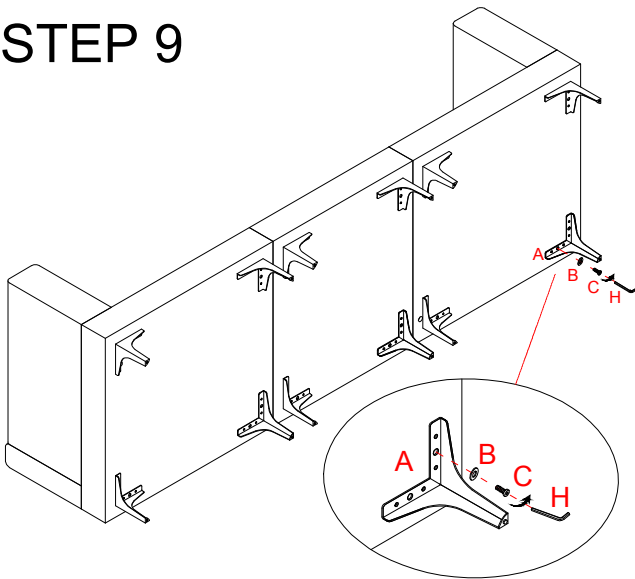
STEP 7



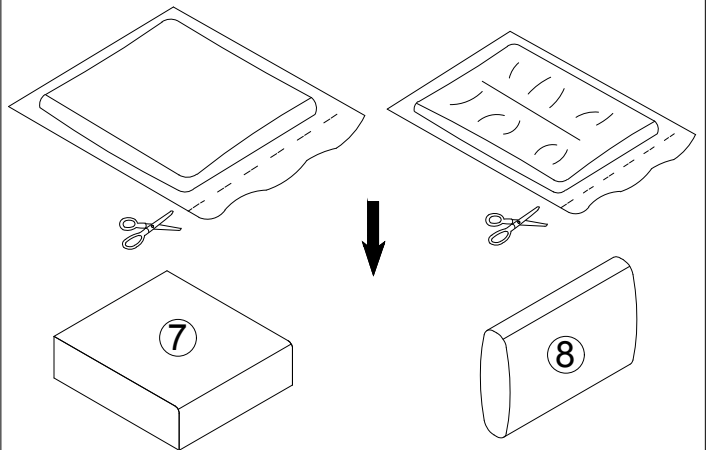
STEP 8



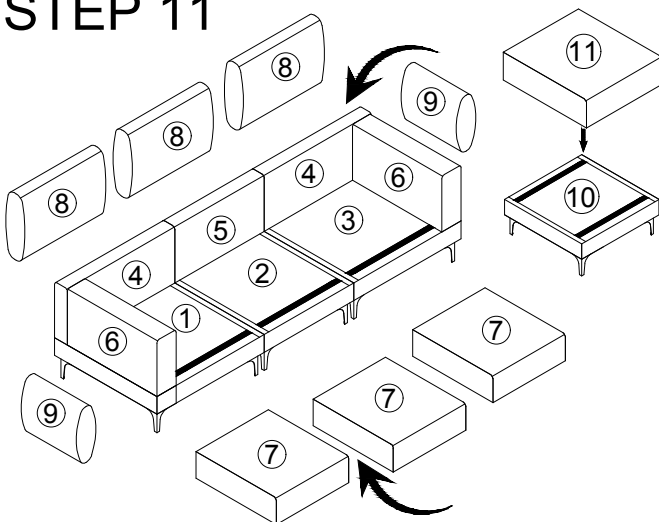
STEP 9



STEP 10



STEP 11



STEP 12

