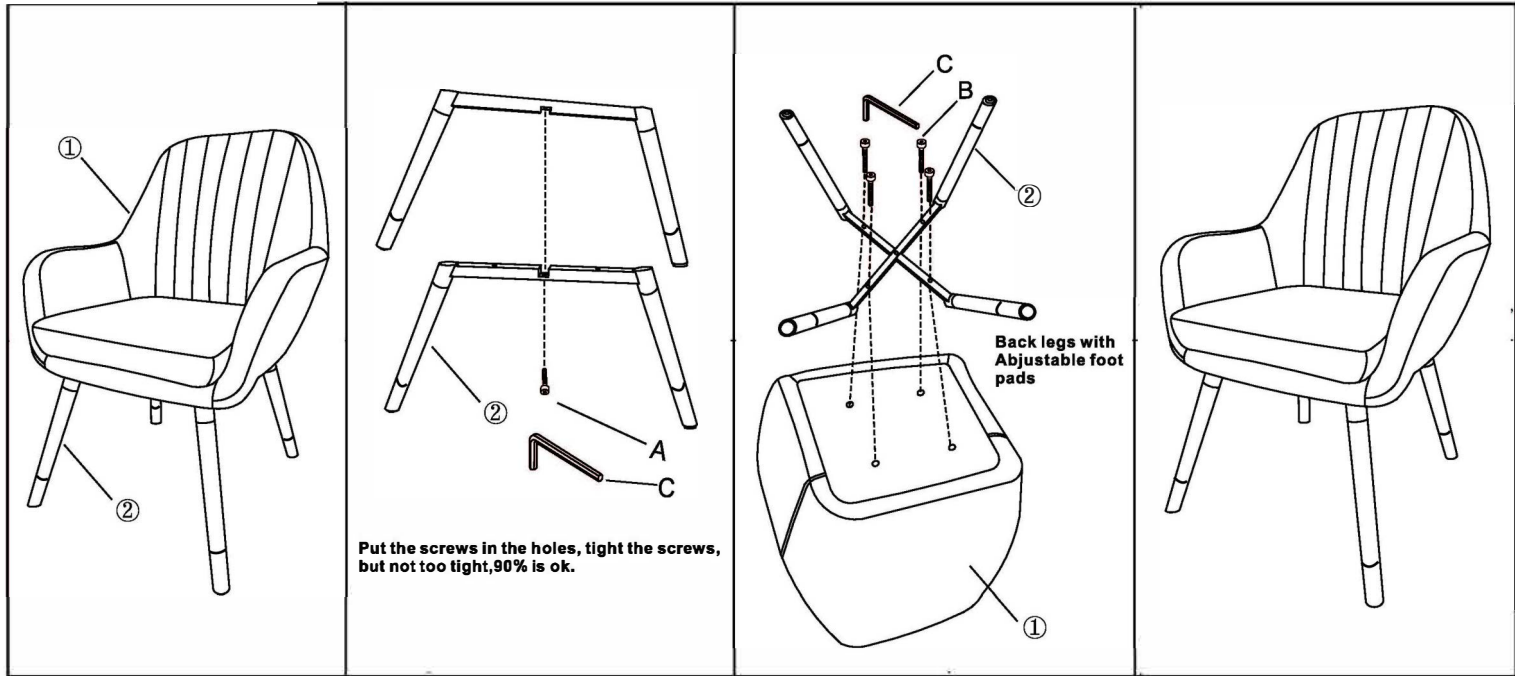





# AC152 ASSEMBLY INSTRUCTION



HARDWARE LIST	CODE	PARTS	QTY.
	<b>1</b>	BACK & SEAT	
	<b>2</b>	LEG	2

HARDWARE LIST	CODE	PARTS	QTY.
		<b>A</b>	M6 x 25MM 
	<b>B</b>	M6x 48MM 	4
	<b>C</b>	ALLEN KEY 	1