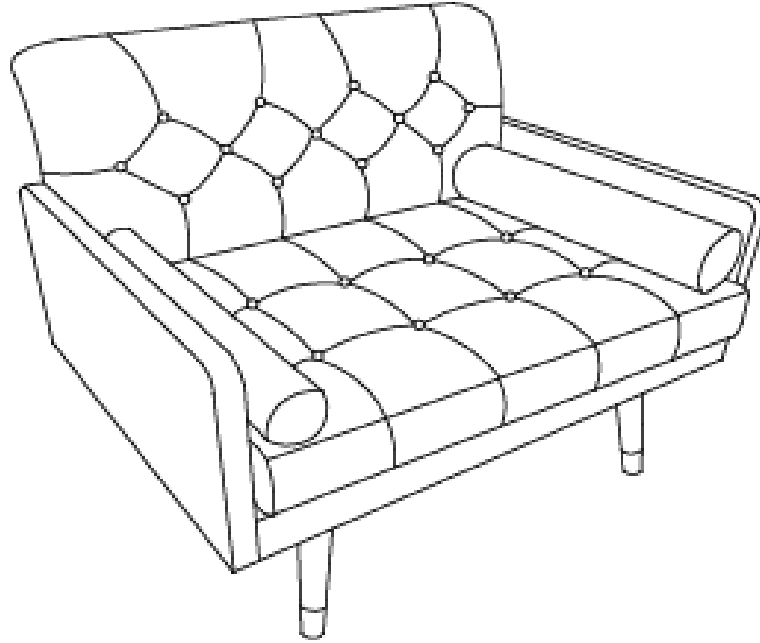


Assembly Instructions

Caution: You must read this before you proceed

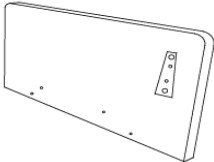
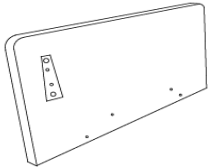
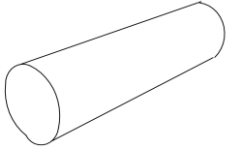

Please look in inner box for hardware packs and legs.

Chair

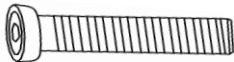
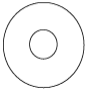
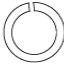
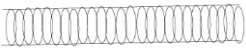





Parts List

Label	Picture	Description	QTY
A	A line drawing of a rectangular chair base with a raised edge on one side.	Chair Base	1
B	A line drawing of a tufted chair backrest with a curved top edge.	Chair Backrest	1
C	A line drawing of a tufted chair seat cushion with a rectangular shape.	Seat Cushion	1

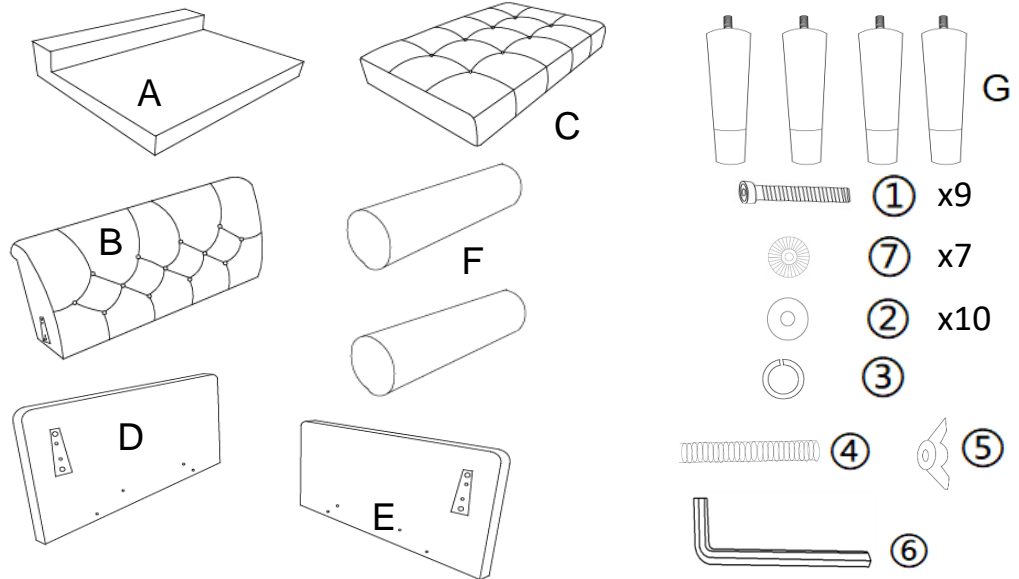
D		Left Arm Board	1
E		Right Arm Board	1
F		Arm Pillow	2
G		Wooden Leg	4

Hardware List

Label	Picture	Description	QTY
①		Bolt (M6*55mm)	9
②		Washer	10
③		Spring Washer	10
④		Double-threaded Bolt (M8*70mm)	1
⑤		Wing Nut	1
⑥		Allen Key	1
⑦		Gasket	7

Assembly Preparation

Before Beginning Assembly:



- Read instructions, cover to cover-



- Have 2 adults on hand for assembly-



- Do not assemble on flooring or carpet-



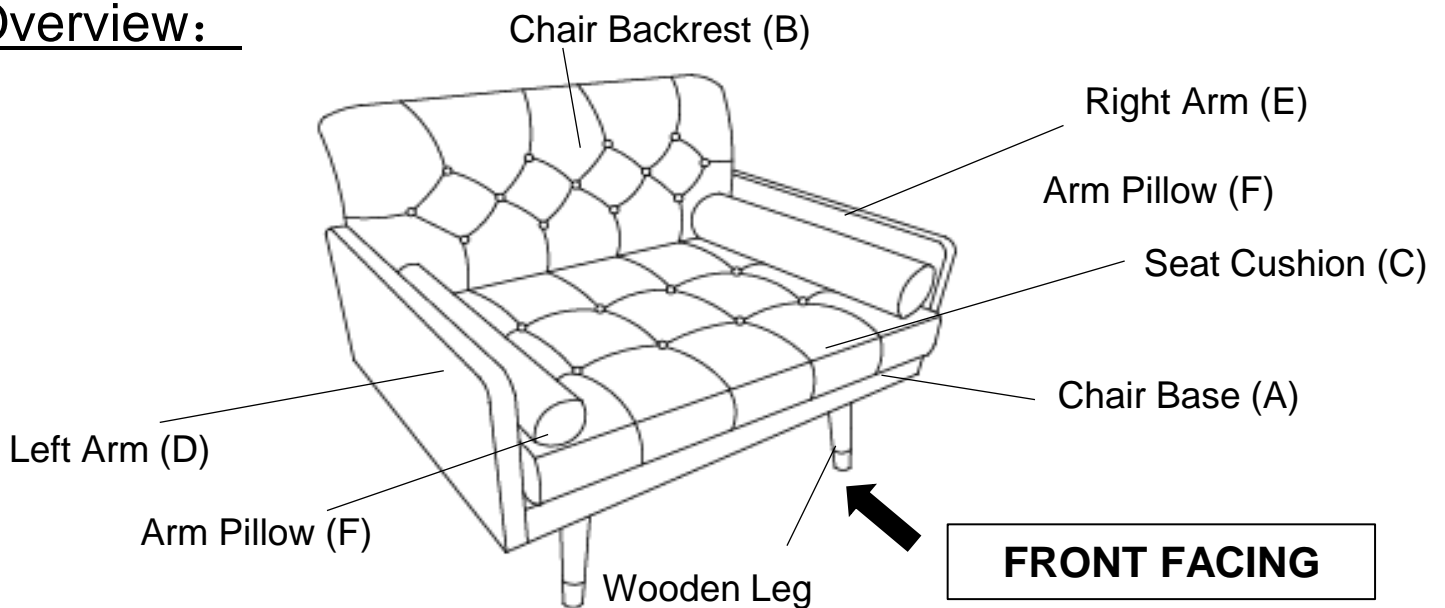
- Assemble on a clean non-marring surface (packing foam)-



- Save all packaging until finished-

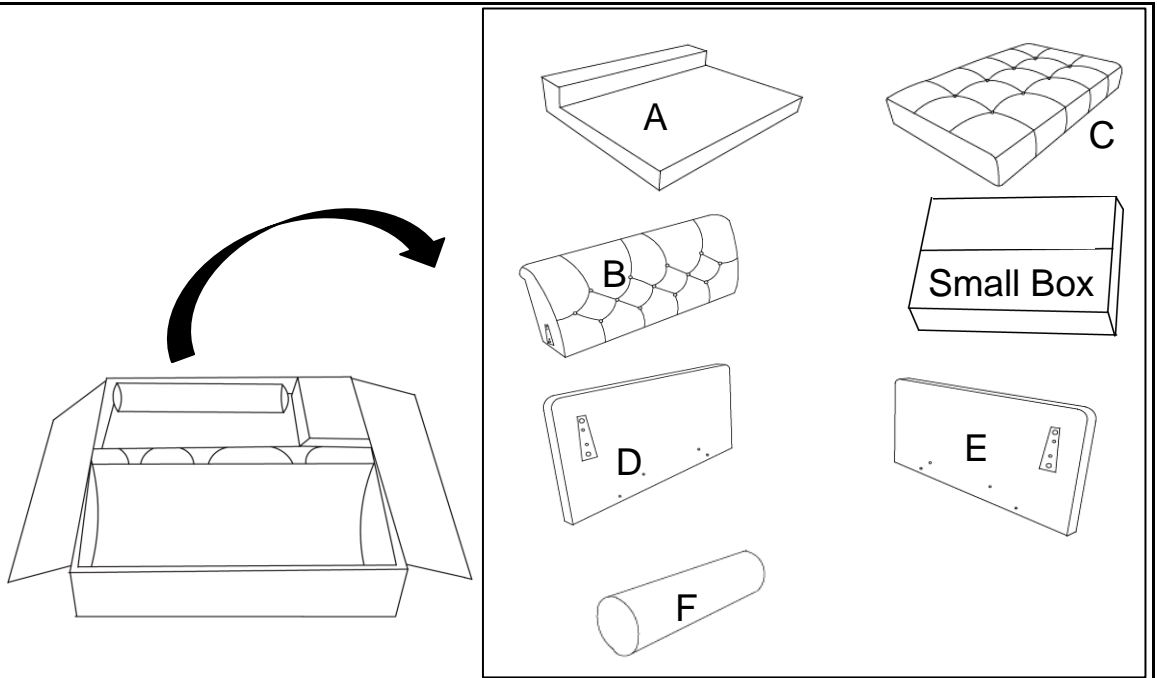
Assembly Steps

Overview:



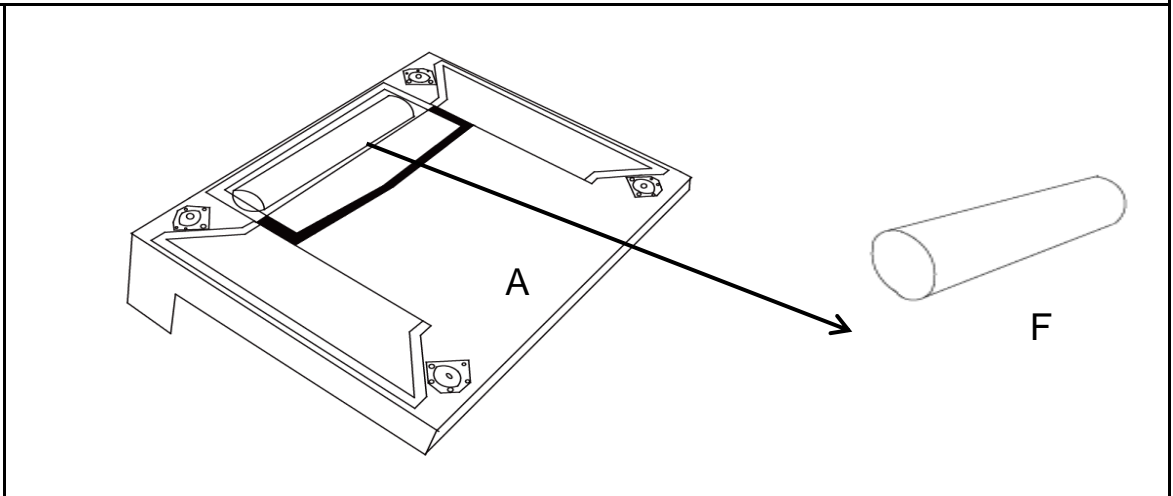
This Chair has multiple parts and may require about 30 minutes to assemble. To give you an overview of the Chair parts, the above picture is to help you put the various parts into perspective. Please read through the instructions below to familiarise yourself with the parts and steps before assembly.

Step 1



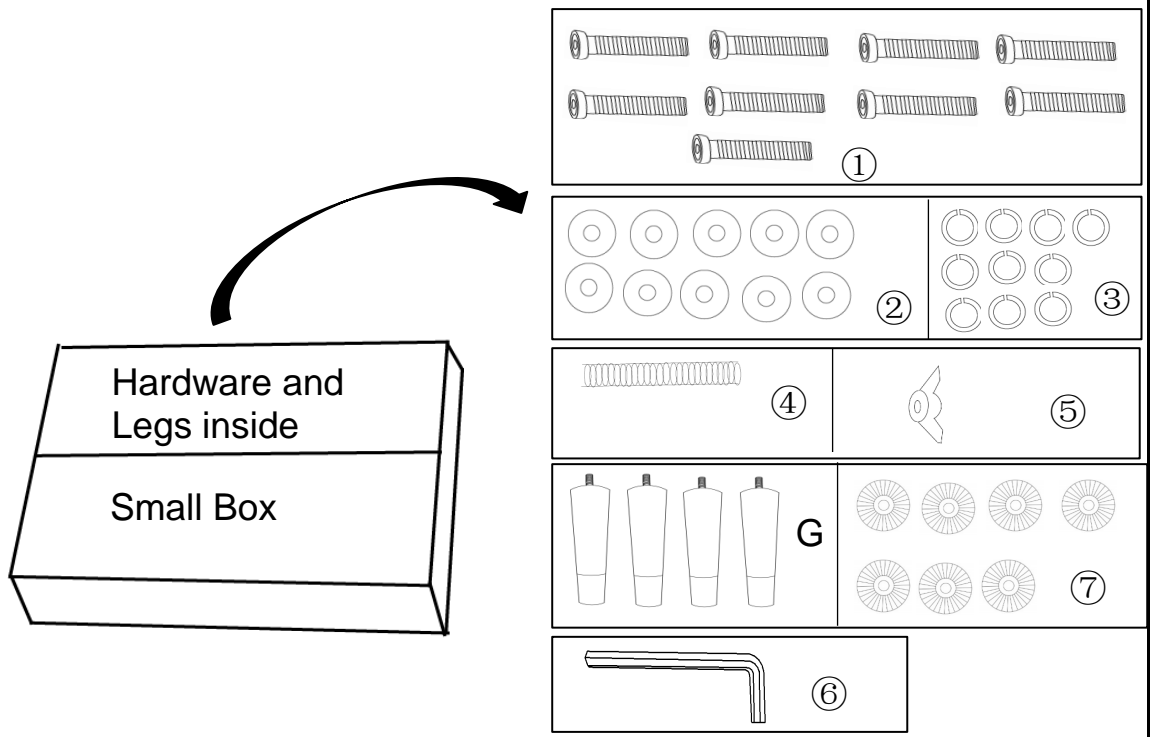
Take the Chair Base(A), Chair Backrest(B), Seat Cushion(C), Left Arm Board(D), Right Arm Board(E), Arm Pillow(F) and Small Box out from the carton and place them on a clean, non-marring surface.

Step 2



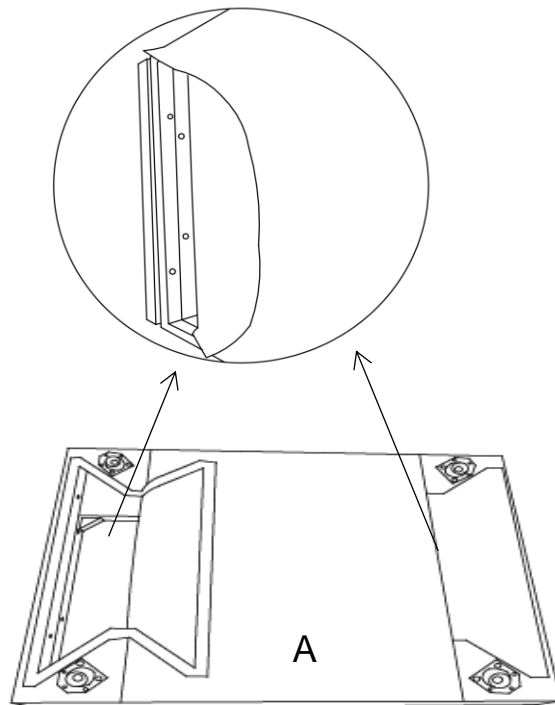
Carefully peel the back non-woven cover under the Chair Base(A) and to take out the other Arm Pillow(F).

Step 3



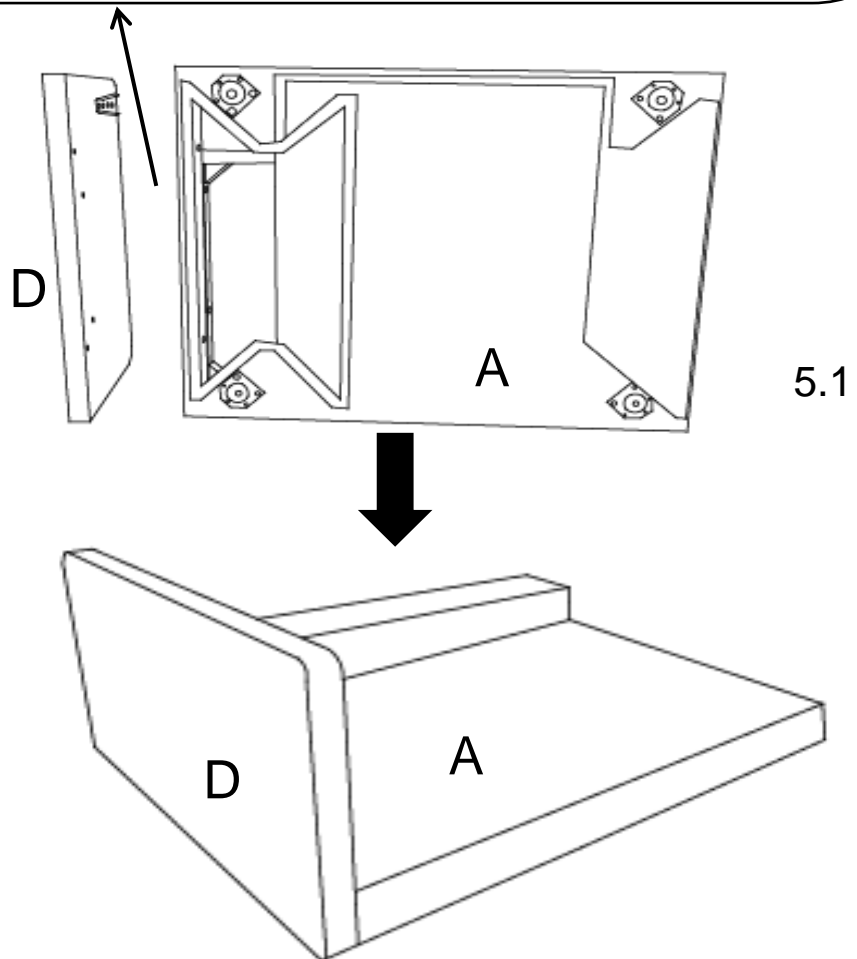
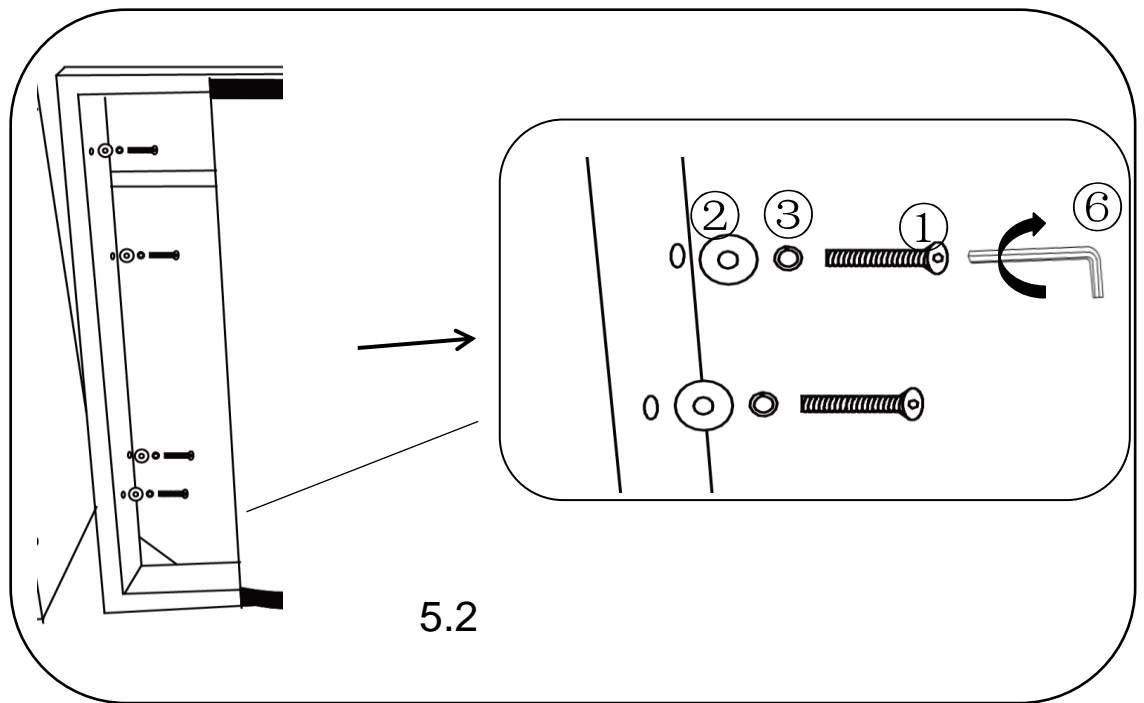
Open the Small Carton Box to take out the Wooden Legs(G), Gaskets(⑦), Bolts(①), Washers(②), Spring Washers(③), Double-threaded Bolts(④), Wing Nuts(⑤), and Allen Key(⑥).

Step 4



Turn the Seat Base(A) facedown.
Carefully peel back the left and right non-woven cover under the Seat Base(A) to expose the mounting positions.

Step 5

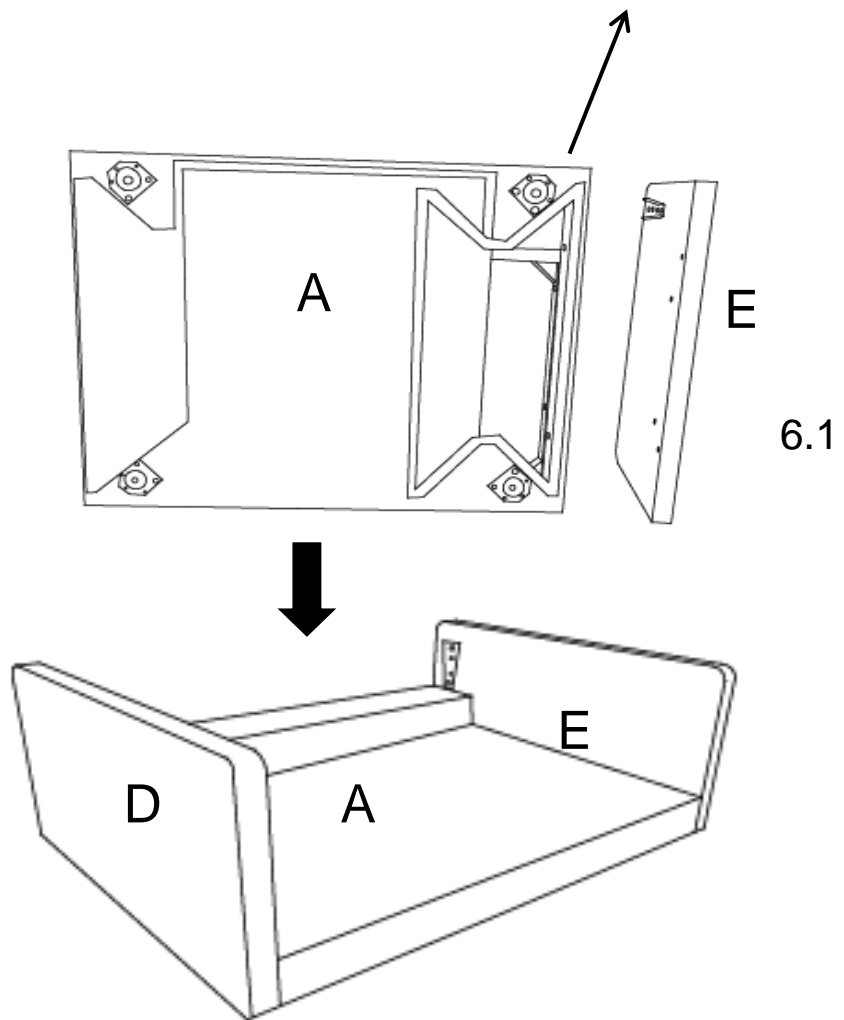
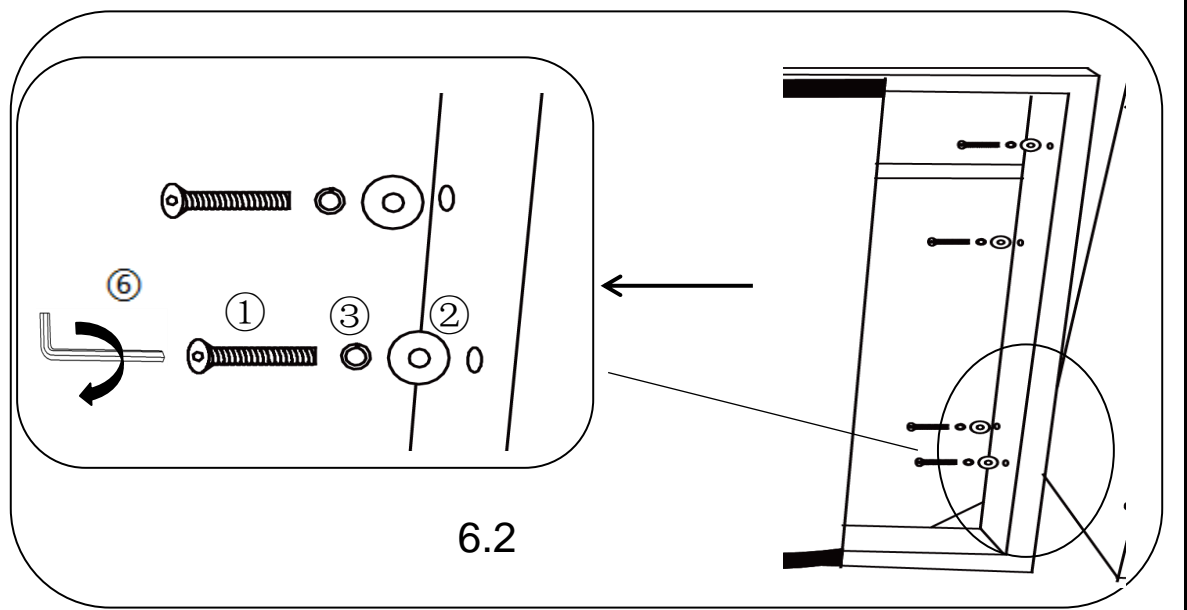


5.1) Align Left Arm Board(D) with the left side of the Chair Base(A).

5.2) Attach Left Arm Board(D) to Sofa Base(A) using Bolts(①), Spring Washers(③), and Washers(②) with Allen Key(⑥).

Tighten the Bolts fully in a sequential manner.

Step 6

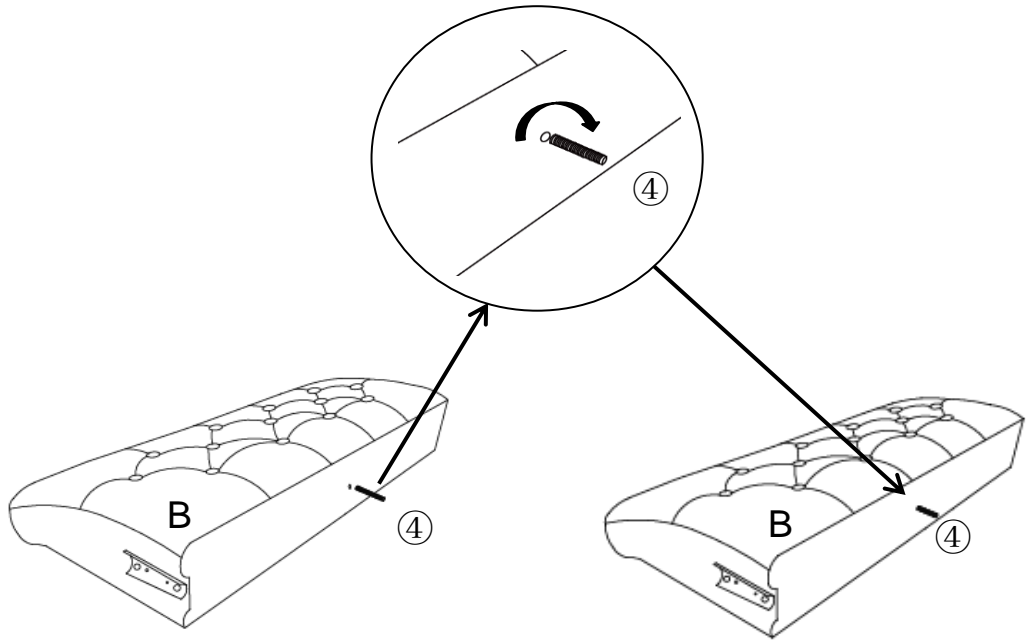


6.1) Align Right Arm Board(E) to the right side of the Chair Base(A).

6.2) Attach Right Arm Board(E) to Sofa Base(A) using Bolts(1), Spring Washers(3), and Washers(2) with Allen Key(6).

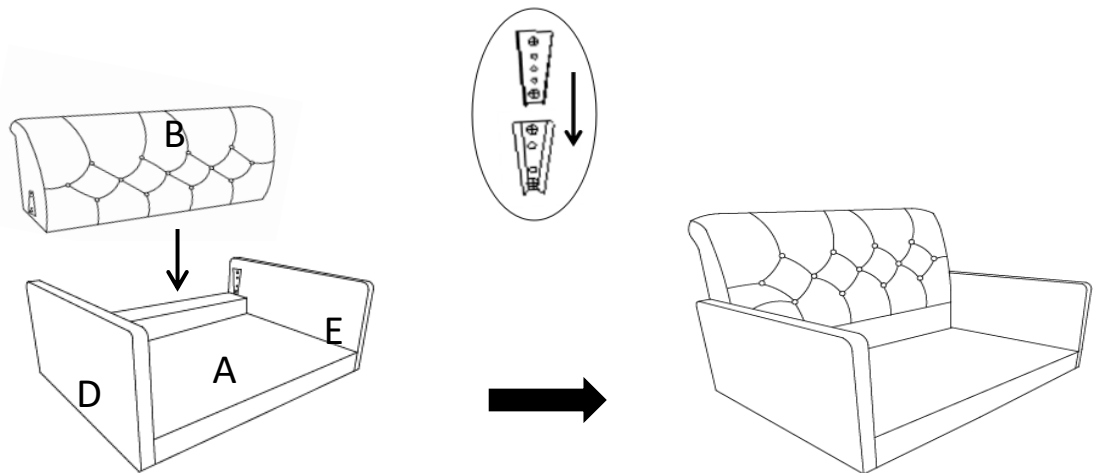
Tighten the Bolts fully in a sequential manner.

Step 7



Locate the mounting position under the Chair Backrest(B), then insert Double-threaded Bolt(④) into the mounting position and tighten clockwise by hand.

Step 8

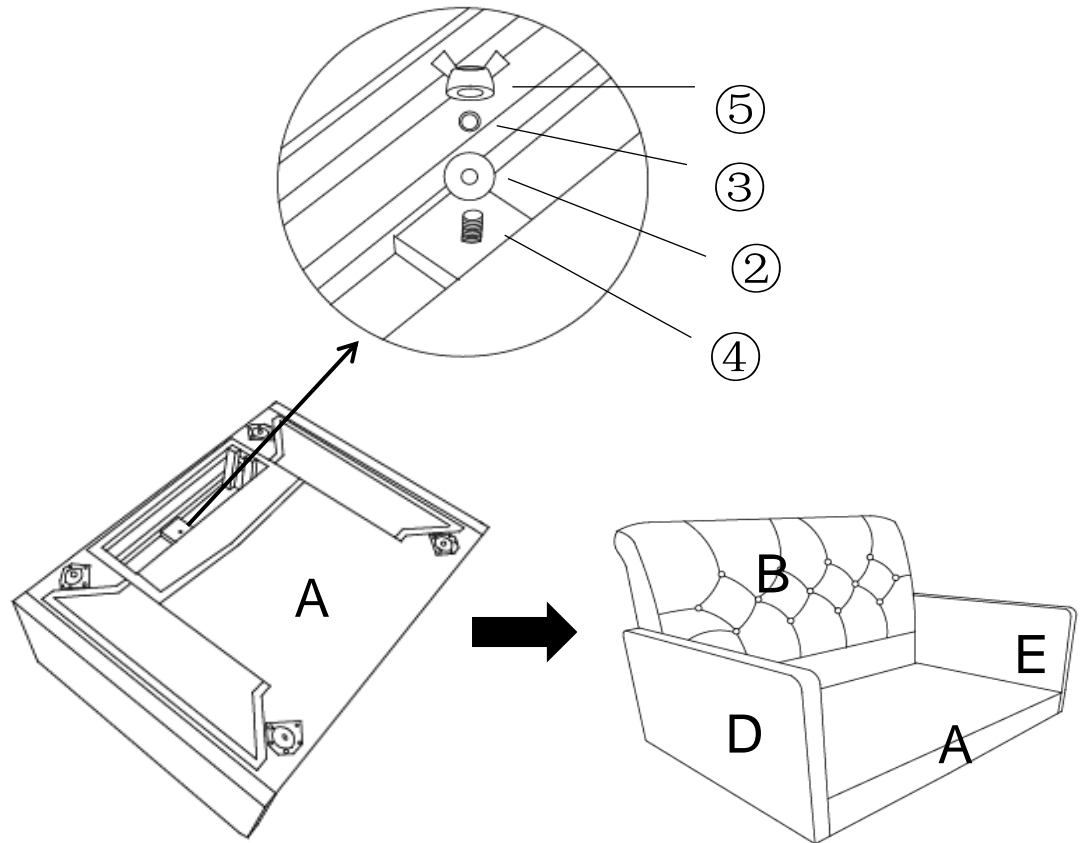


With assistance from your adult partner, hold up the Chair Backrest(B), while standing behind the Chair Base(A).

Align the mounting brackets on both sides of the Chair Backrest(B) with those on the Left Arm Board(D) and Right Arm Board(E).

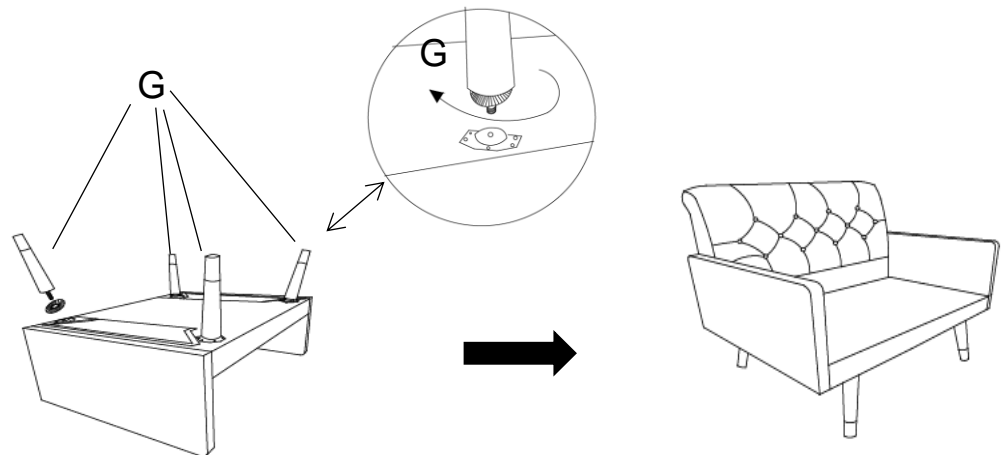
Then slide Chair Backrest(B) downward and while inserting the Double-threaded Bolt(④) into the mounting position on Chair Base(A) by hand to make sure it locks into place as pictured

Step 9



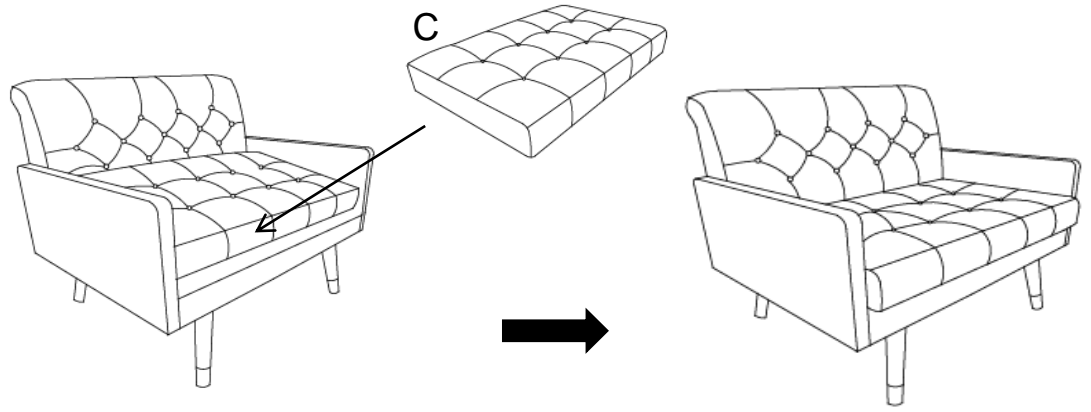
Open the back non-woven cover under Chair Base(A).
You will see one mounting position on the back panel of the Chair Base(A).
Then, place Washer(②) and Spring Washer(③) onto the Double-threaded Bolts(④), and secure using Wing Nut(⑤).
Tighten the Wing Nut fully by turning it clockwise by hand.

Step 10



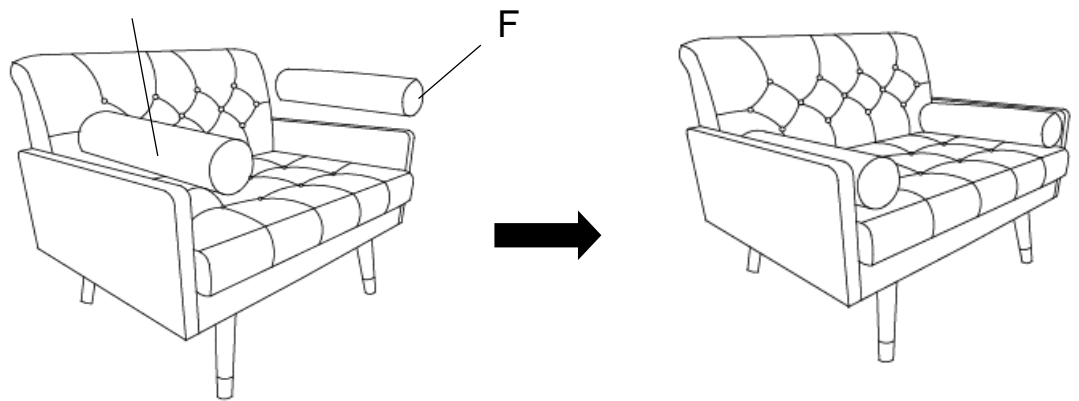
Install the Wood Legs(G) at the bottom of the Chair by placing one Gasket(⑦) on the threaded stem.
Then insert threaded stem into the mounting position at the corner of the Chair.
Tighten by turning the Leg clockwise.
Note: The use of Gaskets are OPTIONAL and are especially useful to help alleviate slight wobbleness. Some Legs may need more than one Gasket whilst some Legs may not need any.

Step 11



Put the Seat Cushion(C) on the Chair Base(A).
F

Step 12



Place Arm Pillows(F) against Left Arm Board(D) and Right Arm Board(E).
Your Chair is ready for use.

This Chair can only be used on a flat, level surface.

Care & Maintenance



- Furniture may scratch floors. We recommend using furniture pads to protect your floors.



- Do not put hot items directly on furniture surface.



- Do not clean furniture with harsh cleansers or polish.



- Do not place furniture under direct sunlight.



- Do not place furniture near heating or cooling vents.



- Do not write on furniture without a padded barrier to protect the surface.



- Do not place furniture outside . For indoor use only.



- Not for commercial use. For residential use only.



- Stains may be removed with mild soap solution and damp cloth.



- Children should not climb or jump on the furniture.



- Dust and pick-up spills using a clean, non-colored, lint-free cloth.