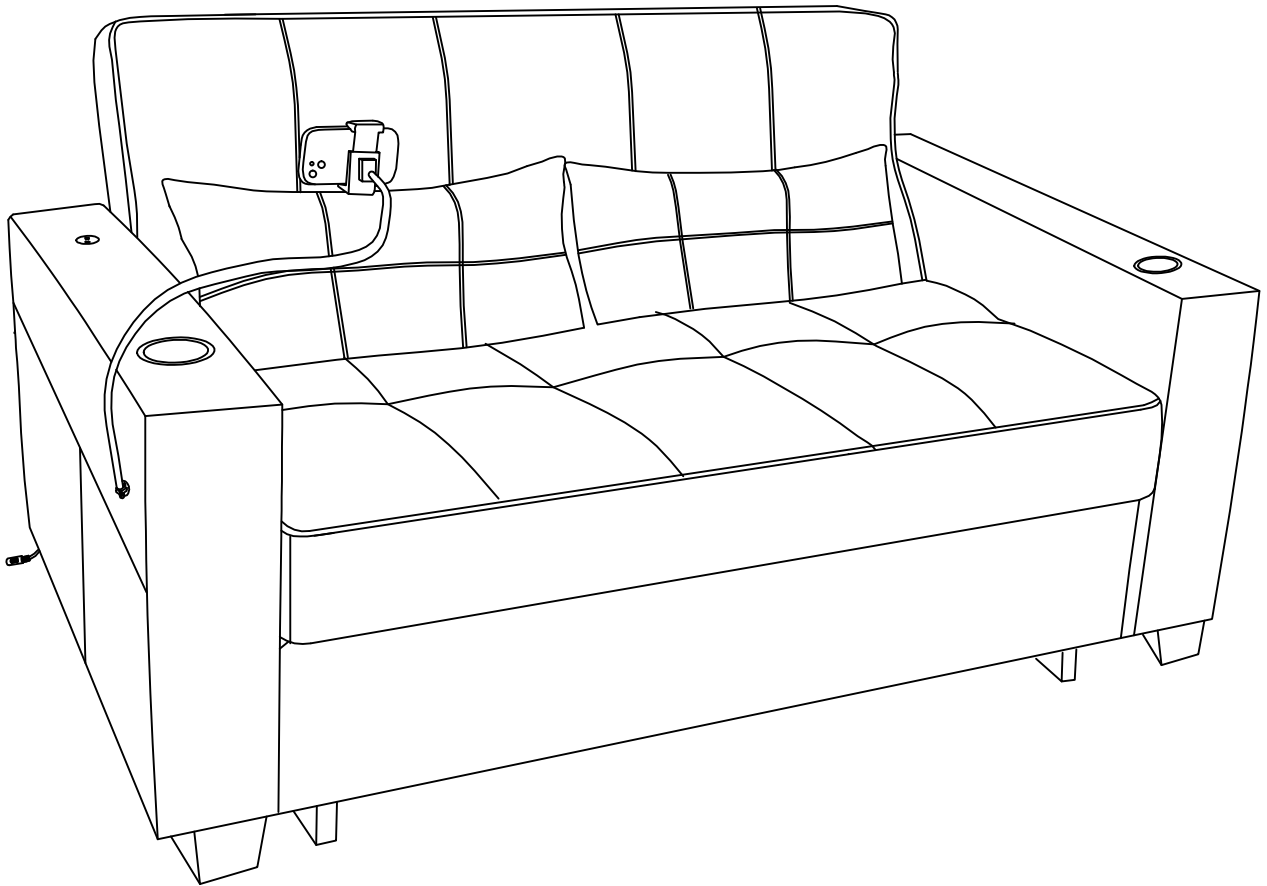


INSTRUCTION MANUAL

SOFA BED



CUSTOMER SERVICE

Questions, Missing parts, Assembly help?
No need to return the product, please contact us and we will gladly help and ship your replacement parts free of charge.

⚠ This instruction booklet contains important safety information.
Please read and keep for future reference.

PRE-ASSEMBLY INFORMATION

IMPORTANT: Please read this manual carefully before beginning assembly of this product. Keep this manual for future reference.

NOTICE

- Please keep this manual and hand it over when you transfer the product.
- Please read the following instructions carefully and use the product accordingly.
- This summary may not include every detail of all variations and considered steps. Please contact us when further information and help are needed.
- Please do not exceed the weight limitations of this item.
- Do not stand on or use any part of this item as a step ladder.
- If any parts are missing, broken, damaged, or worn, stop using this item until repairs are made and/or factory replacement parts are installed.
- Please assemble the item in a spacious room and do not place the unwrapped product directly on the ground to avoid damage.
- Do not use this item in a way inconsistent with the manufacturer's instructions as this could void the product warranty.
- Periodically inspect screw tightness while the product is in use. If necessary, retighten to ensure structural integrity.
- To avoid the potential dangers of suffocation, please keep all parts and packaging (films, plastic bags and foam, etc.) away from children and pets.
- Do not use or store this item in the proximity of open flame or flammable/combustible chemicals.
- Do not expose product to direct sunlight exposure or rain, and do not put it in a humid place. Failure to do so may accelerate the distortion or discoloration.



TWO PERSON ASSEMBLY



UP TO 30 MINUTES
FOR ASSEMBLY

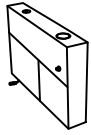


WEIGHT LIMITATION
380LBS

IMPORTANT

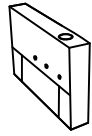
1. Do not tighten bolts / screws completely until all bolts / screws are lined up and inserted into holes.
2. Do not over tighten screws and bolts to avoid stripping.
3. Please use hand tools to assemble this product. If you're using power tools, remember to set the tool to low torque to avoid damage.

COMPONENTS



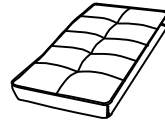
1PC

A LSF Arm



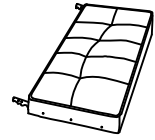
1PC

B RSF Arm



1PC

C Back



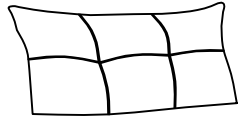
1PC

C1 Seat



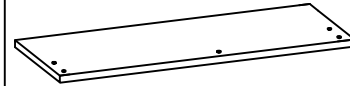
1PC

D Footrest



2PCS

E Pillow



1PC

F Front Panel



1PC

G Back Panel

HARDWARE

H



4PCS

I



1PC

J



1PC

K



2PCS

L



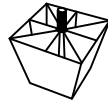
M6*16 32PCS

M



M8*85 6PCS

N



4PCS

O



M8 6PCS

P



M8*Ø20*2 8PCS

Q



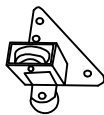
1PC

R



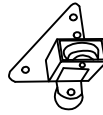
1PC

S



1PC

T



1PC

U



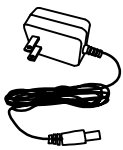
4PCS

V



1PC

W



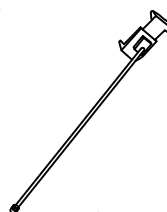
1PC

X



M6*35 1PC

Y



1PC

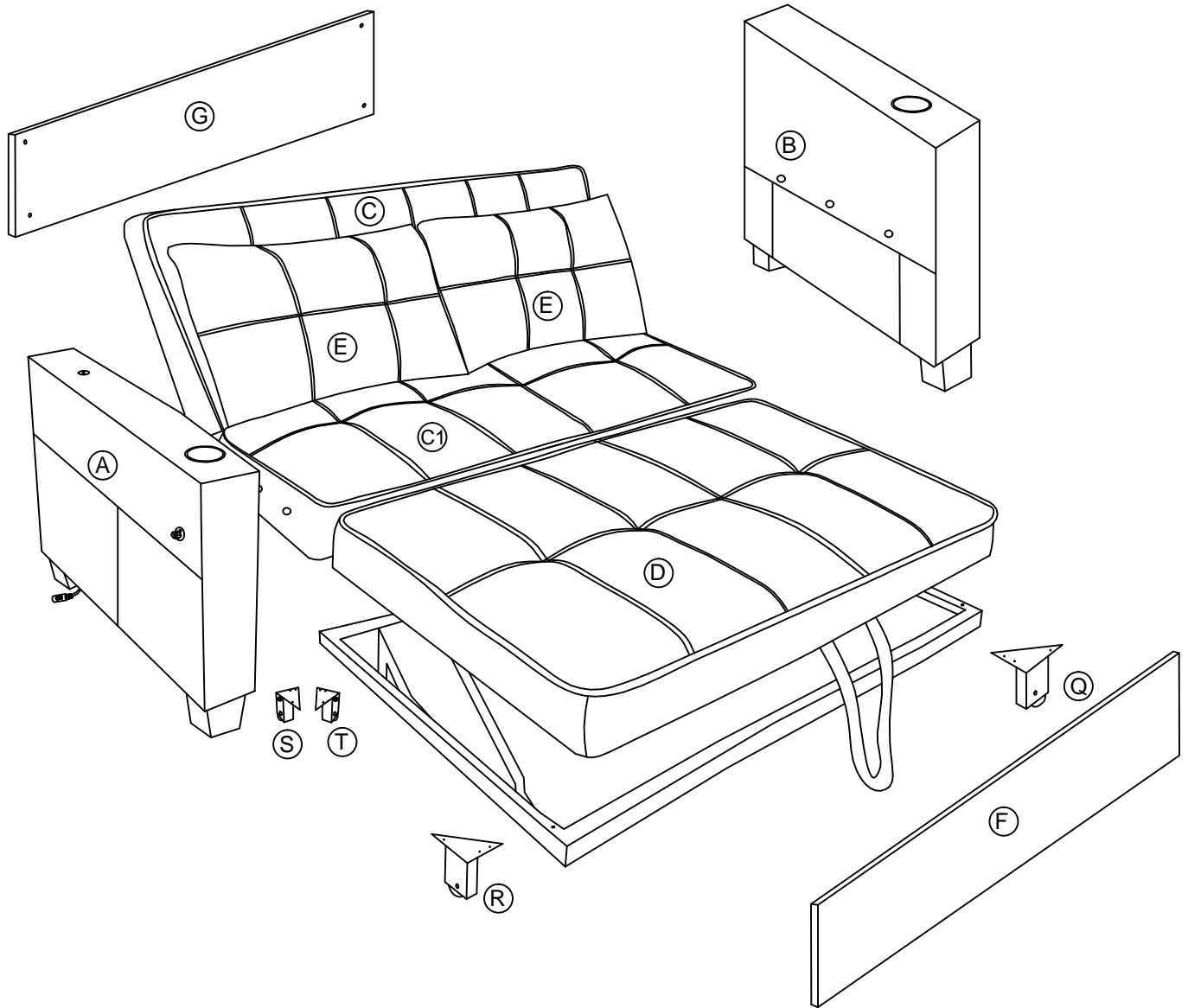
Z



1PC

The hardware quantities listed above are required for proper assembly.
Some extra bolt and washer may also have been included.

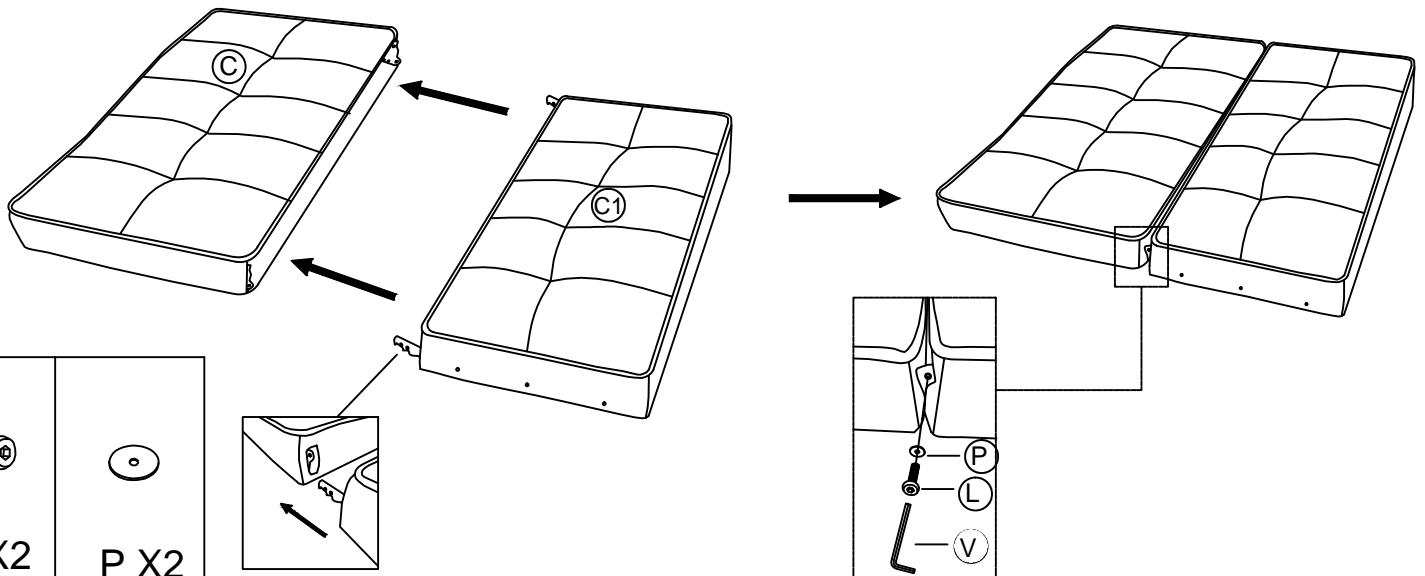
COMPONENTS



⚠ IMPORTANT: Do not tighten bolts completely until all bolts are lined up and inserted into holes.

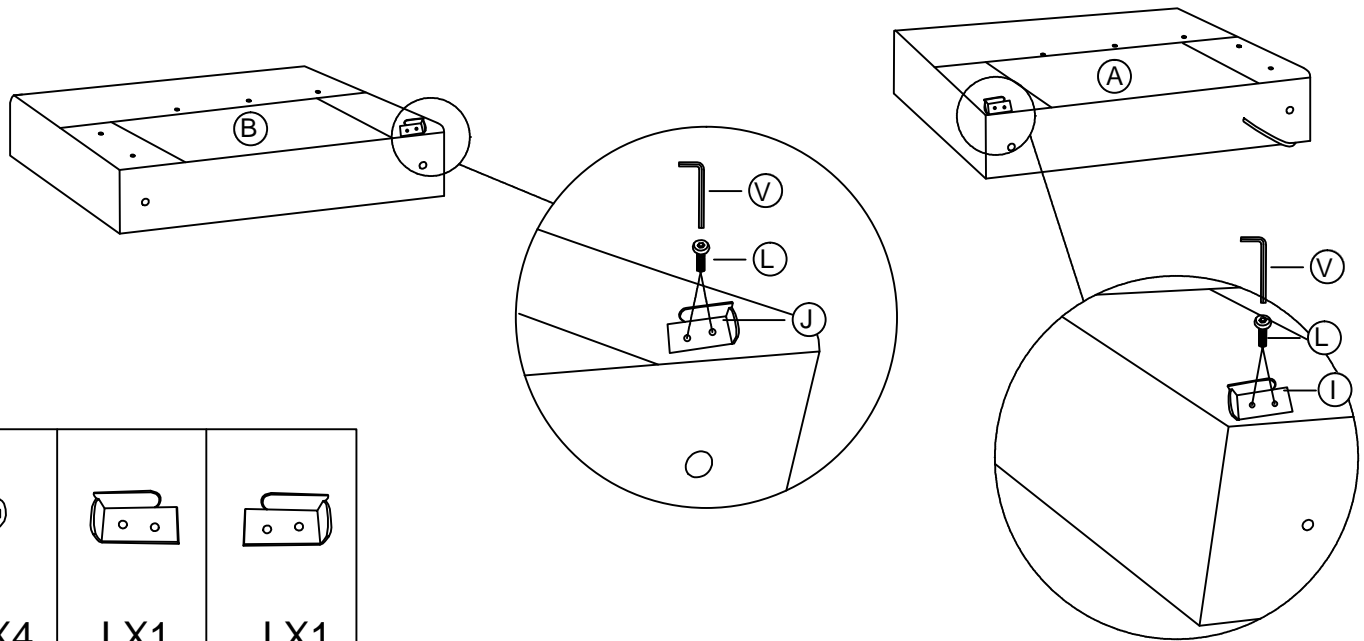
ASSEMBLY STEPS

STEP 1 Install the seat C1 to the back C with bolts L and washers P.

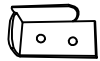


ASSEMBLY STEPS

STEP 2 Install the brackets I&J to the arms A&B with bolts L.



L X4

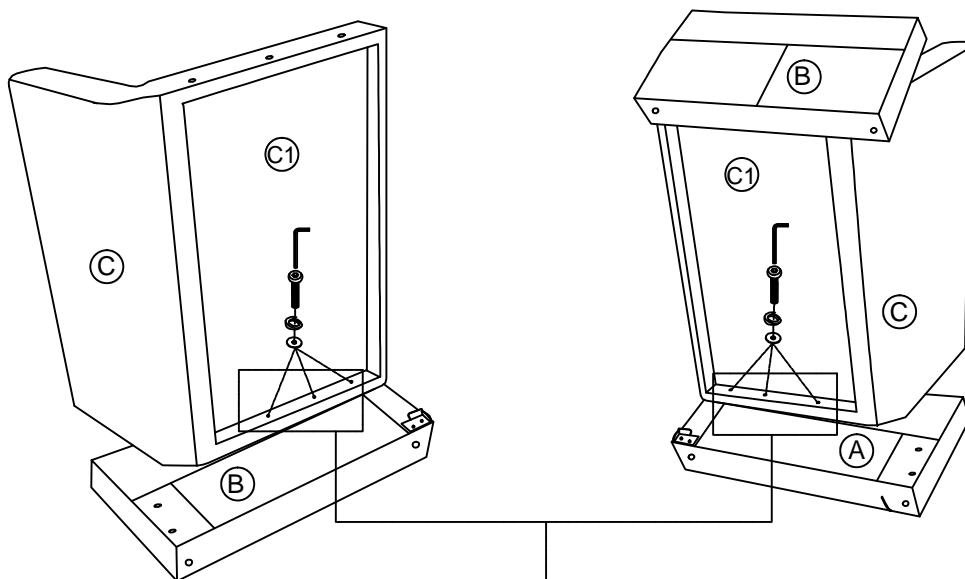


I X1



J X1

STEP 3 Attach the arms A&B to the seat C1 with bolts M and washers O&P. Do not fully tighten bolts M until the back panel G is installed.



O X6



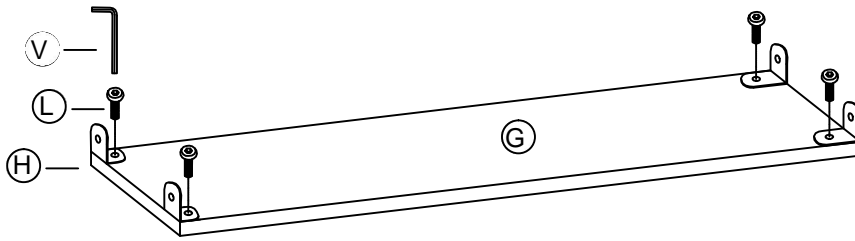
P X6



M X6

ASSEMBLY STEPS

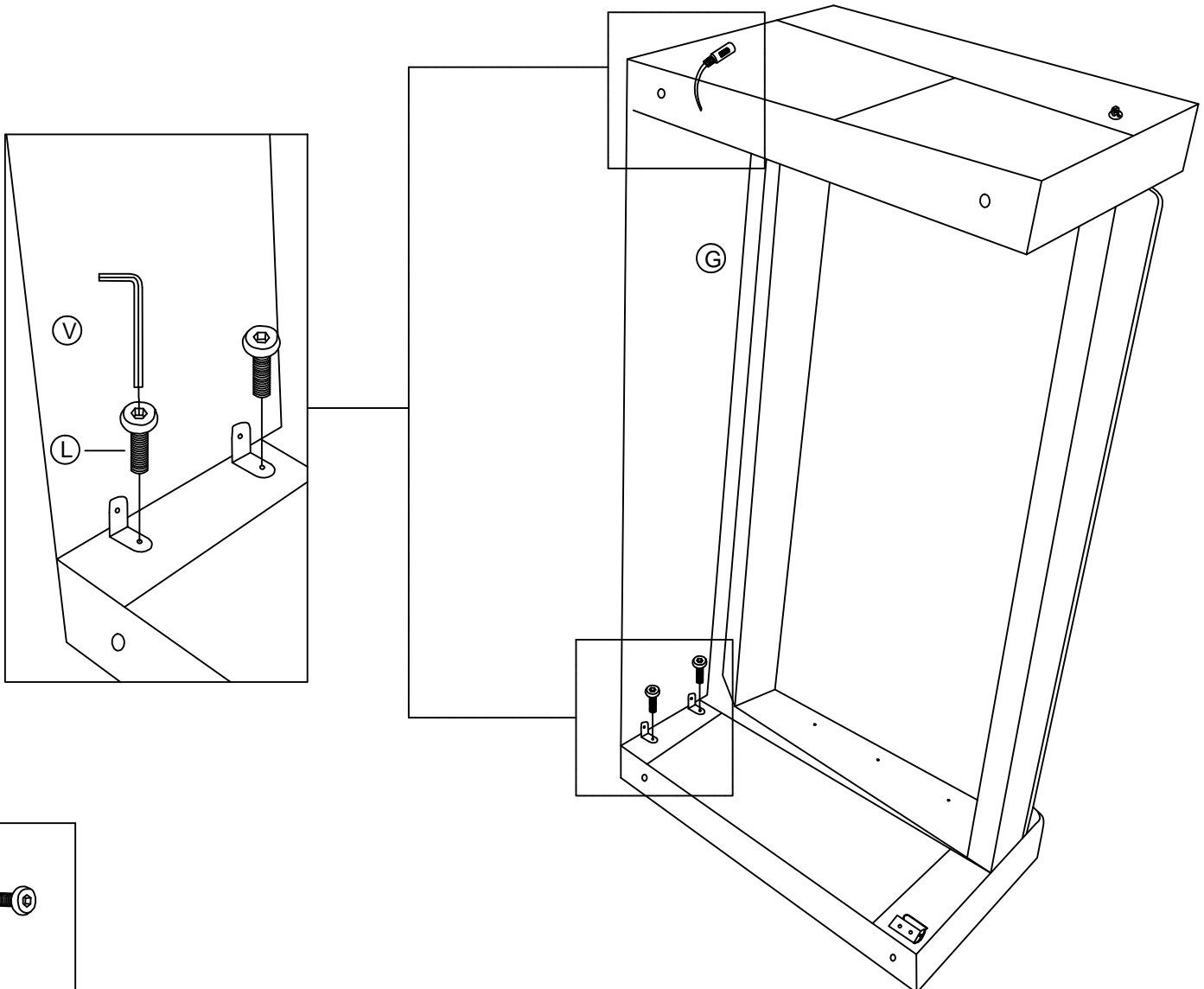
STEP 4 Install the brackets H to the back panel G with bolts L.



L X4

H X4

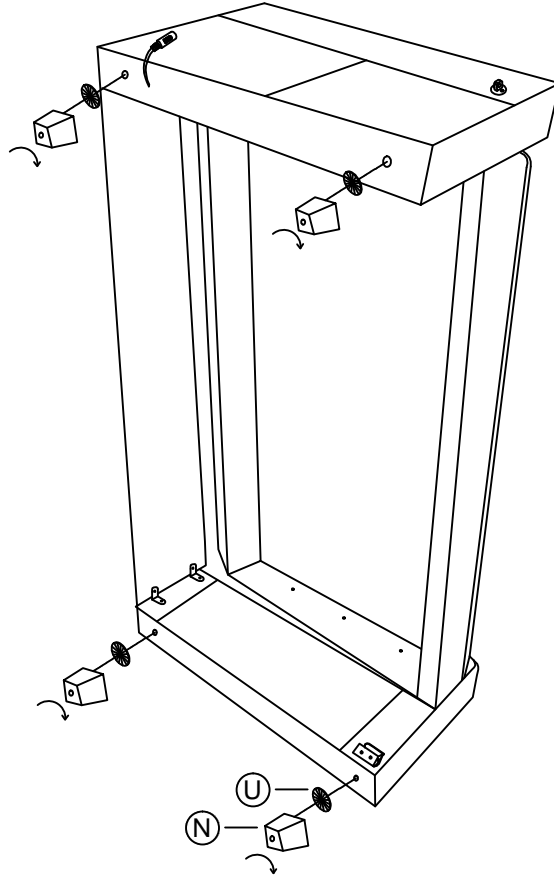
STEP 5 Attach the back panel G to the frame from step 2 with bolts L. Tighten all bolts from step 2.



L X4

ASSEMBLY STEPS

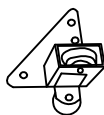
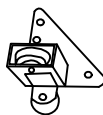
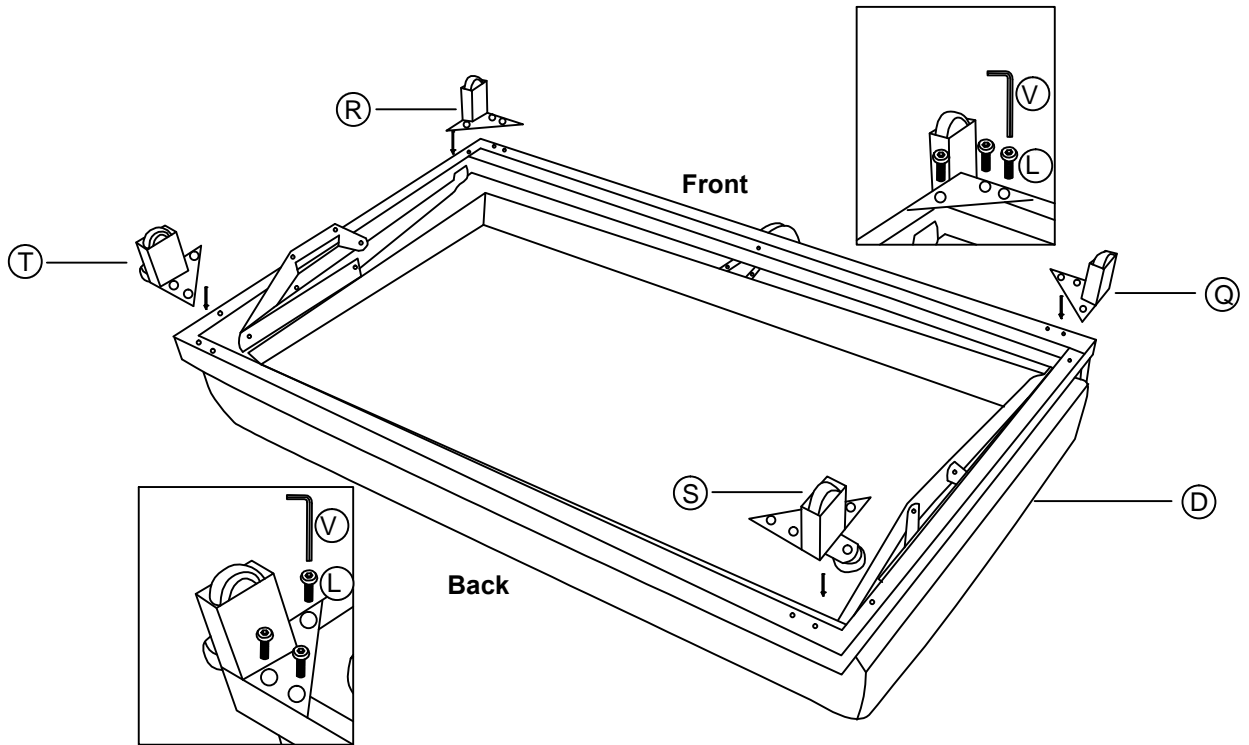
STEP 6 Screw in legs N and washers U clockwise until secure.



U X4

N X4

STEP 7 Install the wheels Q&R&S&T to the footrest D with bolts L.



L X12

Q X1

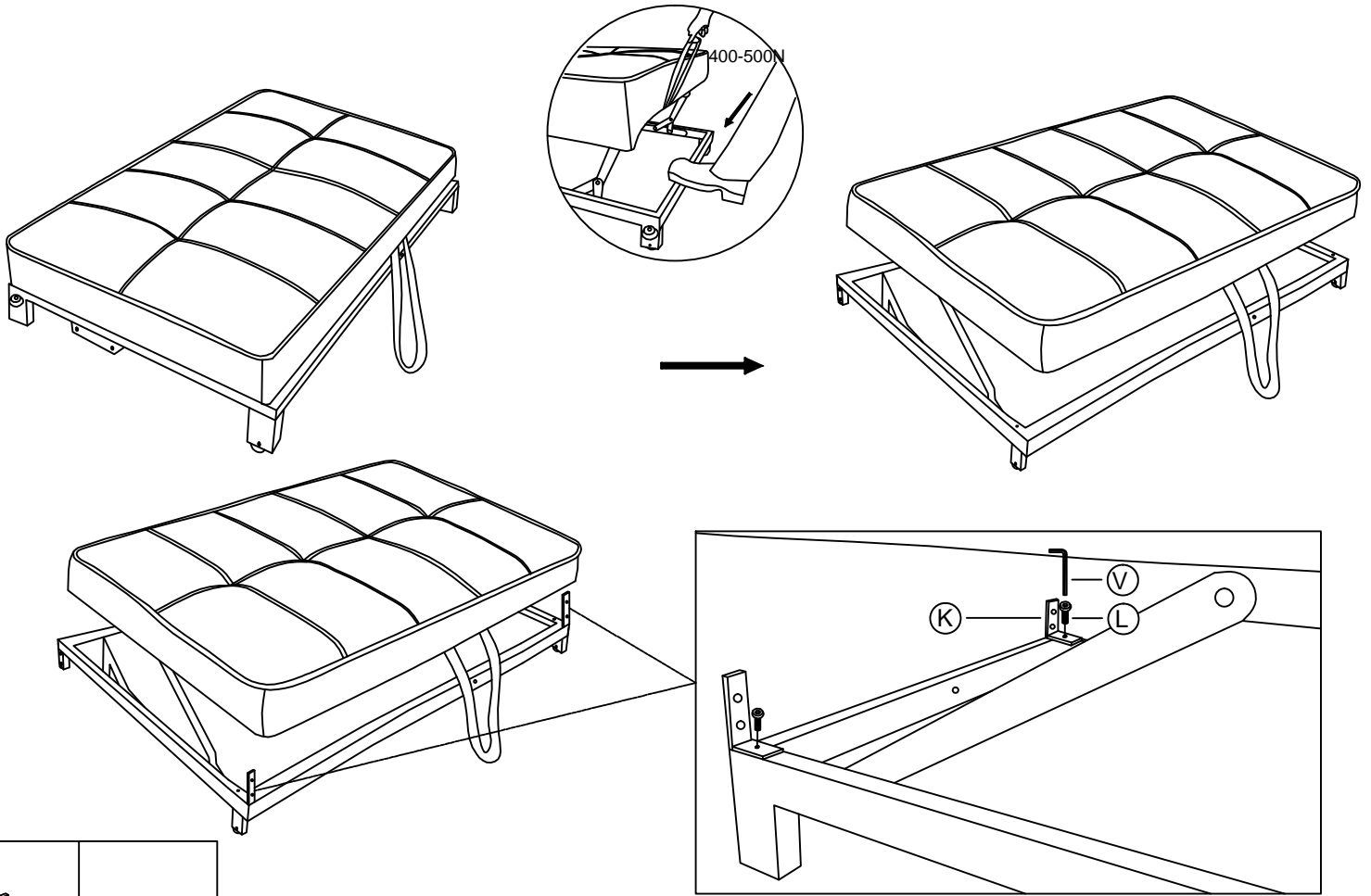
R X1

S X1

T X1

ASSEMBLY STEPS

STEP 8 Install the parts K to the footrest D with bolts L.

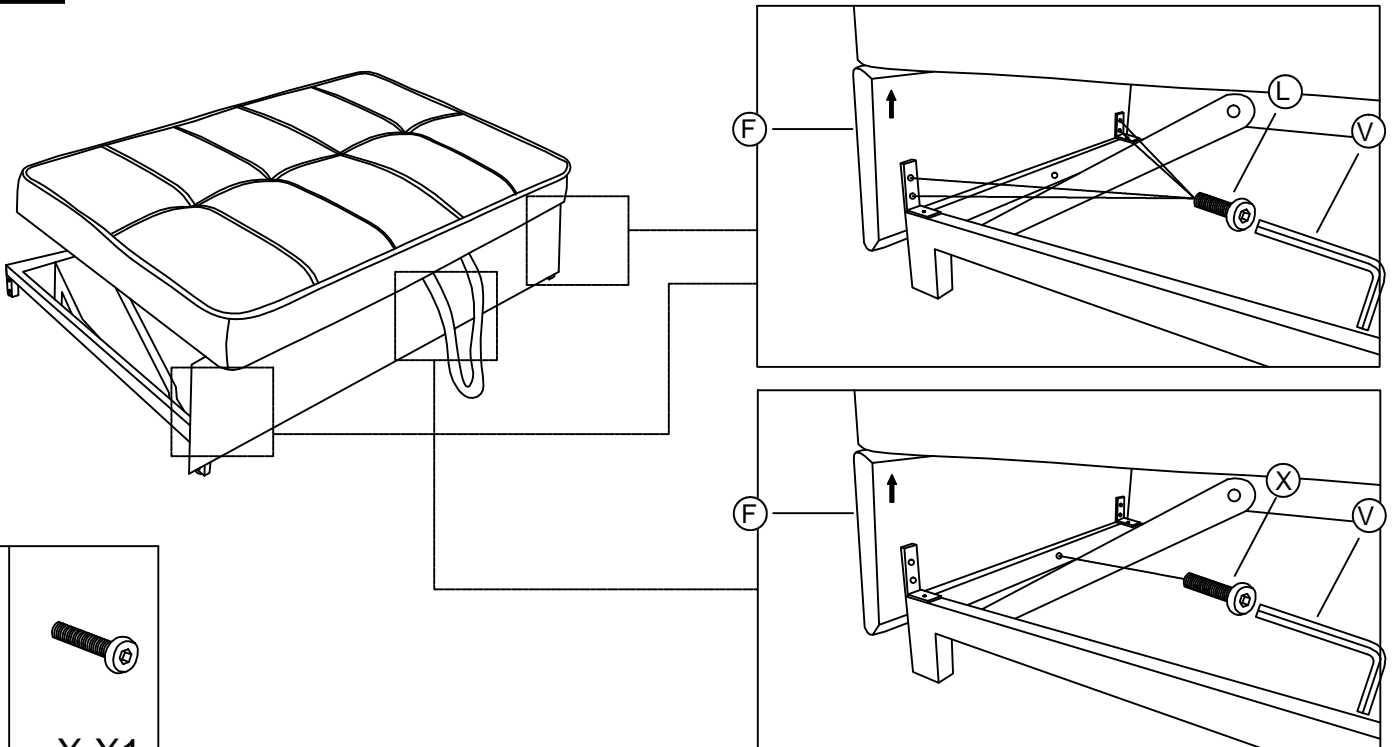


K X2



L X2

STEP 9 Attach the front panel F to the footrest D with bolts L and bolt X.



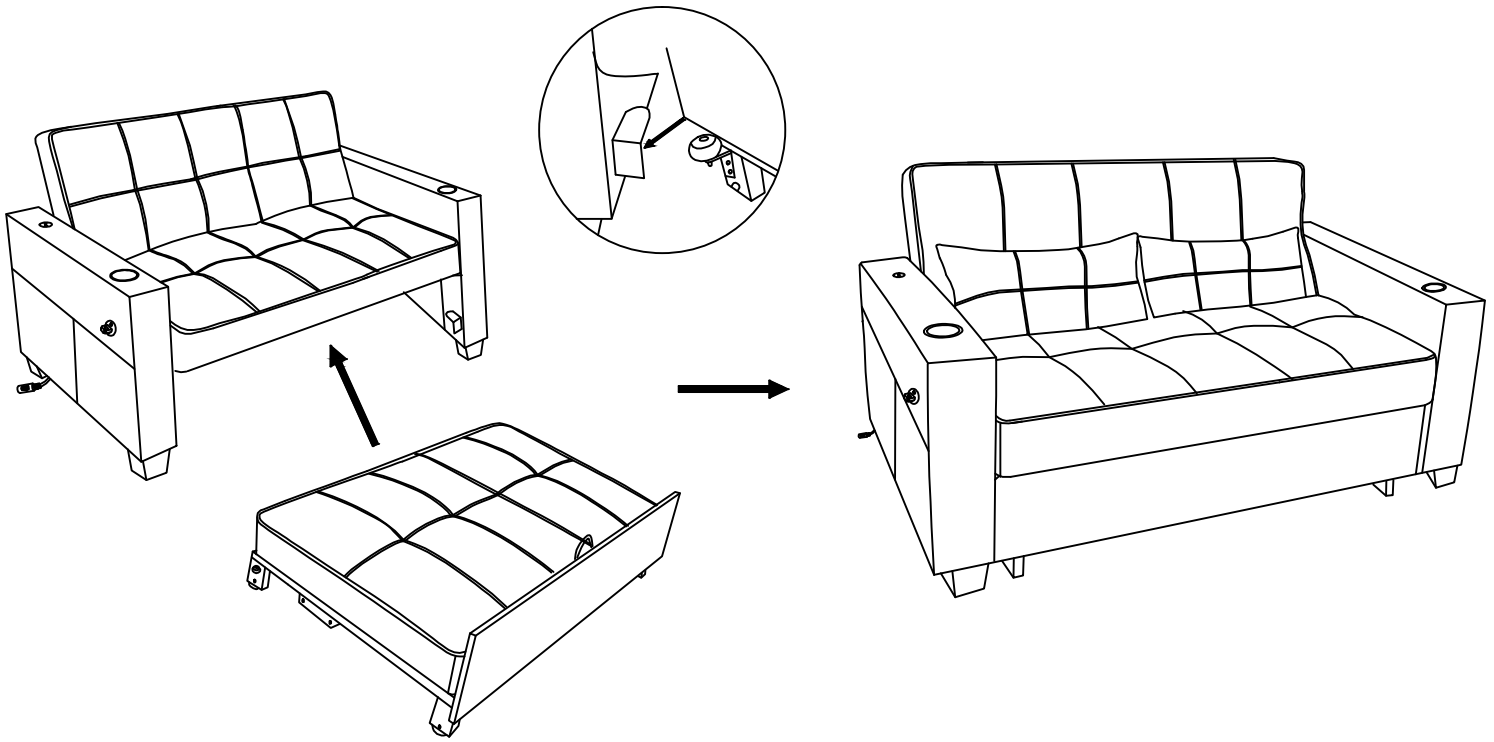
L X4



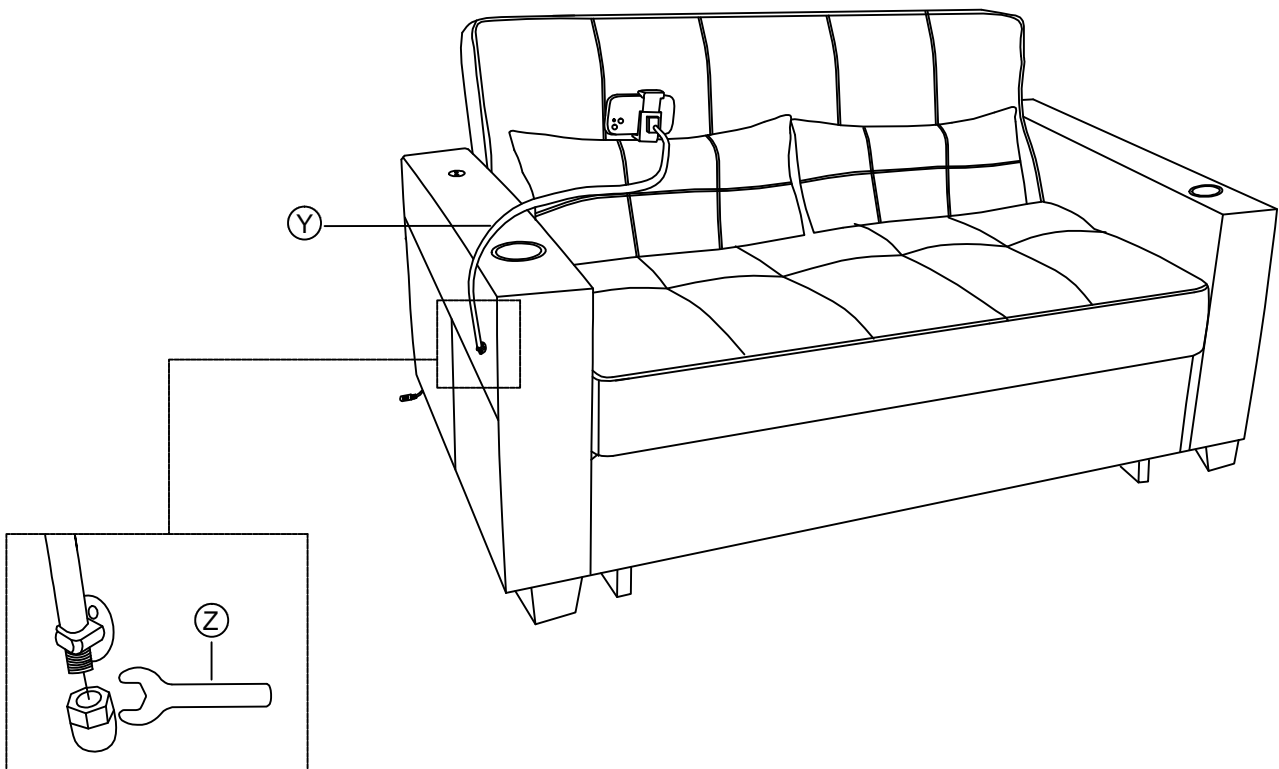
X X1

ASSEMBLY STEPS

STEP 10 Slightly lift up the chair and slide the footrest into position.



STEP 11 Install the phone holder Y using the wrench Z.



HOW TO USE THE SLEEPER CHAIR

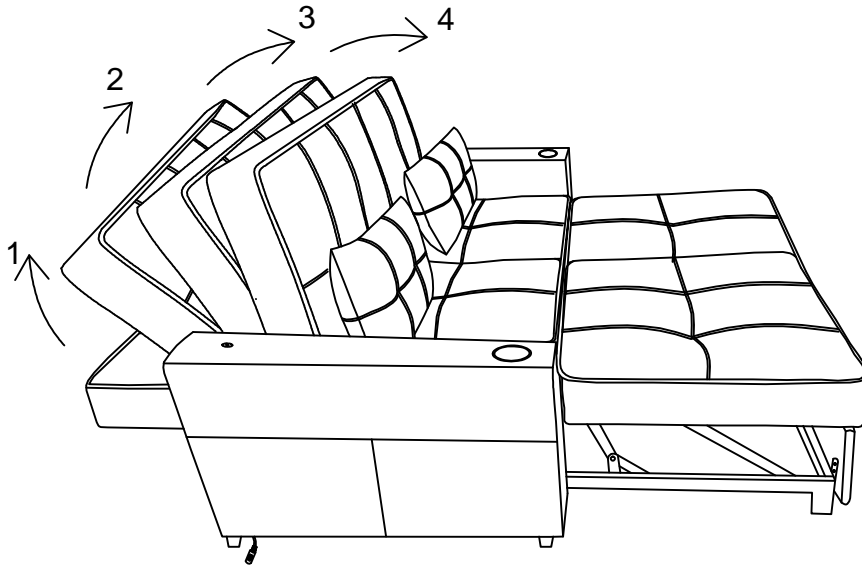
Adjust the backrest and find the mode suits you!

1 - bed mode

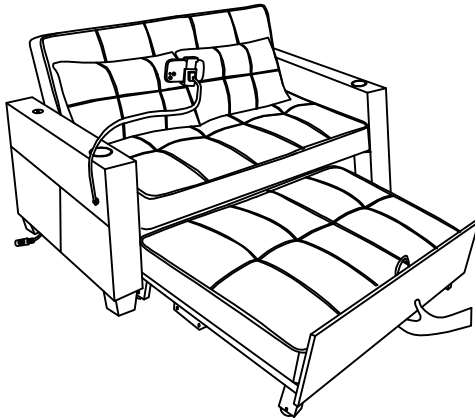
2 - recliner mode

3 - chair mode

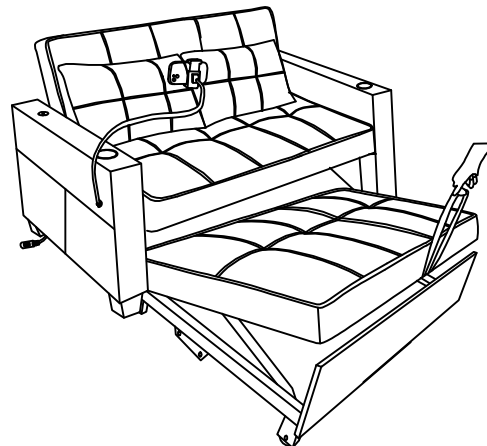
4 - push the backrest and release the backrest adjustment



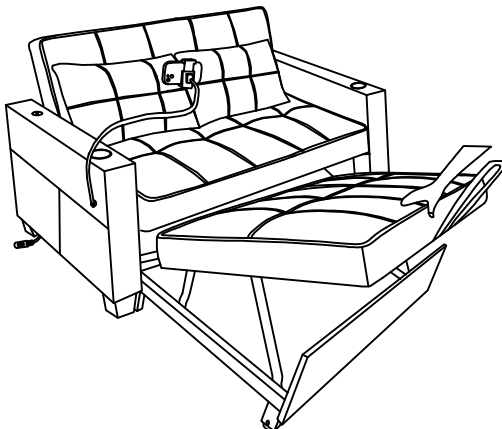
HOW TO USE THE SLEEPER CHAIR



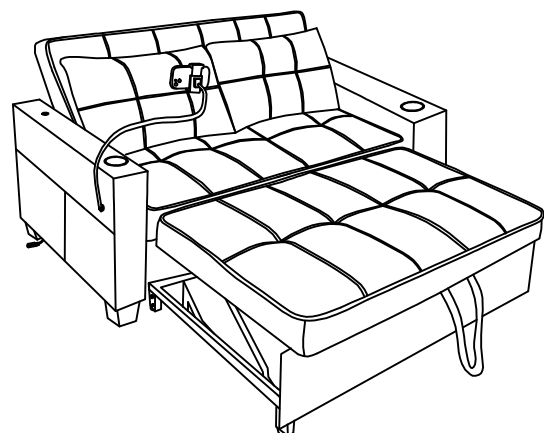
STEP 1



STEP 2



STEP 3



STEP 4