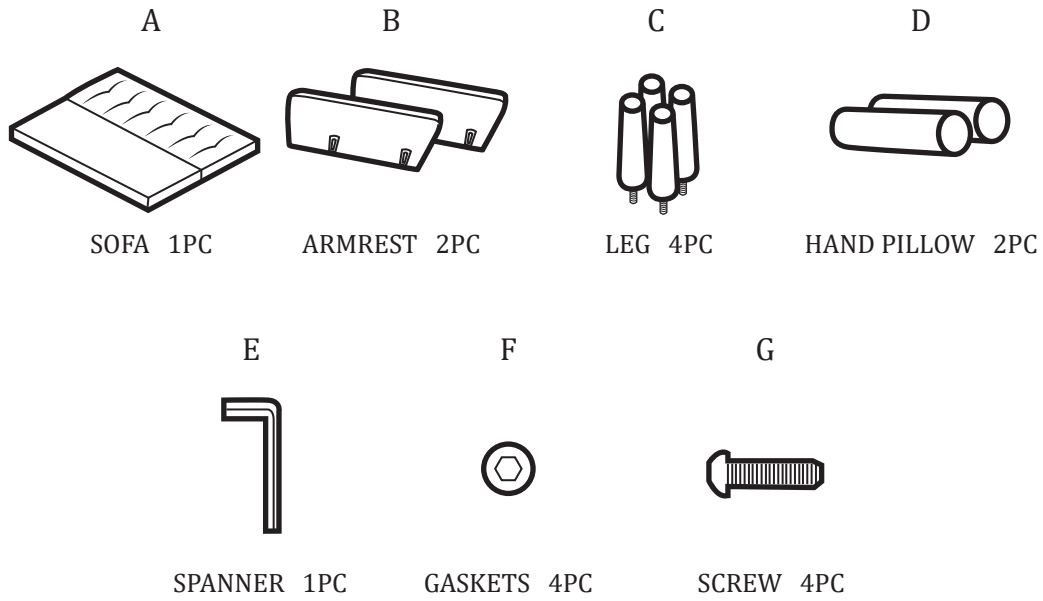
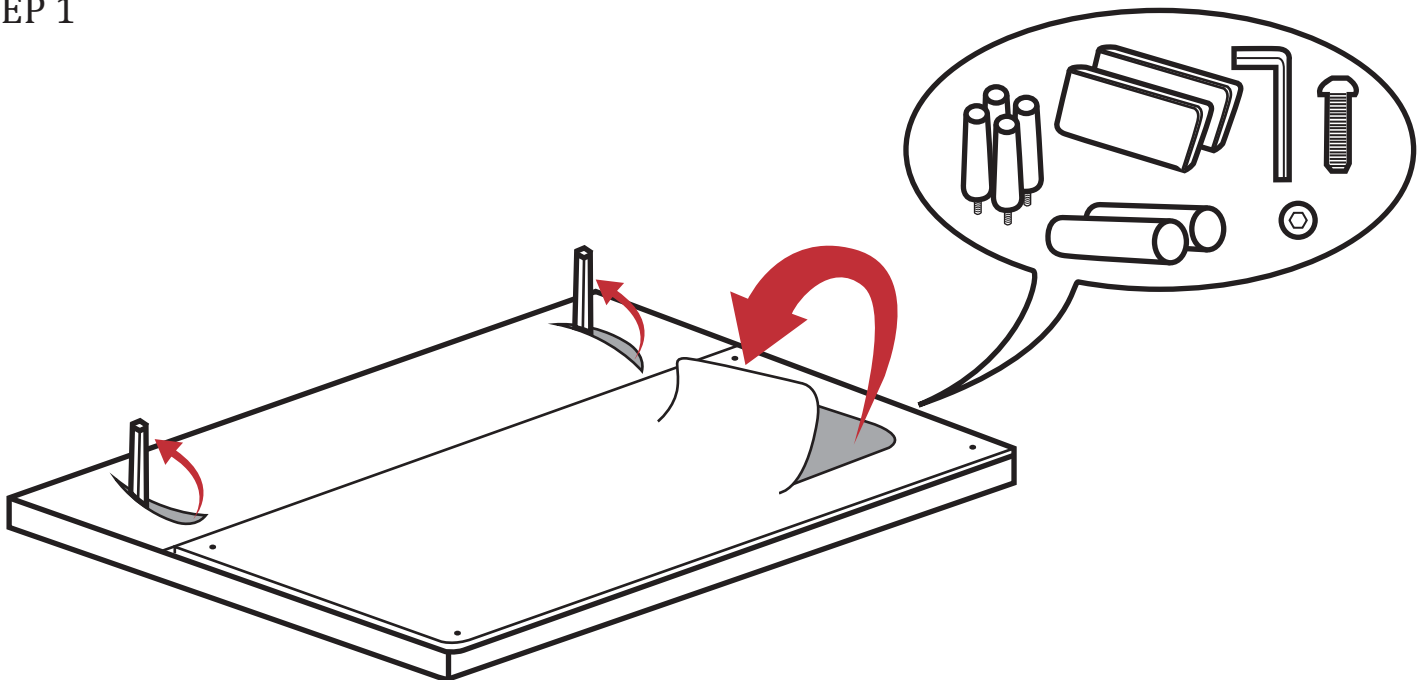


ASSEMBLY INSTRUCTIONS

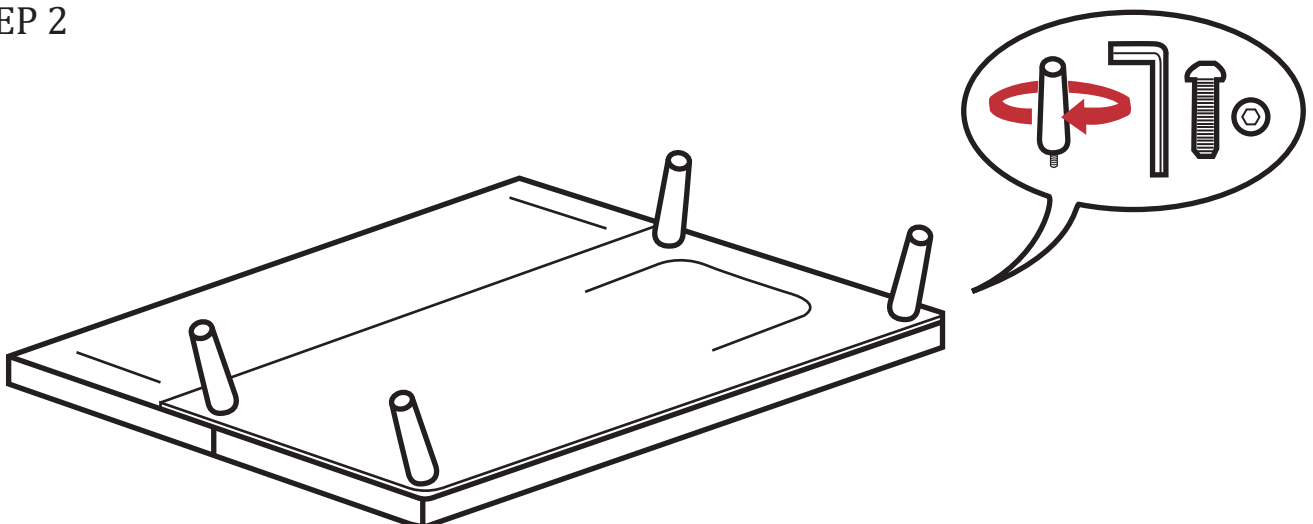
PARTS LIST:



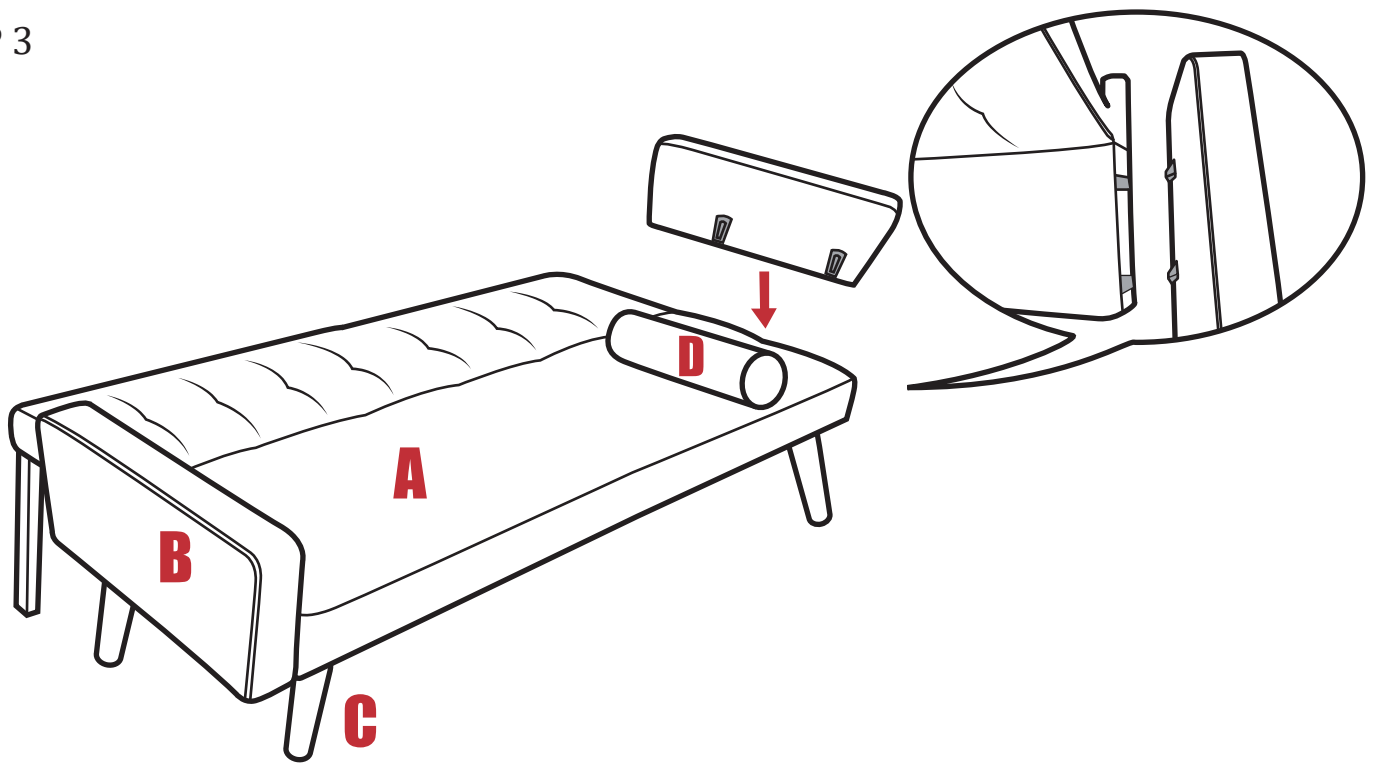
STEP 1



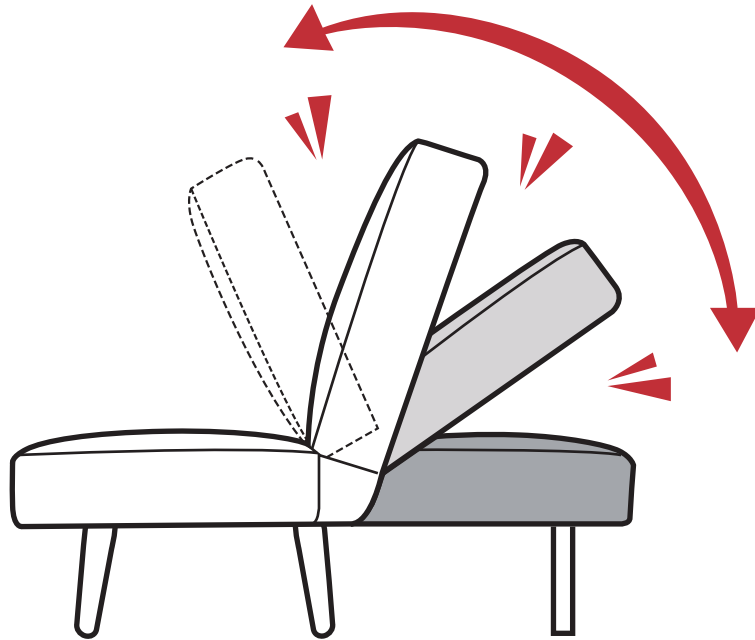
STEP 2



STEP 3



STEP 4



STEP 5

