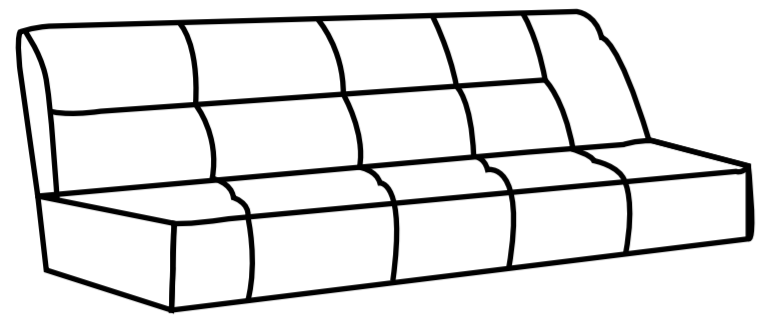


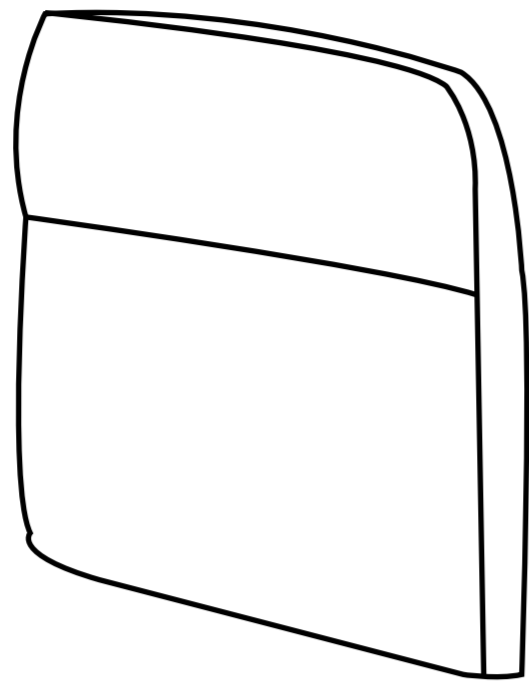
Assembly Instructions

A



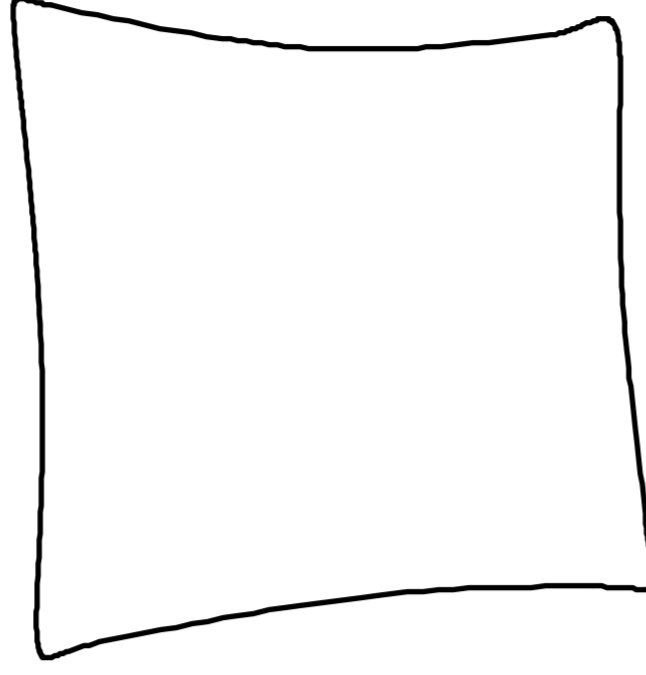
Sofa*1

B



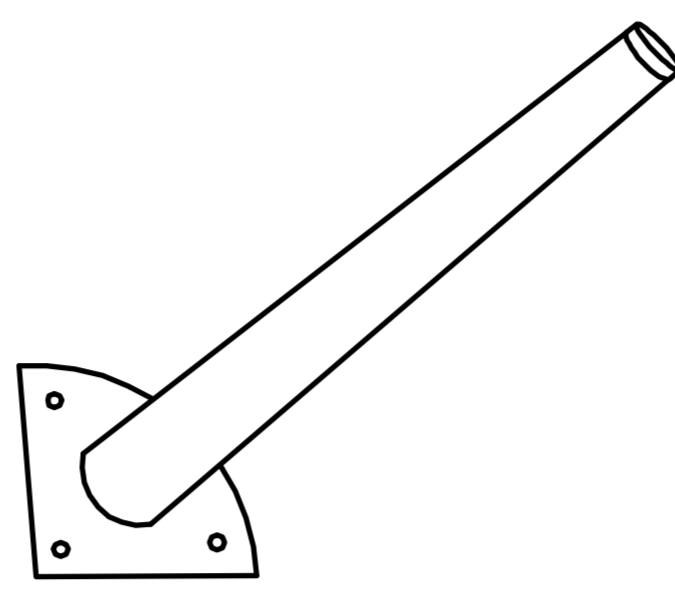
Arm*2

C



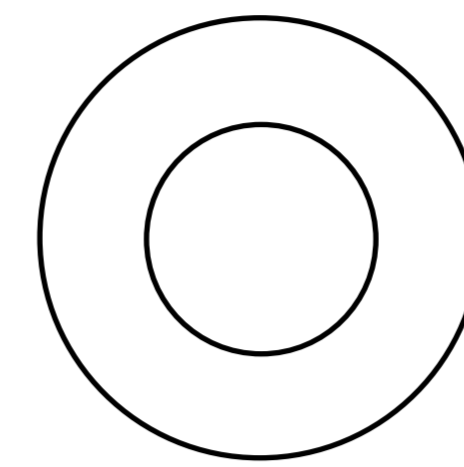
Pillow *2

D



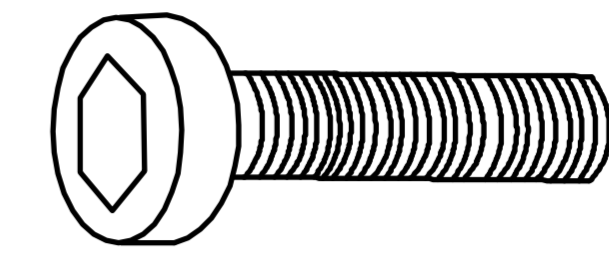
Metal Leg *4

E



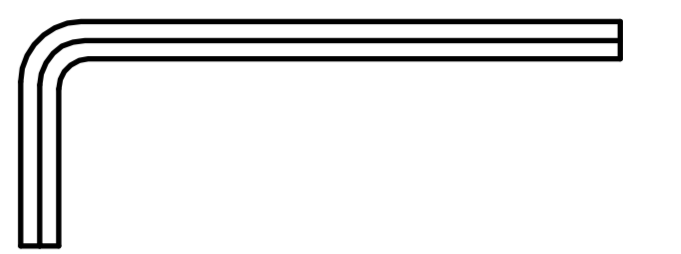
Shim*12

F



Screw *12

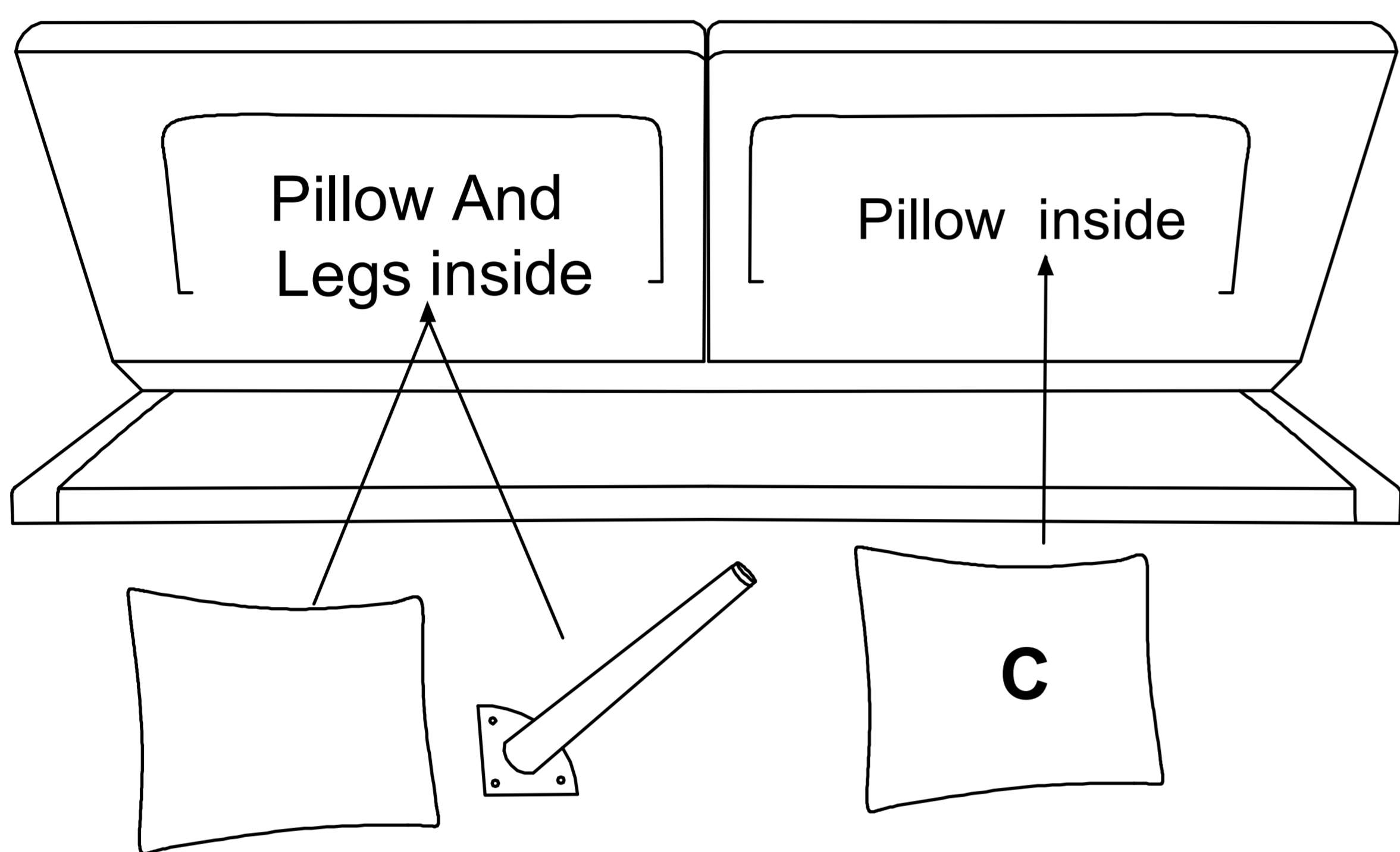
G



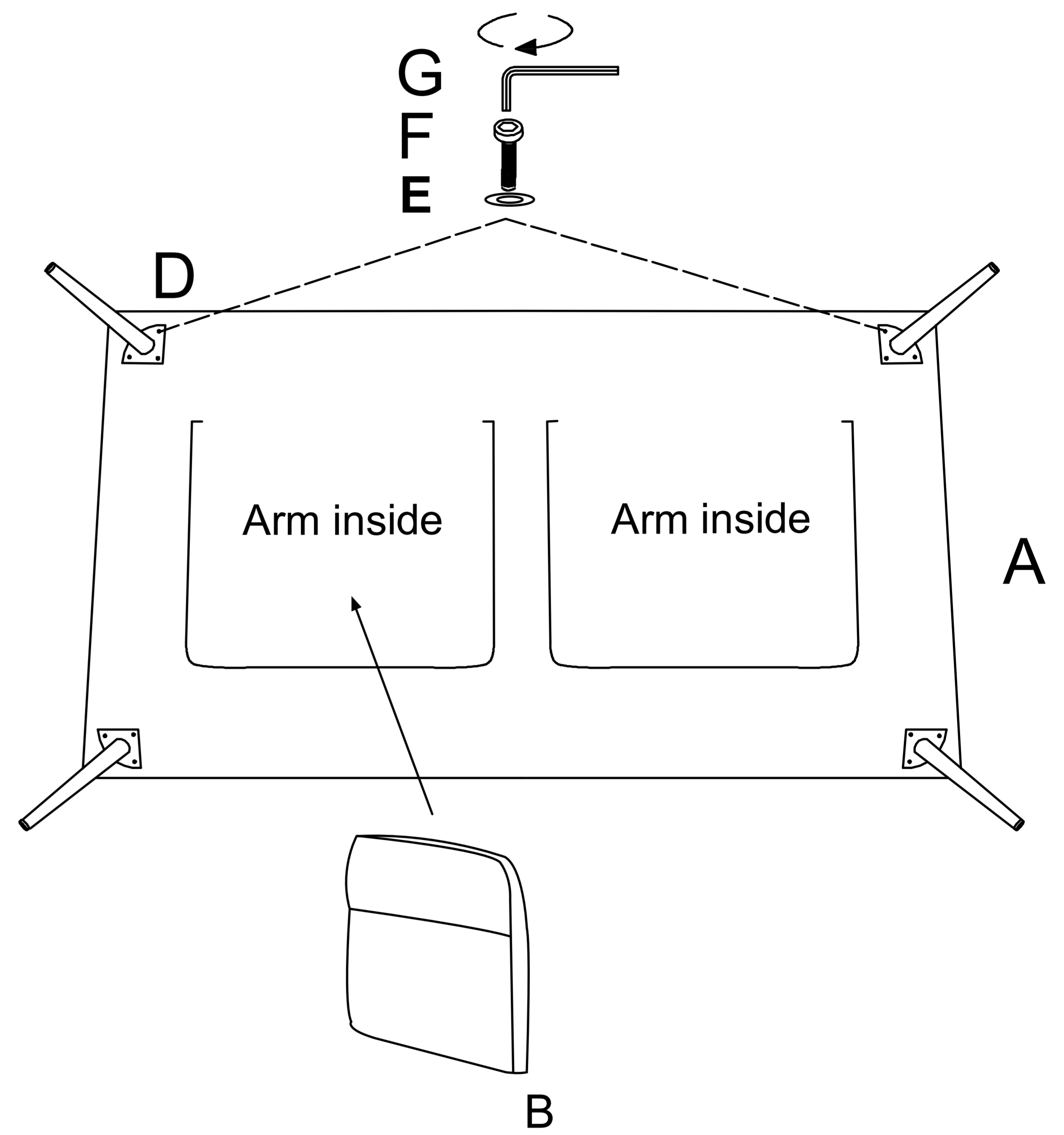
Screw *1

①

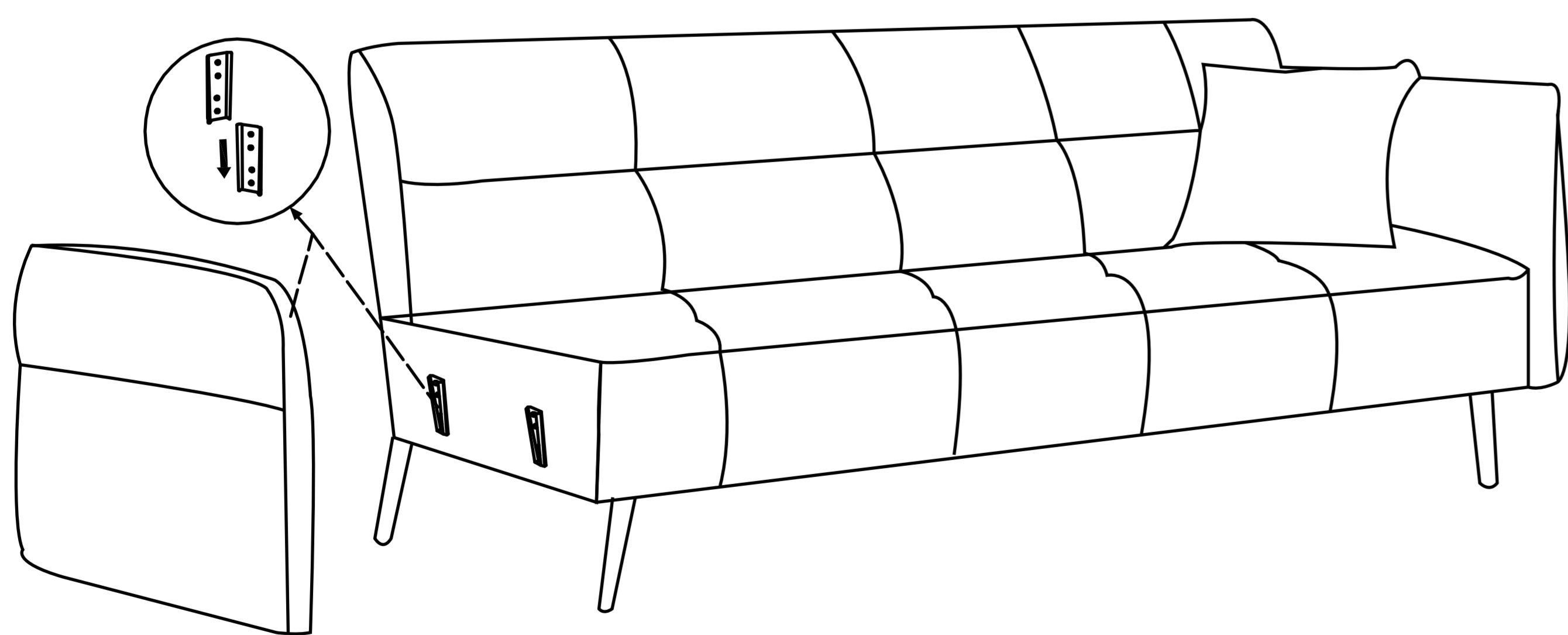
Turn the back up



②



③



④

