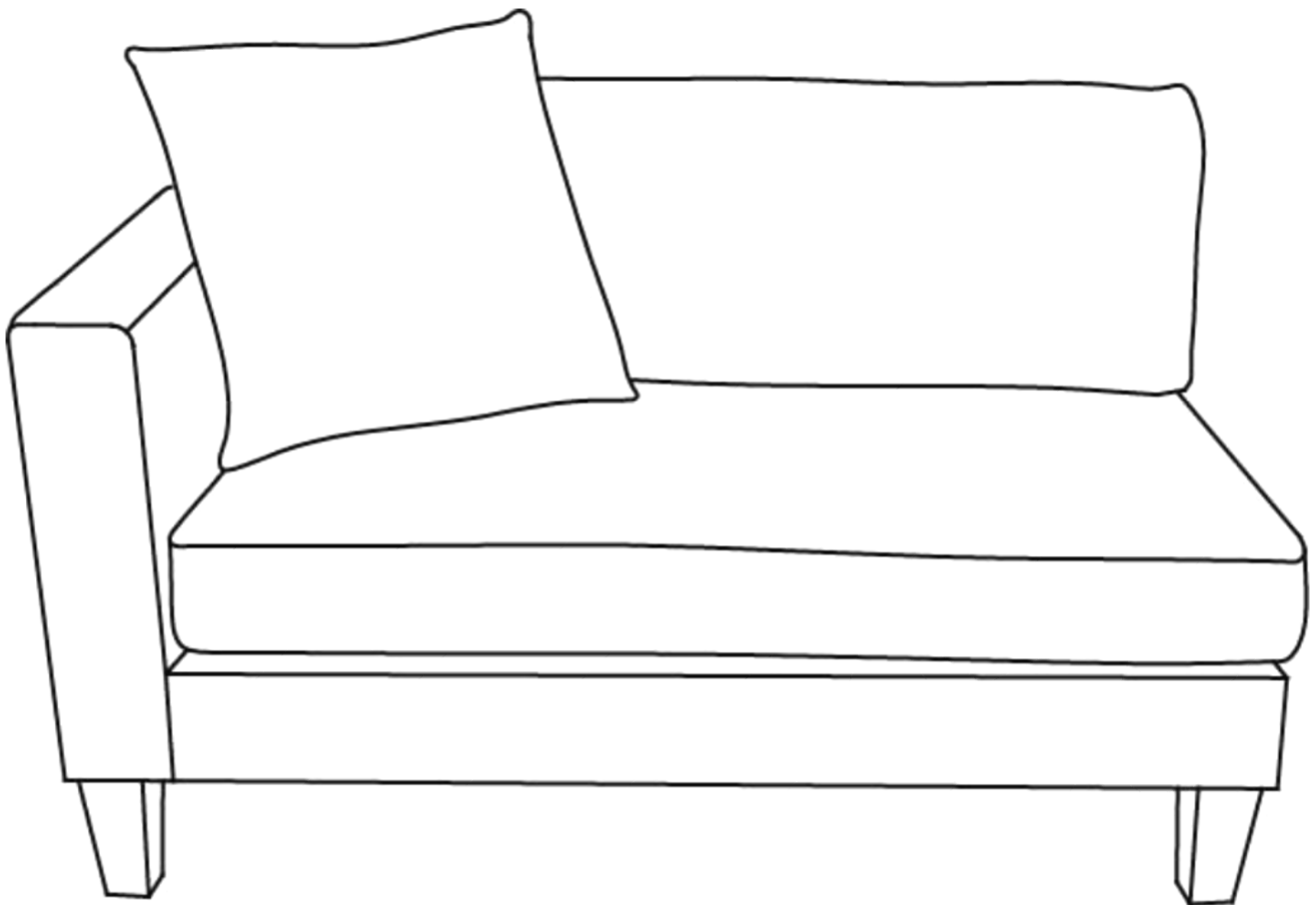



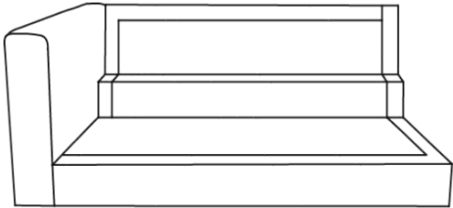
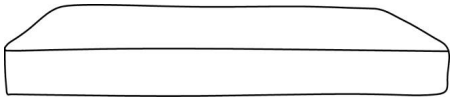
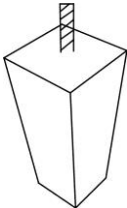
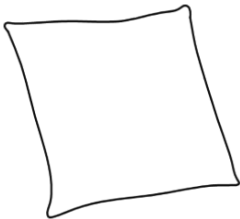
# Assembly Instructions

**Caution: You must read this before you proceed.**

## Left Arm Sofa



# Parts List

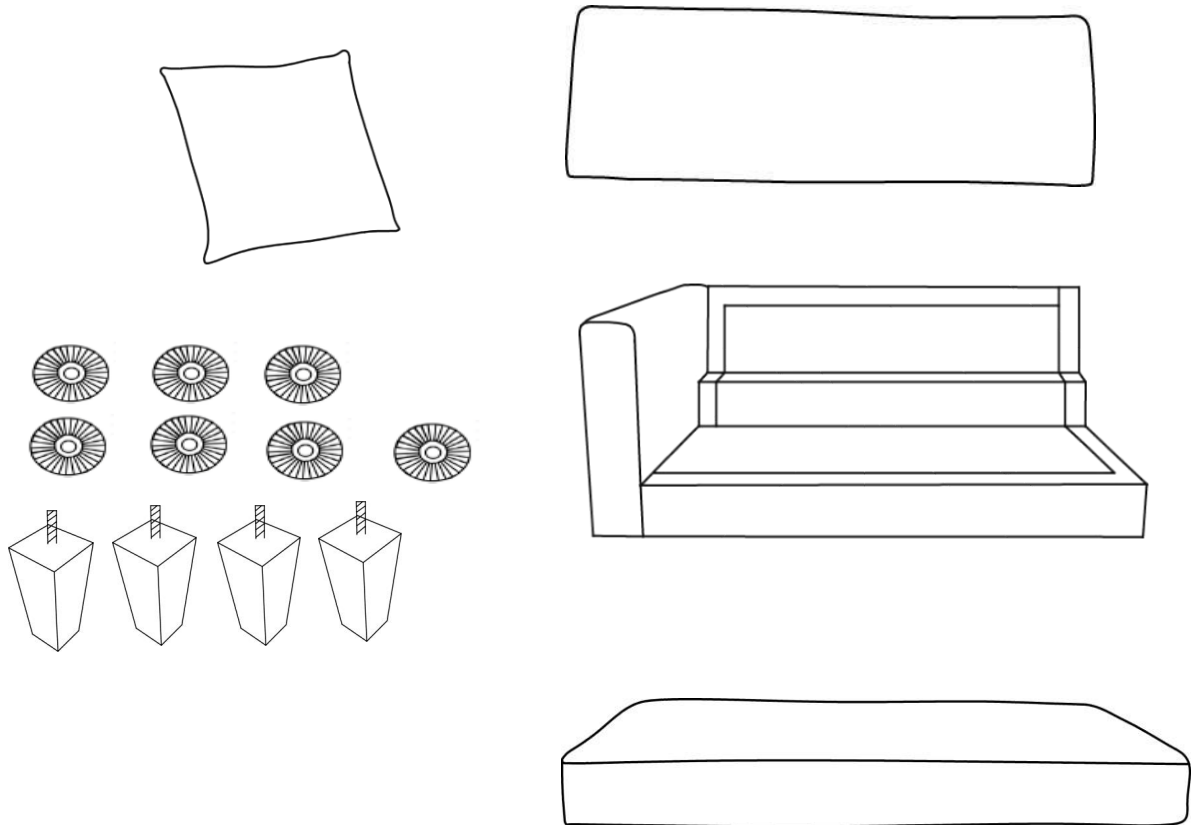
Label	Picture	Description	QTY
A	 A simple line drawing of a rectangular back cushion with rounded corners.	Back Cushion	1
B	 A line drawing of a sofa with a curved backrest and a seat.	Sofa	1
C	 A line drawing of a rectangular seat cushion with rounded corners.	Seat Cushion	1
D	 A line drawing of a trapezoidal sofa leg with a small rectangular notch at the top.	Sofa Leg	4
E	 A line drawing of a square pillow with slightly rounded corners.	Pillow	1

# Hardware

Label	Picture	Description	QTY
①		Gasket	7

## Assembly Preparation

Before Beginning Assembly:



- Read instructions, cover to cover-



- Have 2 adults on hand for assembly-



- Do not assemble on flooring or carpet-



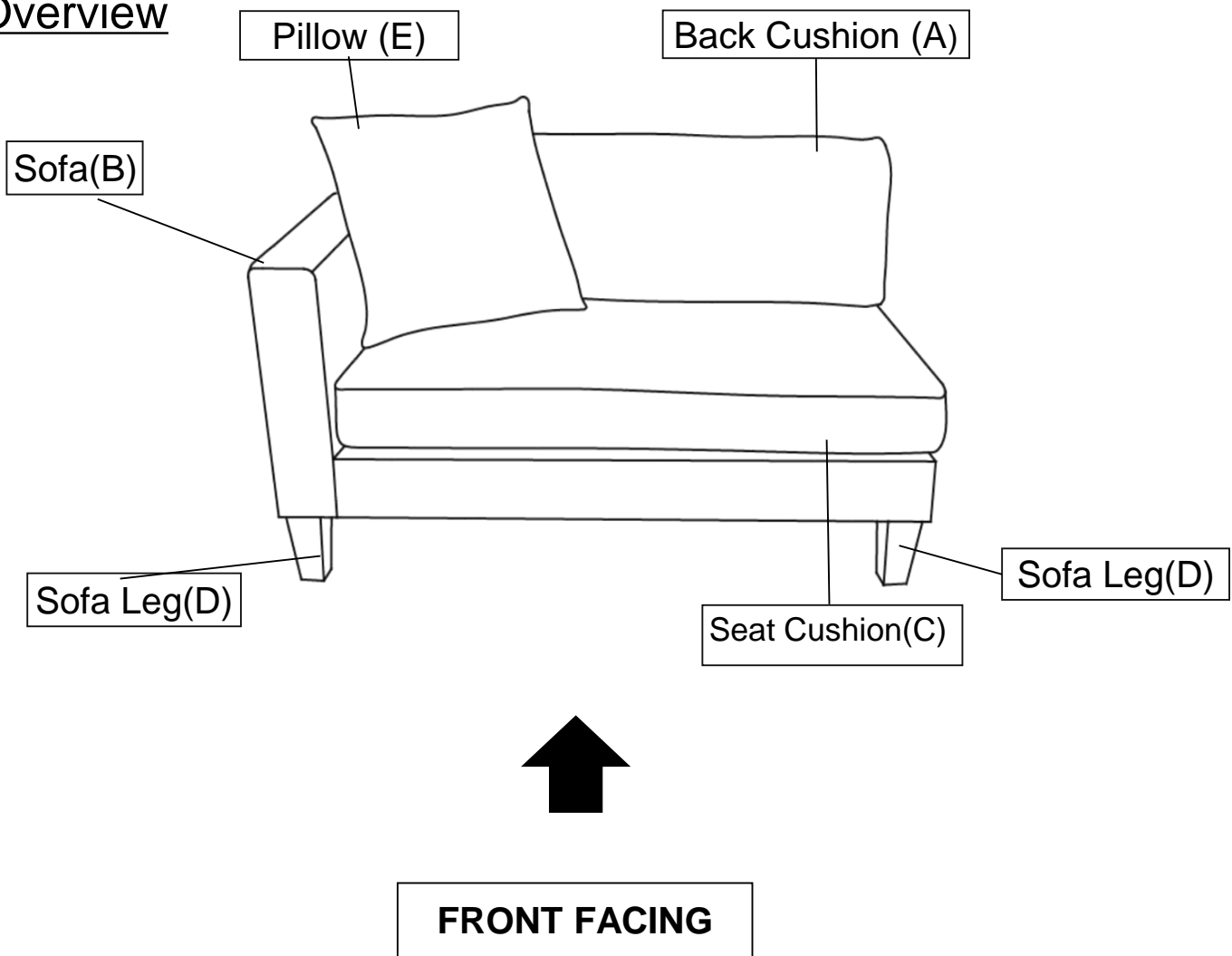
- Assemble on a clean non-marring surface (packing foam)-



- Save all packaging until finished-

# Assembly Steps

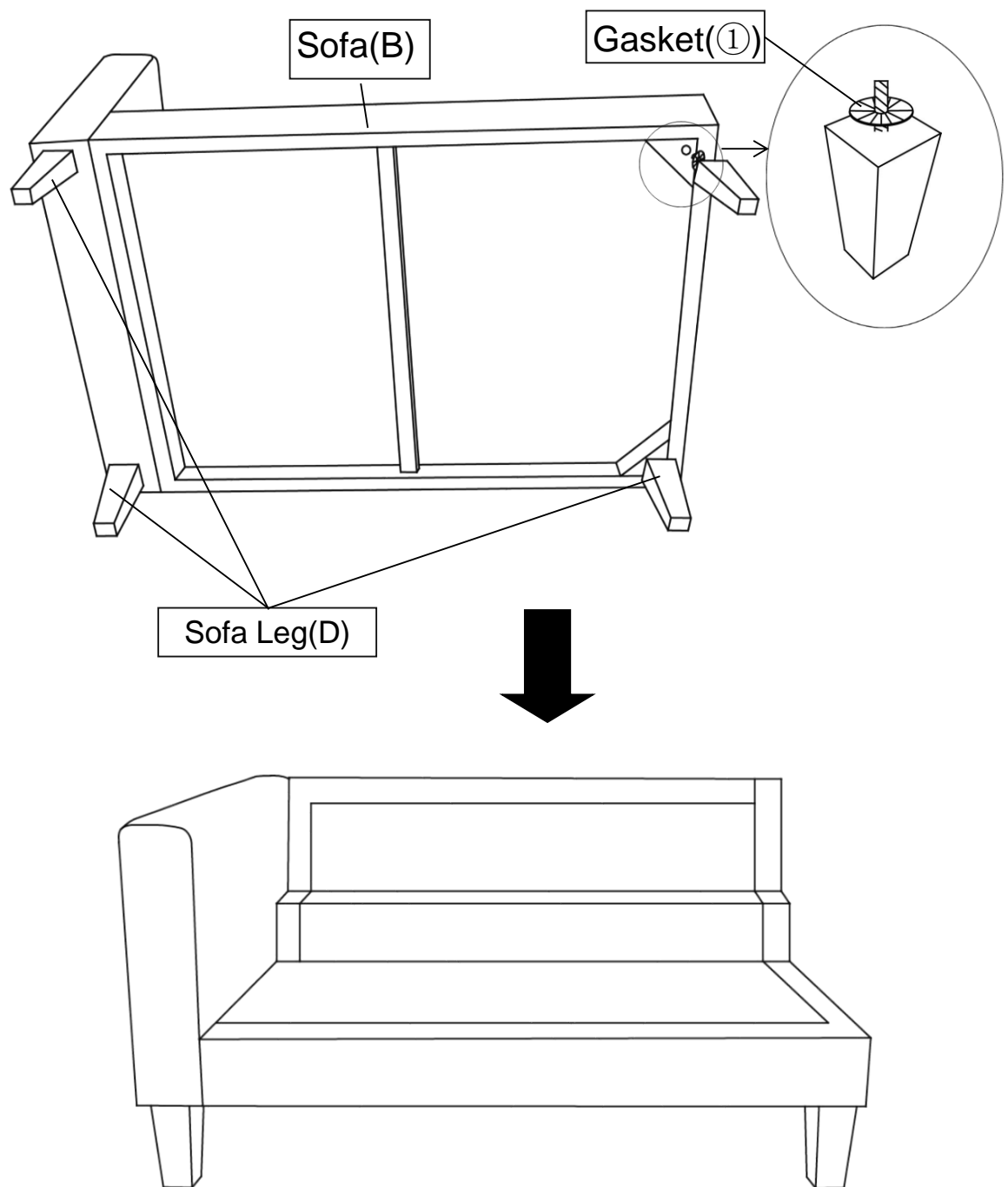
## Overview



This Sofa has multiple parts and may require up to 30 minutes to assemble . To give you an overview of the sofa parts, the above picture is to help you put the various sofa parts into perspective. Please read through the instructions here below to familiarise yourself with the parts and steps before assembly.

**NOTE: It is recommended that you have an adult partner to assist during the entire assembly process.**

## Step 1

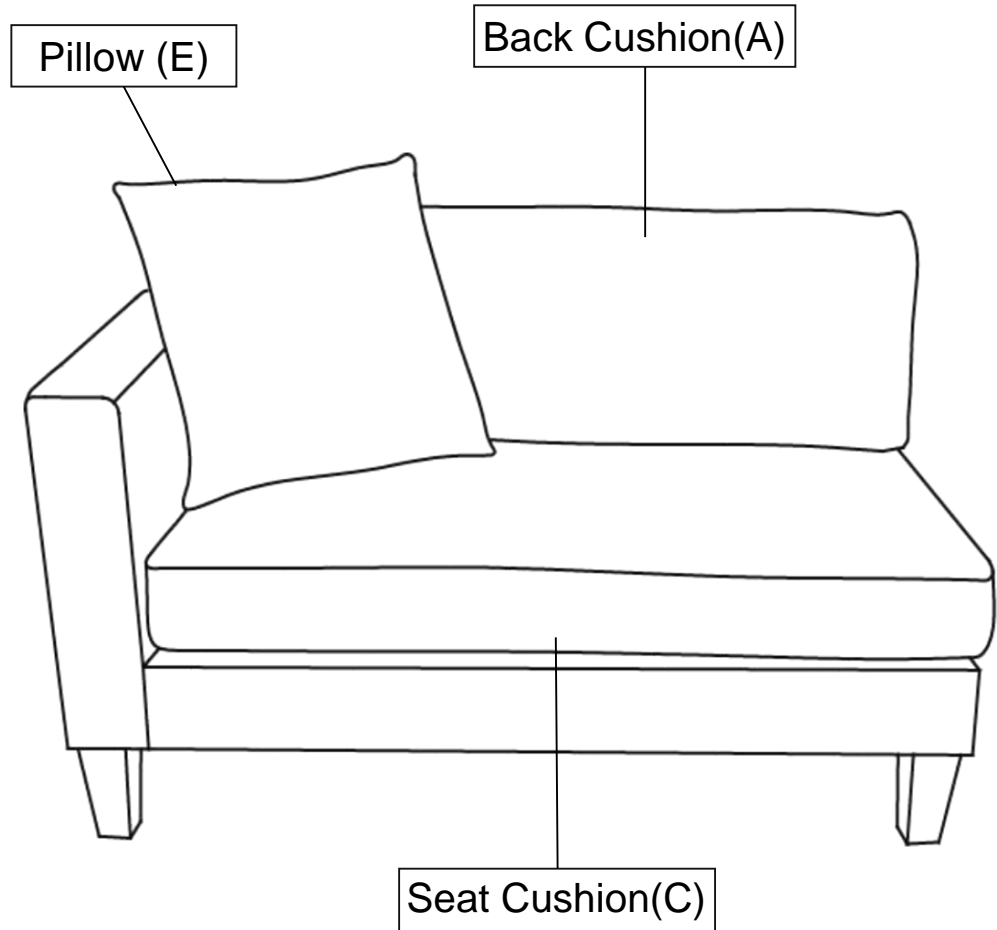


Install each of the Sofa Legs(D) to the bottom of the Sofa(B) by placing one Gasket(1) as pictured above.

Insert the threaded stem of the Sofa Leg(D) into one of the mounting positions of the Sofa (B), then tighten by turning the Leg clockwise until it is completely secure. Repeat the same step to install the remaining three Sofa Legs(D).

**Note: The use of Gaskets is OPTIONAL and are especially useful to help alleviate slight wobbles. Some Legs may need more than one whilst some legs may not need any.**

## Step 2

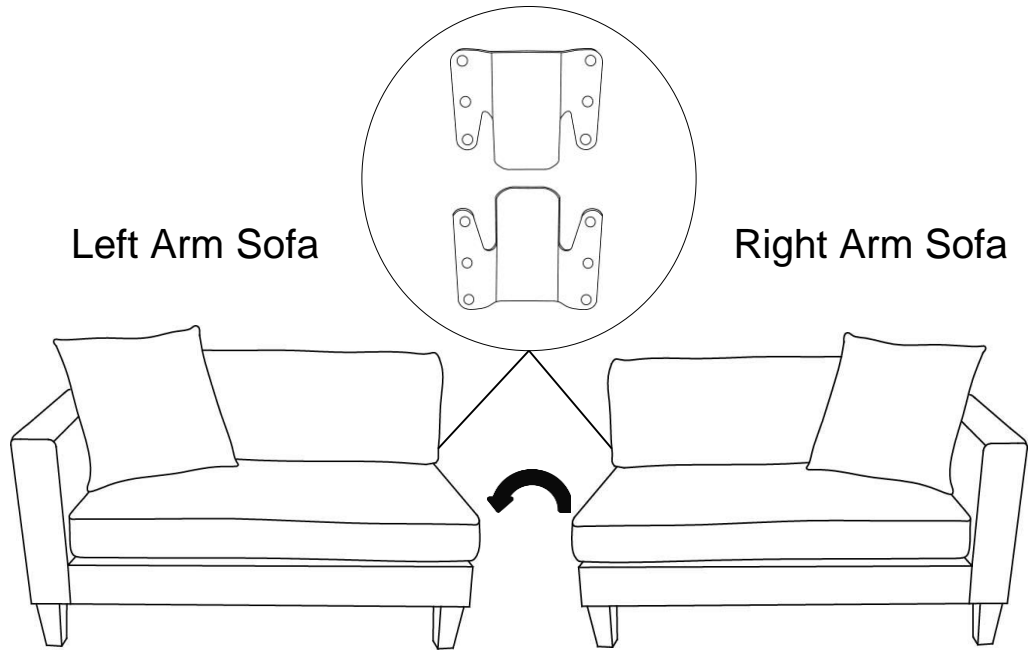


Place the Seat Cushion(C), Back Cushion (A) and Pillow (E) onto the Sofa.  
Your Sofa is ready for use.

**Caution: This Sofa can only be used on a flat, level surface.**

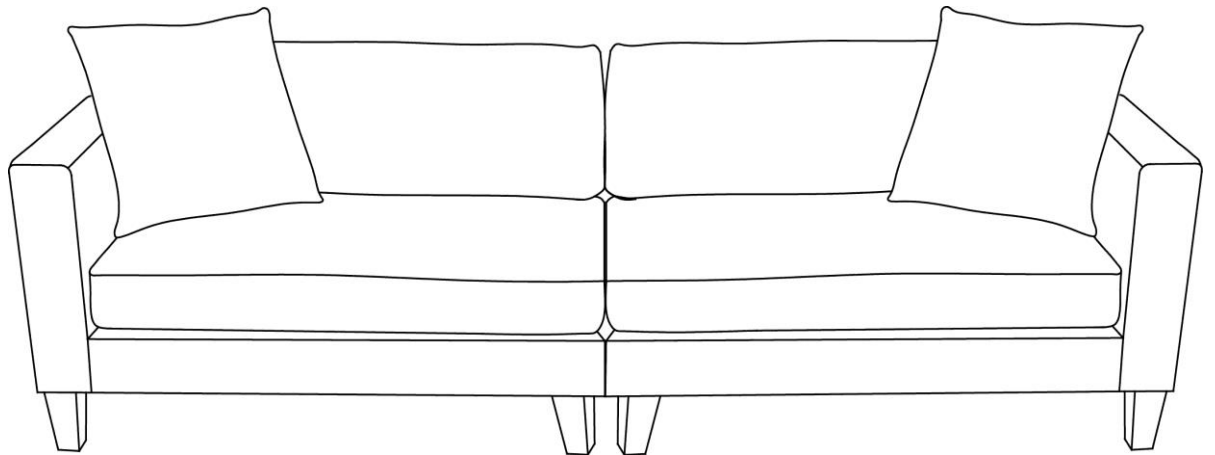
# Additional Steps

## Step 1



Connect the Sofas by intersecting the metal brackets.  
Make sure all parts are connected and securely locked into position.

## Step 2



Your Sofa Set is ready for use.  
**This Sofa Set can only be used on a flat level surface.**

## Care & Maintenance



- Furniture may scratch floors. We recommend using furniture pads to protect your floors.



- Do not put hot items directly on furniture surface.



- Do not clean furniture with harsh cleansers or polish.



- Do not place furniture under direct sunlight.



- Do not place furniture near heating or cooling vents.



- Do not write on furniture without a padded barrier to protect the surface.



- Do not place furniture outside . For indoor use only.



- Not for commercial use. For residential use only.



- Stains may be removed with mild soap solution and damp cloth.



- Children should not climb or jump on the furniture.



- Dust and pick-up spills using a clean, non-colored, lint-free cloth.