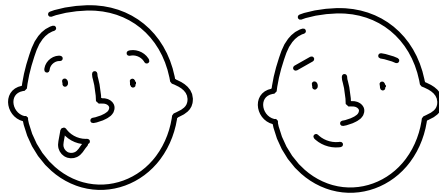
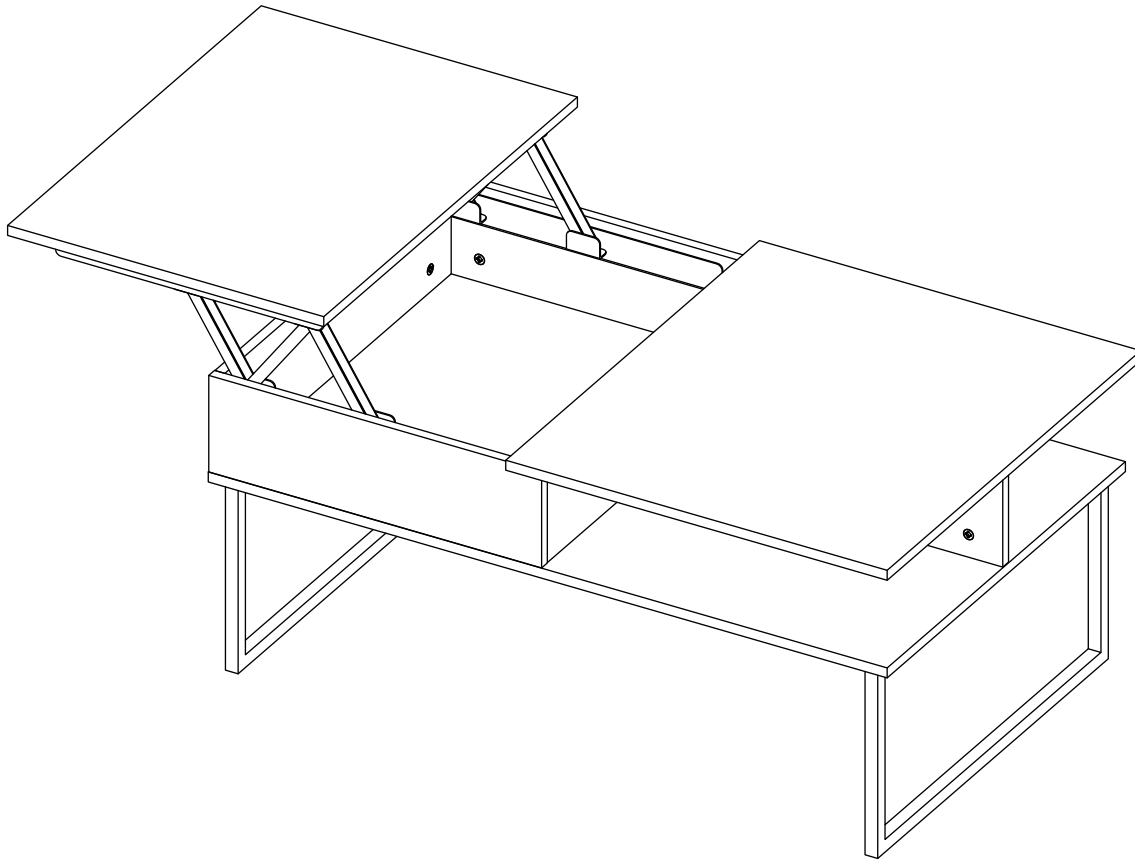


# ASSEMBLY INSTRUCTIONS

## ARMIN LIFT TOP COFFEE TABLE



It's much better if you get some company for this!

If any parts are broken or missing please contact us at:  
**1-888-391-01-66 / [customerservicetuhome@rta.com.co](mailto:customerservicetuhome@rta.com.co)**

Our customer service team will provide you help to  
resolve any issues immediatly

# Index

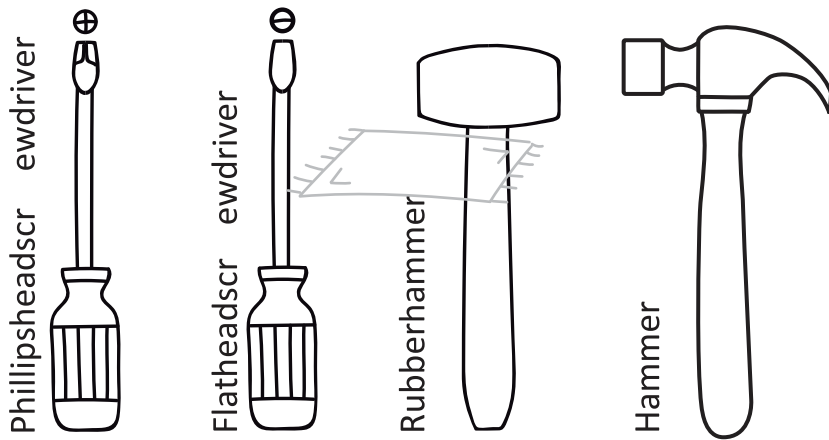
What will you need?	2
Where should you start?	3
What's in the hardware bag?	4
How do the dowels and Minifix system work? (We also explain what they are)	5-6
Let's start assembling!	7
How much weight does your cabinet resist?	15
Our last recommendations for taking care of your cabinet	16

Hi! my name is

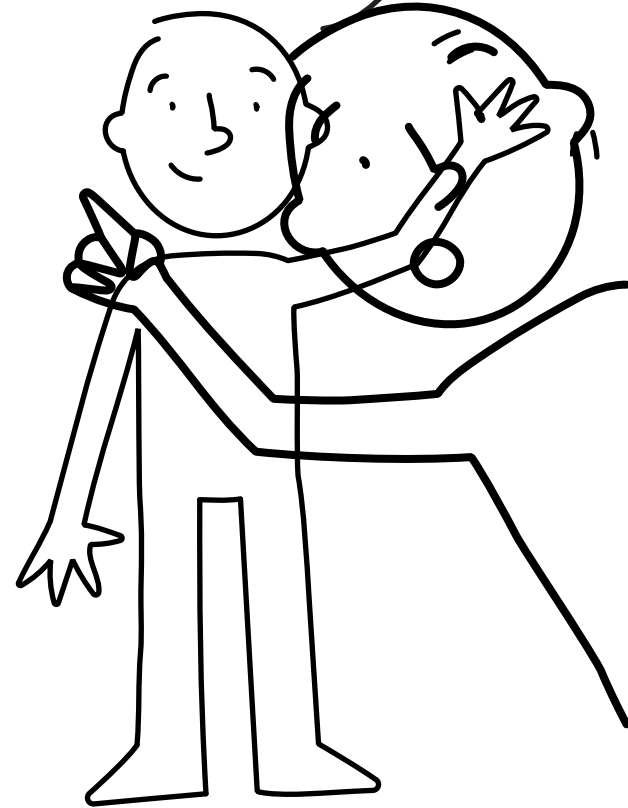
What will you need? Armando, and I'll

be

with you while you



assemble this cabinet.



A

flat, smooth surface. You can use the cardboard of the box or a rug.

An electric screwdriver isn't necessary, but it can make the work much easier :)

Where should  
you start?

This is so IMPORTANT!

Over the next few pages is the panel and hardware content for this cabinet.


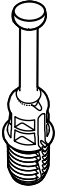




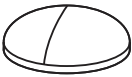
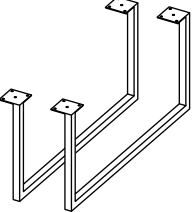
Please make sure that the quantity of each one is correct, and that everything is in good shape.

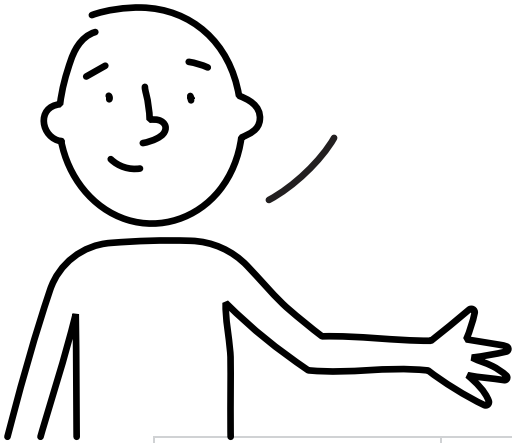
(When the cabinet is already assembled there's no warranty for this)

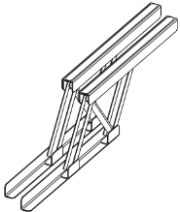
Panel quantity

A - x1	B - x1	C - x1	D - x1
E - x1	F - x1	G - x1	H - x1

What's in the hardware bag?

 <p>Wood dowel x19</p>	 <p>Spreading bolt x19</p>	 <p>Minifix cam x19</p>	 <p>Cover caps x20</p>
 <p>Glue x1</p>	 <p>Flat head screw x28</p>	 <p>Bumpons x5</p>	 <p>Leg x2</p>



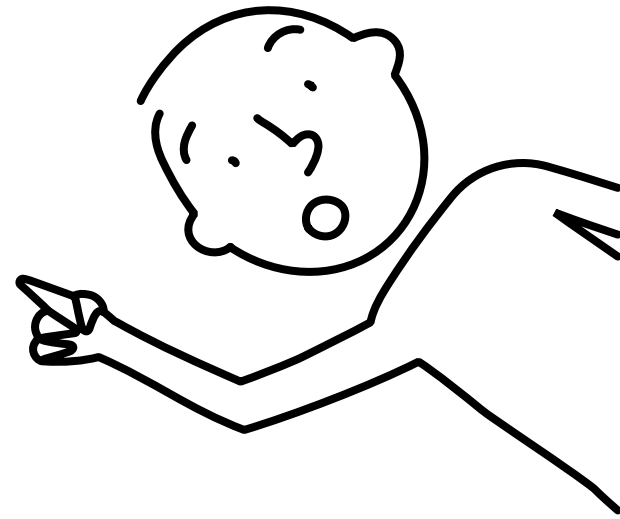
 <p>Folding Arm x1</p>			
---	--	--	--

Be careful!, try not to lose anything from this bag, its content it's necessary for assembling you cabinet.

In case something is missing, please call to our customer service line:

**1-888-391-01-66**

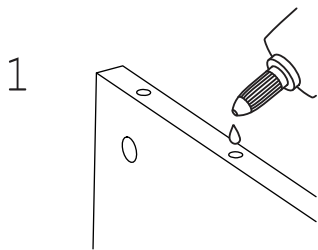
How do the dowels and Minifix system work? this is so important too!



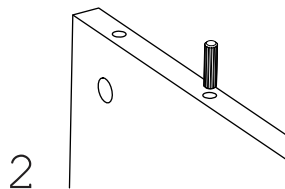
Everytime you're using one of these connectors during the assembly, you should follow these same steps.

## Wood dowels

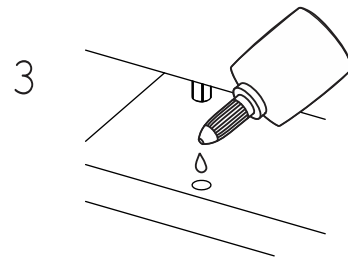
They are little wooden cylinders.



Before inserting the dowel, put a drop of glue inside the drilling.



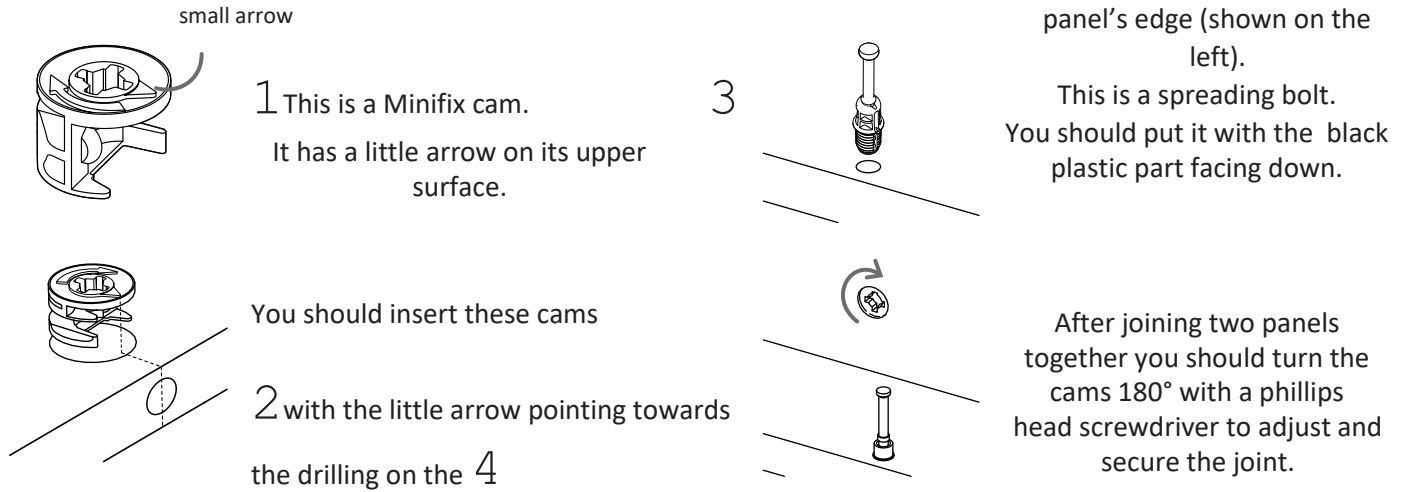
Put in the dowel and softly hit it with the rubber hammer, until it's fully inside.



When joining two panels together, you should put another drop of glue in the drillings where the dowels are going. Don't forget to gently hit the panels to adjust the joint.

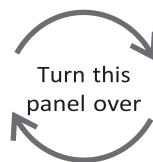
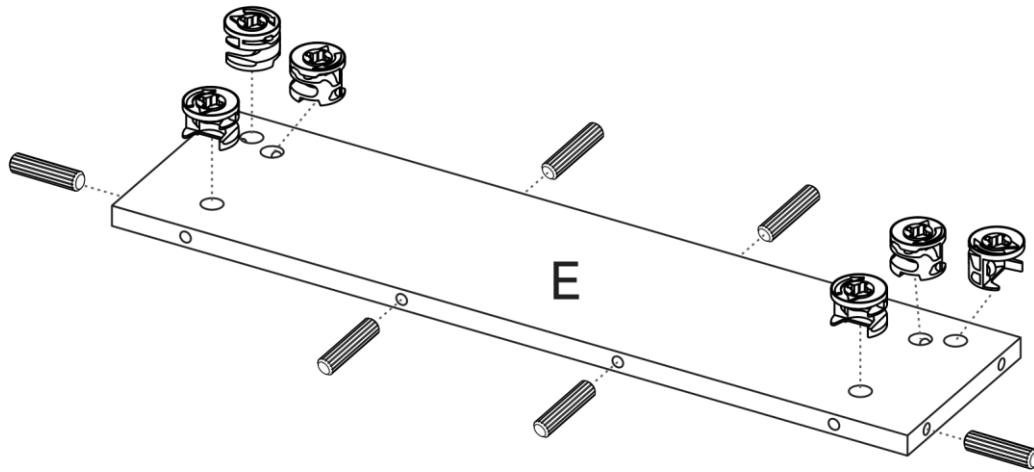
## Minifix system

It's a joint compound of two parts: a spreading bolt and a Minifix cam.

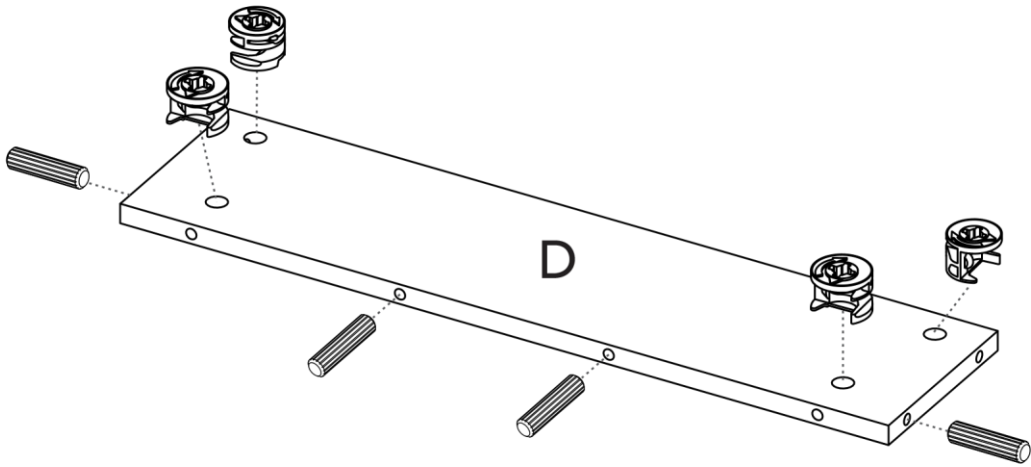
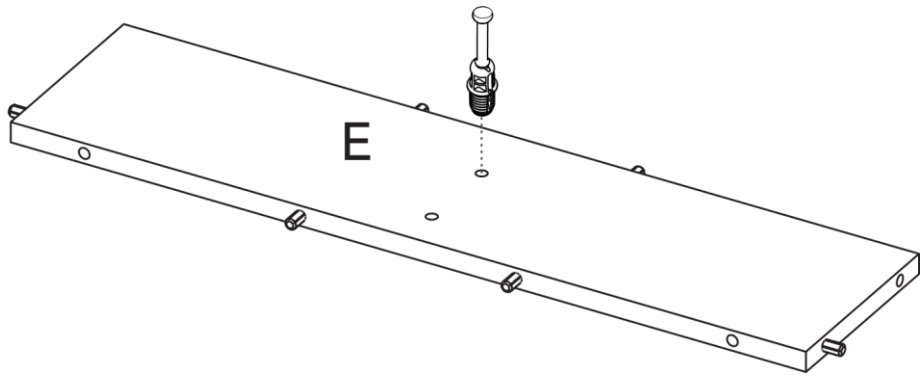


# 1 Let's start assembling!

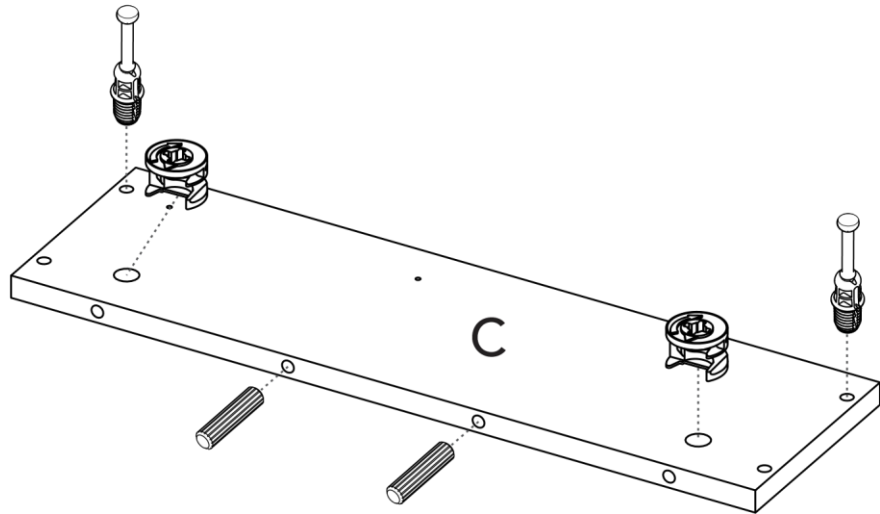
You can see the last page of this manual to have a full look of the panels of this cabinet.



2



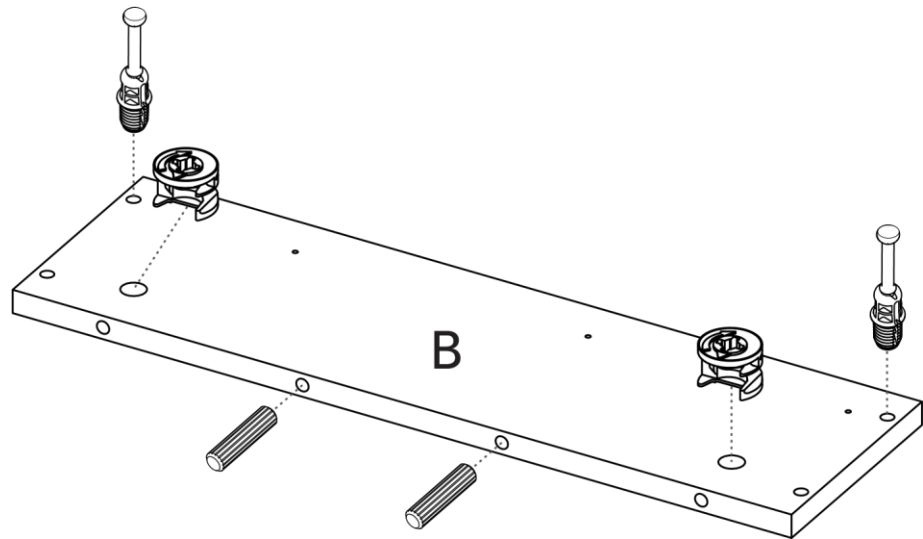
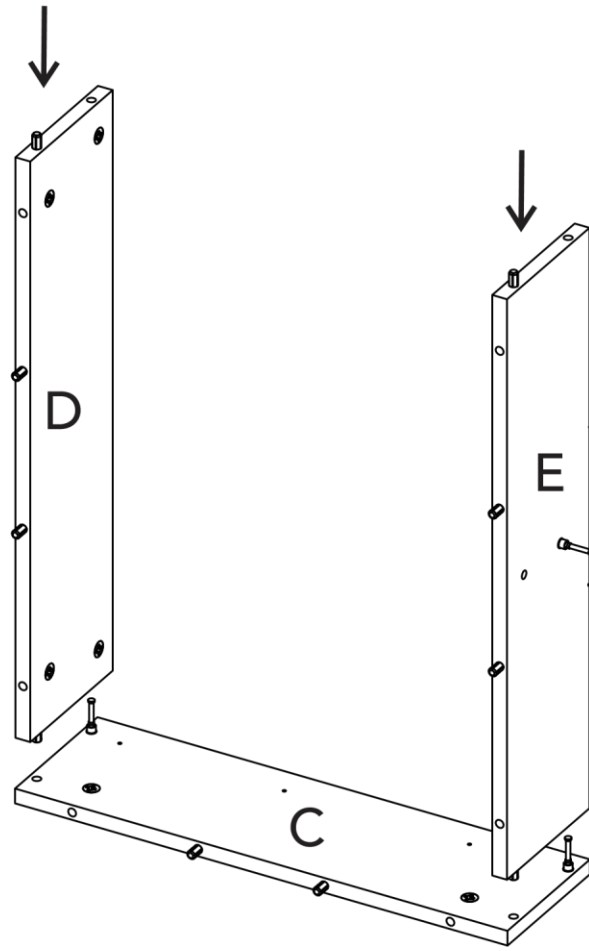
3

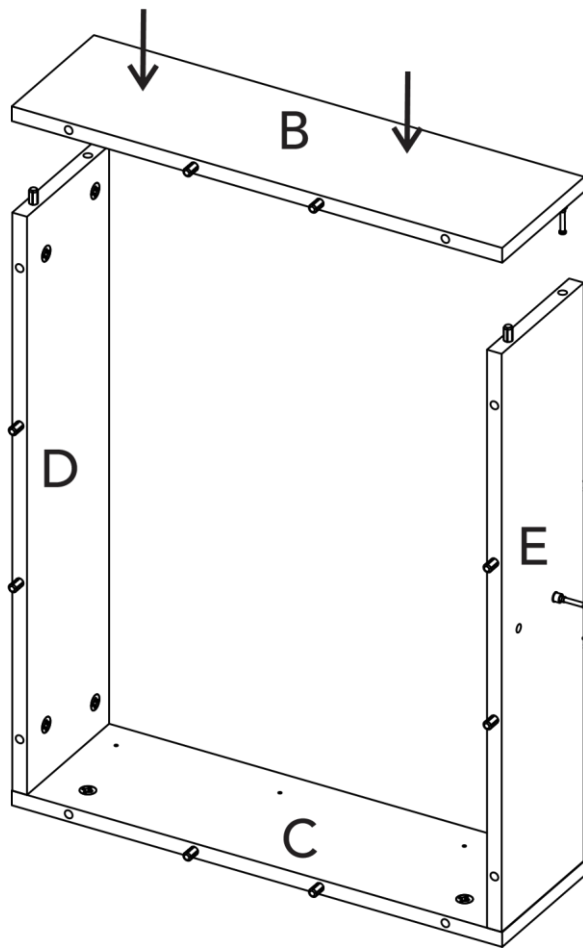




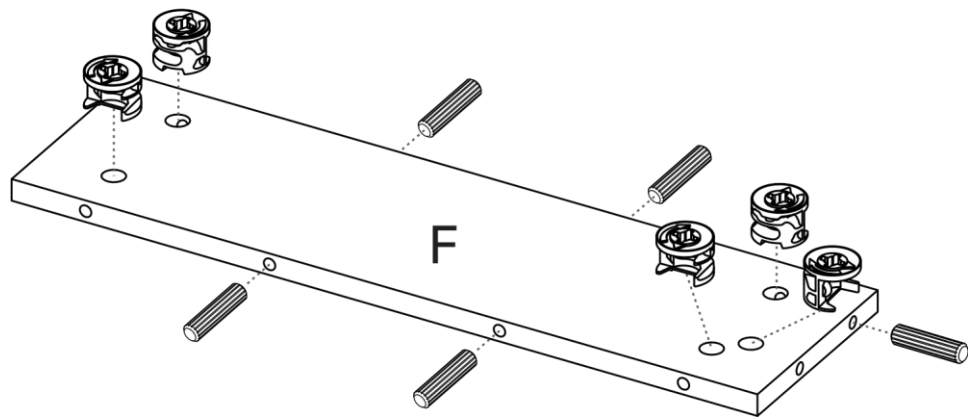
4

5

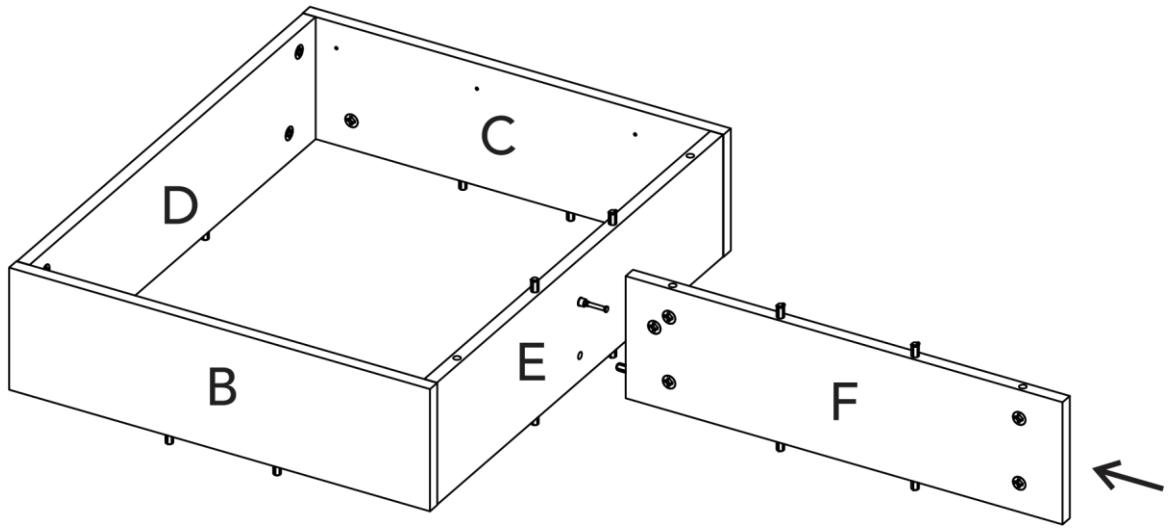




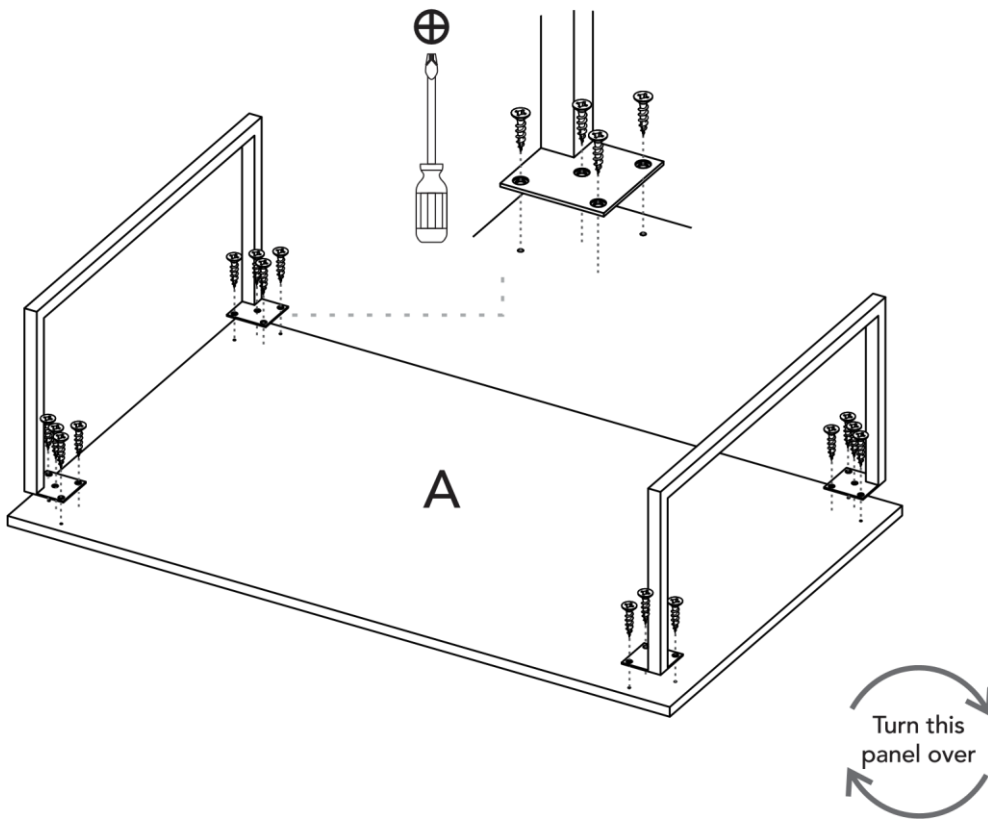
6  
7

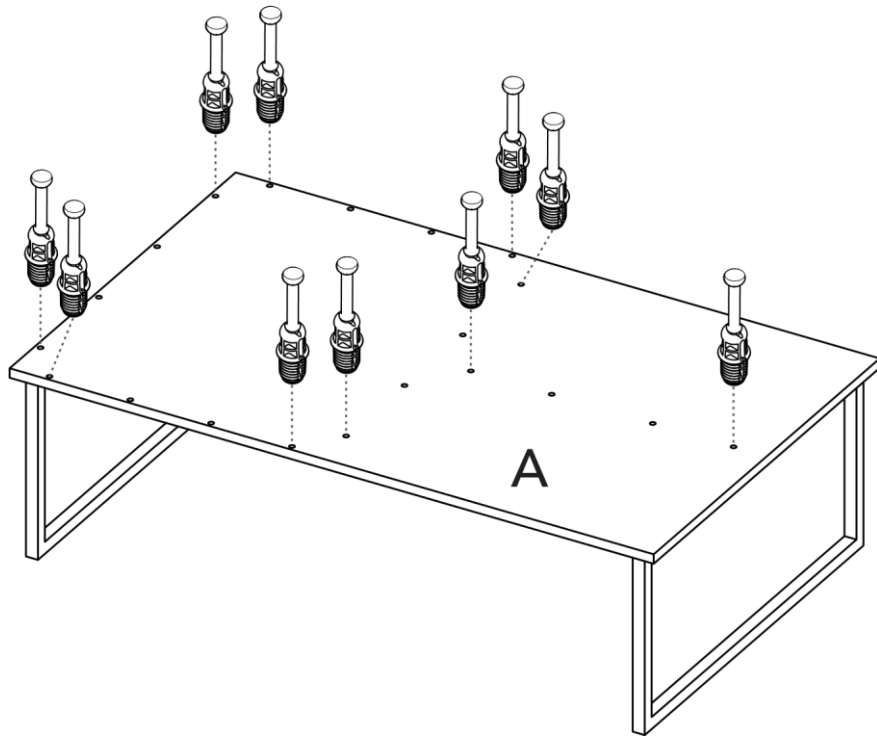


8

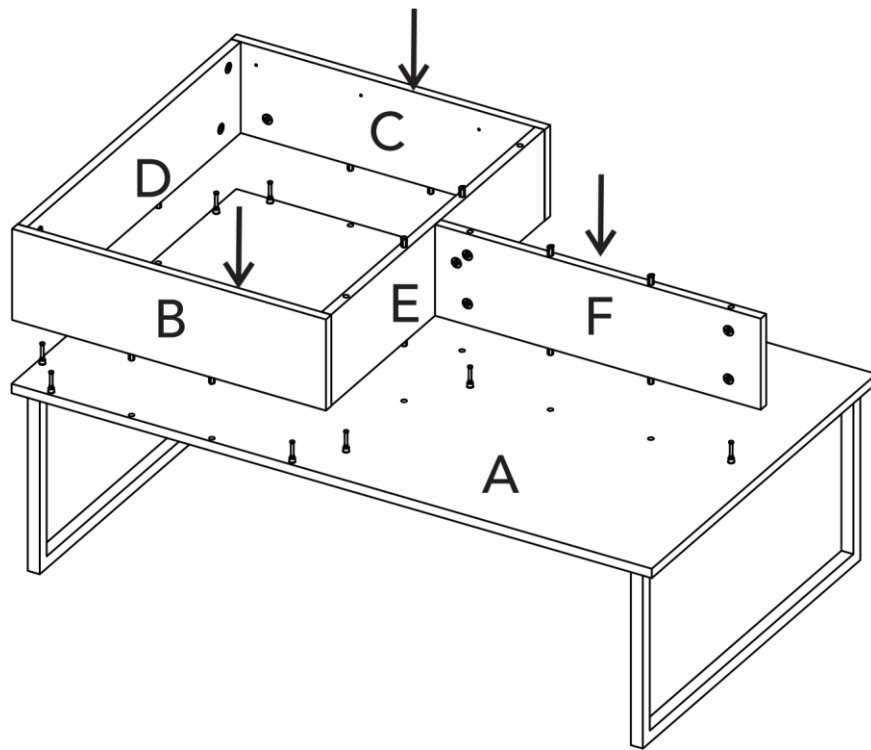


9

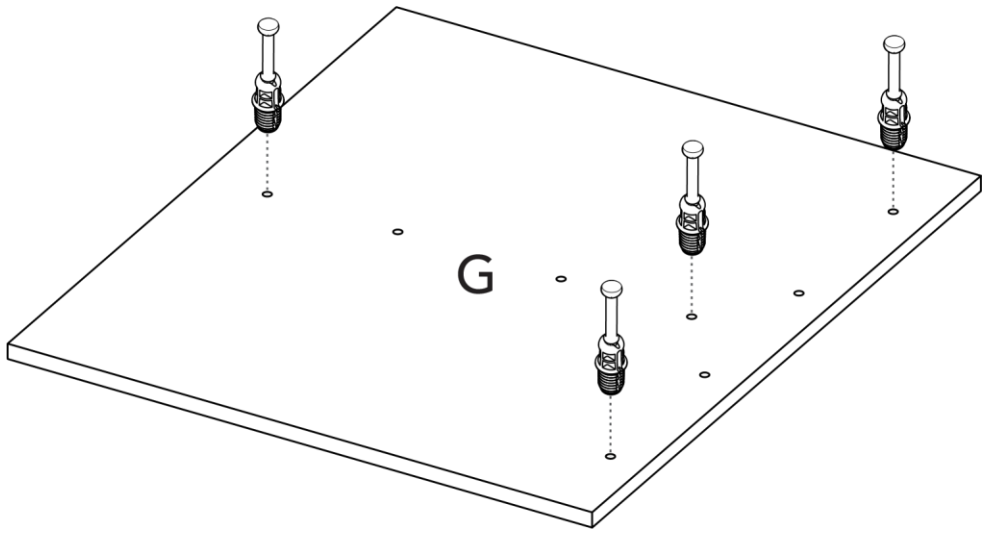




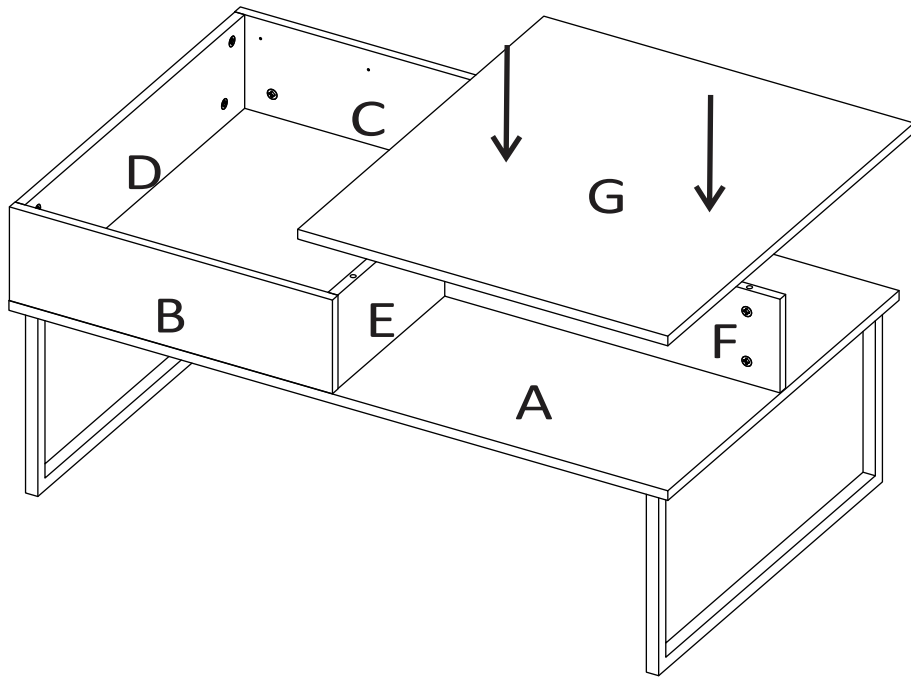
10



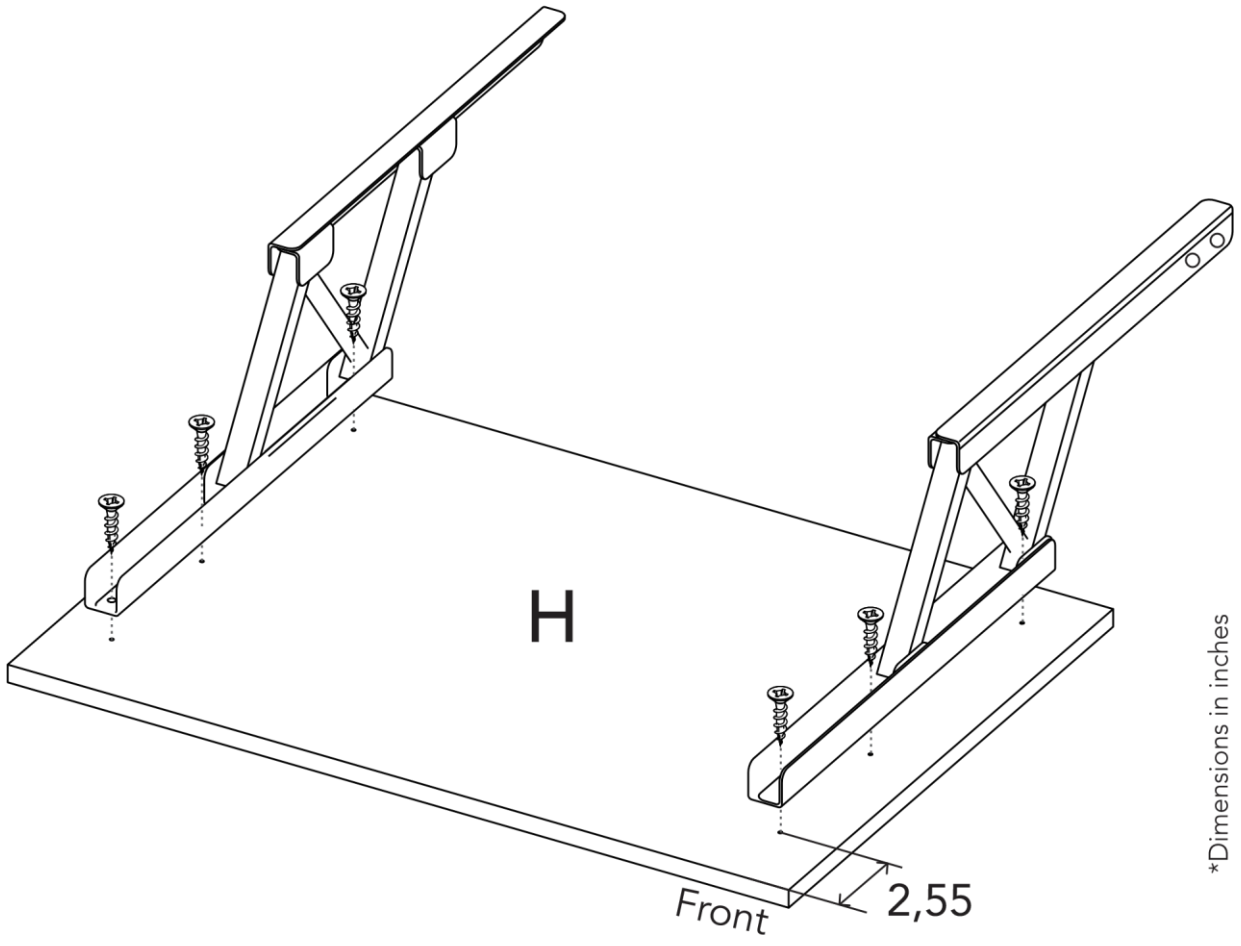
11



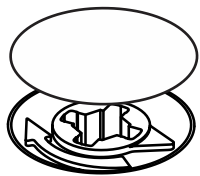
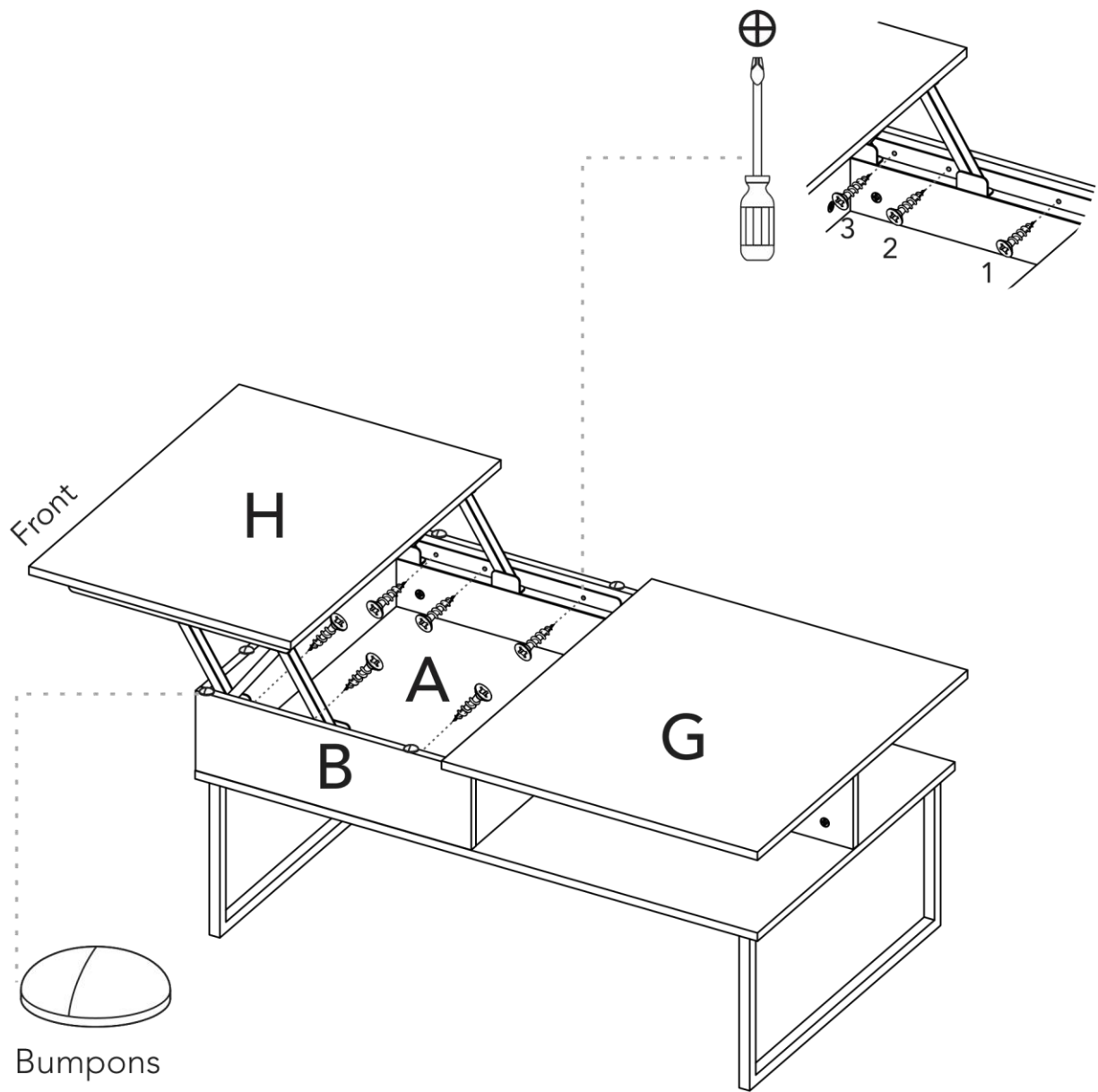
12



13



\*Dimensions in inches



Minifix cams, cover

**A**

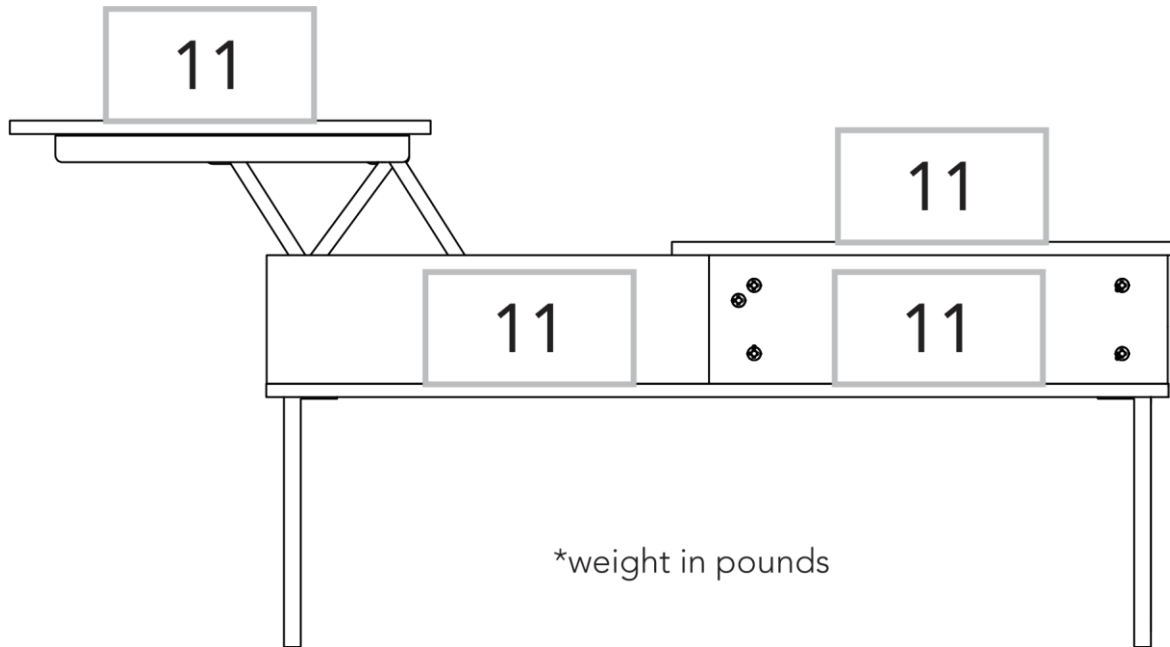
assembly, lift off al the After adjusting all the

After finishing the

them up with the cover adhesive letters.

caps.

How much weight does my  
cabinet resist?



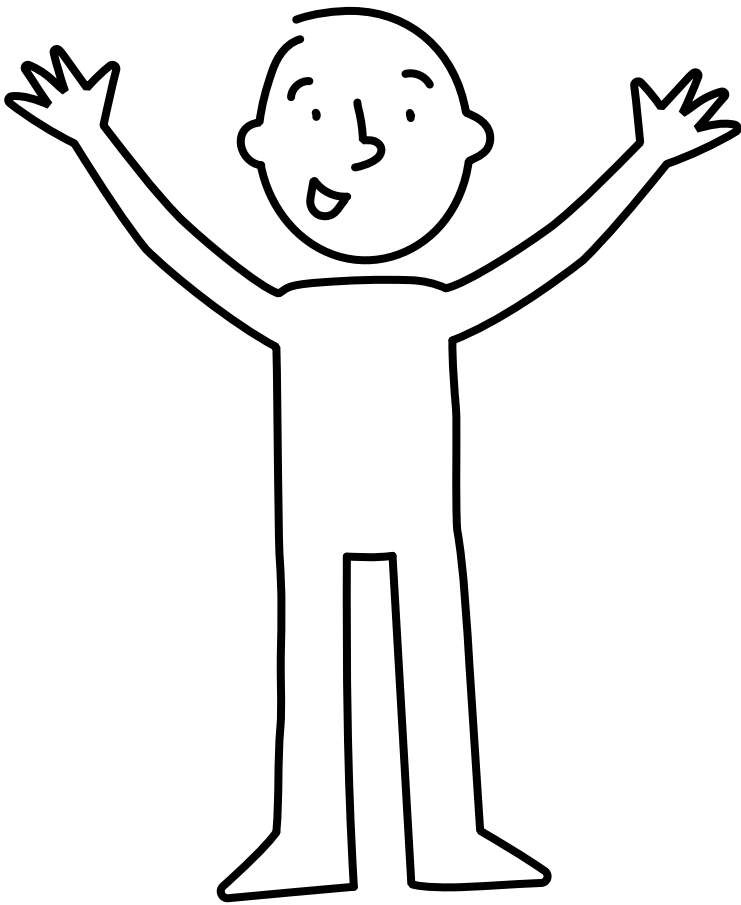
Congratulations!  
It's done

But don't go yet!

There are some recommendations  
left for you to take care of your  
cabinet correctly from now on.

**SUPER IMPORTANT!**



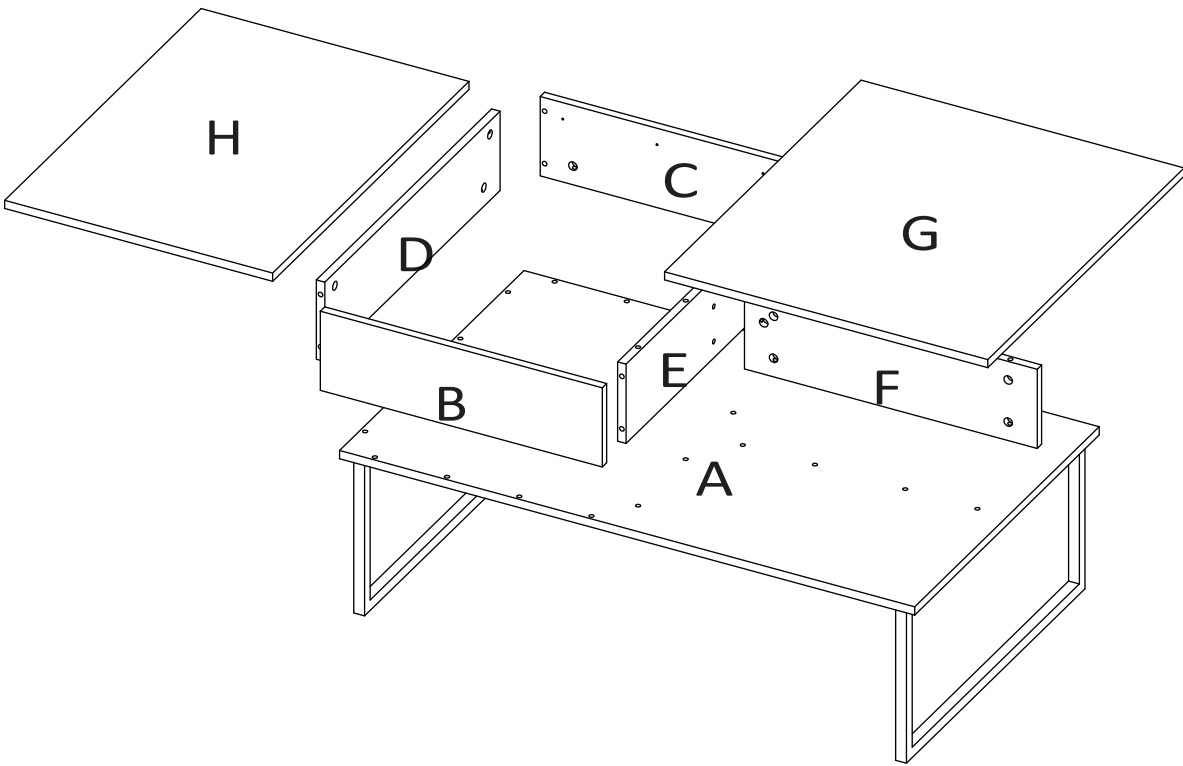


We suggest fixing the cabinet to the wall, so we can avoid the cabinet tipping and harming anyone. Be specially careful with the kids.

## Taking care of your cabinet:

- Do not paint the cabinet.
- The cabinet it's exclusively for indoor spaces. Do not expose it to the direct sun.
- Clean the metallic hardware with a dry cloth.
- DO NOT overload the cabinet (see suggested loads)
- Do not hit or hammer the cabinet (only when indicated here).
- Clean it with thinner, a soft soap solution or simply a damp cloth.
- Don't drag the cabinet, lift it up with other people.
- Avoid direct contact with water, fire or exposing it to high heat.

## Cabinet panels



## WARRANTY POLICY

### PÓLIZA DE GARANTÍA FURNITURE

TUHOME Furniture has a 3 year warranty coverage in wooden parts and 1 year warranty coverage in hardware pieces since its manufacturing date, which you can see in the lot number printed on the product box and the assembly instructions leaflet.

Warranty covers materials and workmanship imperfections which impair the assembly or correct functioning of the cabinet.

This warranty is not valid if the defects or imperfections are caused by the incorrect following of the assembly instructions, warnings and recommendations, misuse, intentional damage, fire or flood, or after modifications or any kind of alteration, or repaired by someone not authorized by TUHOME Furniture, when it's been assembled 3 months after the date of purchase. These defects **MUST** be reported before the warranty coverage period ends. Once the product has been assembled, the company will not be responsible for defective and/or damaged parts.

This warranty is **ONLY** valid for the **ORIGINAL PURCHASER**, it doesn't apply if the product has been resold, rented, etc.

TUHOME Furniture will take no liability for incidental or consequential damages caused to or by the product (This may not apply in your state).

To make this warranty valid you must write to our customer service email describing the product defect, lot number and submitting your sales receipt or proof of purchase, or contact us at our

customer service line. Replaced parts will be under the product's original warranty coverage period. Damaged parts will become property of the company.

There are no other warranties applicable to this product.

**IF ANY PARTS ARE BROKEN OR MISSING  
PLEASE CONTACT US**

**AT: 1-888-391-01-66 / [customerservicetohome@rta.com.co](mailto:customerservicetohome@rta.com.co)**

**OUR CUSTOMER SERVICE TEAM WILL PROVIDE  
YOU HELP TO RESOLVE ANY ISSUES IMMEDIATELY**