

ASSEMBLY INSTRUCTION

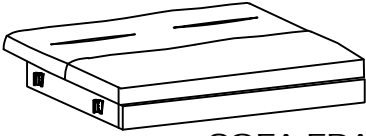
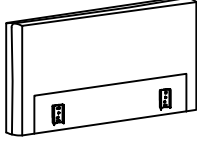



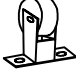


ASSEMBLY TIPS:

1. Take out hardware from box and sort by size.
2. Please check to see that all hardware and parts are present prior to start of assembly.
3. Please follow attached instruction in the same sequence as numbered to assure fast & easy assembly.

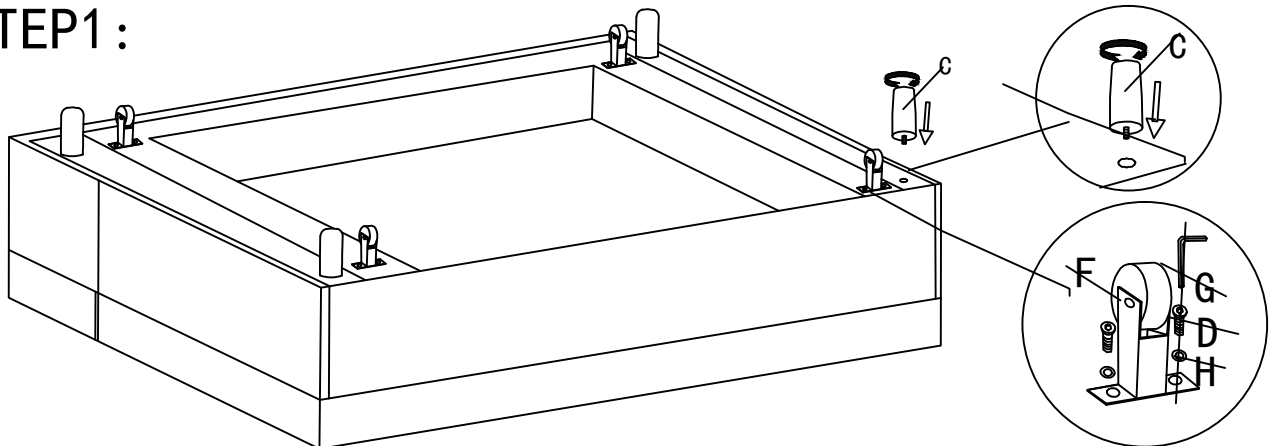
warning!

1. Don't attempt to repair or modify parts that are broken or defective. Please contact the store immediately.
2. This product is for home use only and not intended for commercial establishment.

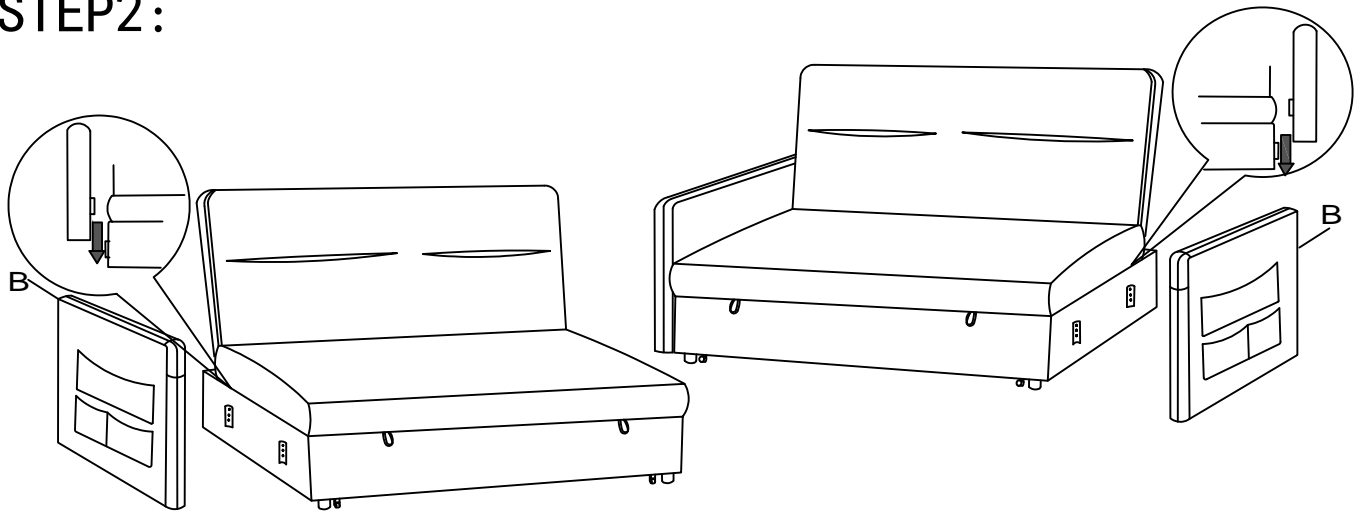
PARTS IDENTIFICATION

A	 SOFA FRAME	1pc	B	 ARMREST	2pcs
C	 LEGS	4pcs	D	 BOLTS	8pcs
E	 PILLOWS	2pcs	F	 CASTER	4pcs
G	 WRENCH	1pc	H	 SHIM	8pcs

STEP1:



STEP2:



STEP3:

