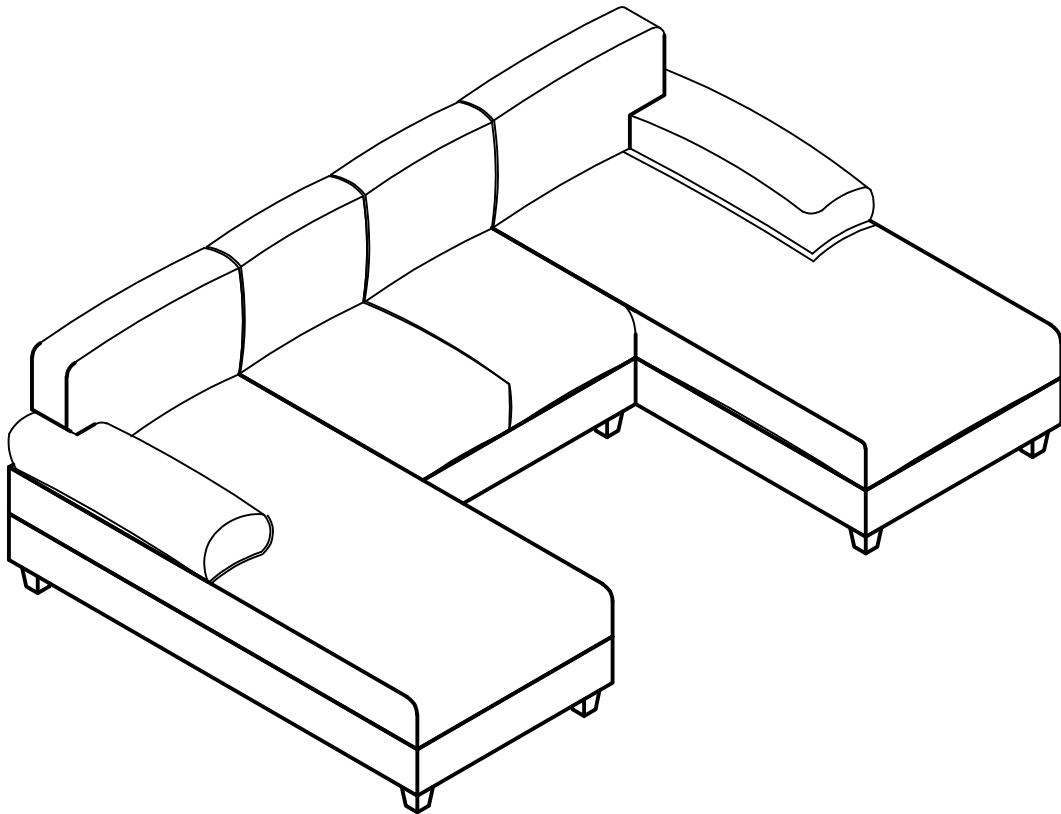


ASSEMBLY INSTRUCTION

WF320639 WF320640 WF320641

Friendly Reminder:

- 1.This sofa is packed in 3 boxes. Please assemble it After all boxes are received.
- 2.As the cushions are all vacuum compressed,there will be some wrinkles. Please give your cushions up to 72 hours to reach its original size and the wrinkles will basically disappear.
- 3.Please do not open the compressed packages until your sofa frame is completely assembled.





Return & Warranty policy:

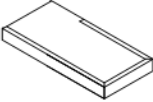





- We strive to offer the highest quality products,and we also try our best to satisfy each and every customer that orders from us with replacement parts or service as needed.
- If the item is damaged or defective, please take photos as evidence for replacements and refunds.
- Please do not return to store,contact the seller if you have any troubles with this product.

ASSEMBLY INSTRUCTION

HARDWARE

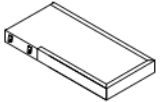
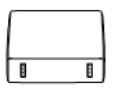
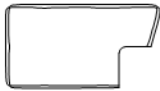


NO	DESCRIPTION	SKETCH	QTY
1	Leg		12
2	Plastic gasket		12

PARTS LIST WF320639

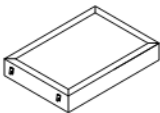

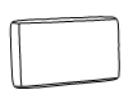
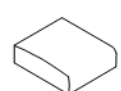
NO	DESCRIPTION	SKETCH	QTY
A	Seat frame (left)		1
G	Backrest		1
L	Back cushion (left)		1
H	Seat cushion (left)		1
O	Armrest (left)		1
M	Armrest (right)		1

ASSEMBLY INSTRUCTION

PARTS LIST WF320640

NO	DESCRIPTION	SKETCH	QTY
B	Seat frame (right)		1
G	Backrest		1
K	Back cushion (right)		1
I	Seat cushion (right)		1
R	Seat cushion (middle)		1

PARTS LIST WF320641

NO	DESCRIPTION	SKETCH	QTY
D	Seat frame (middle)		1
G	Backrest		2
F	Back cushion (middle)		2
R	Seat cushion (middle)		1

ASSEMBLY INSTRUCTION

All parts and hardwares.

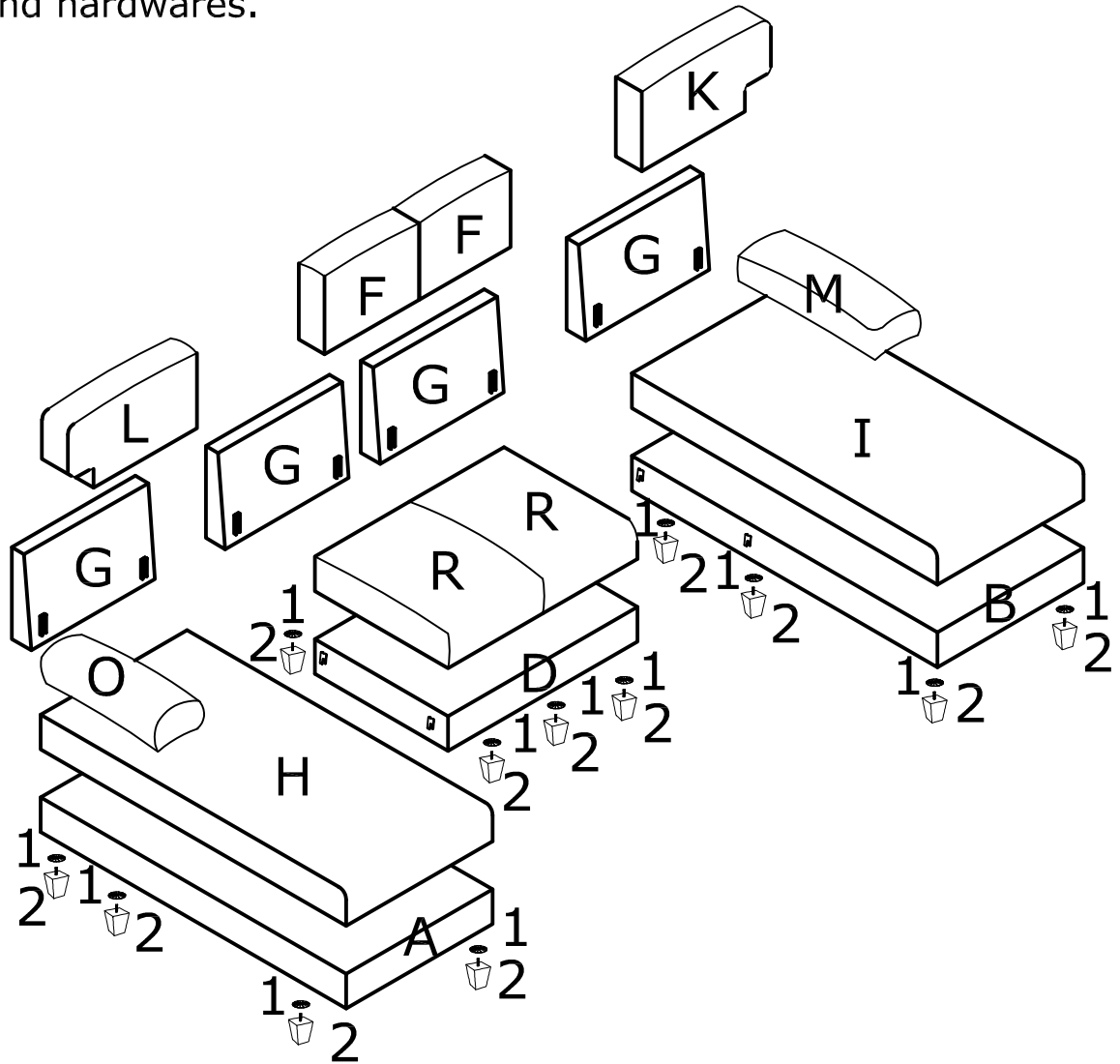
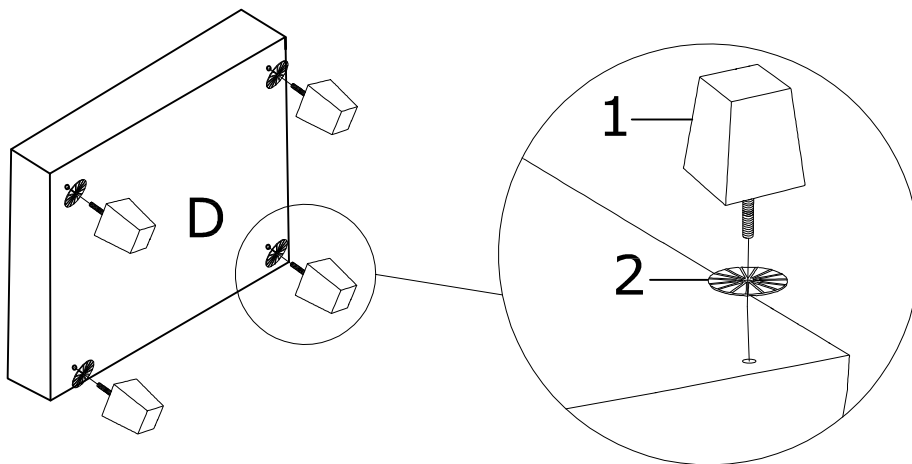


DIAGRAM 1 (Assemble the Legs)

Tighten 4 Legs (Hardware 1) by Plastic gaskets (Hardware 2).

1		4PCS
2		4PCS



4/8

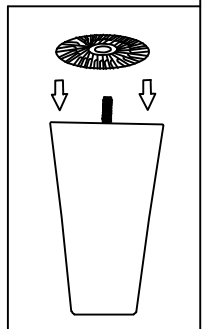

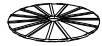


DIAGRAM 2 (Assemble the Legs)

Tighten 8 Legs (Hardware 1) by Plastic gaskets (Hardware 2).

1		8PCS
2		8PCS

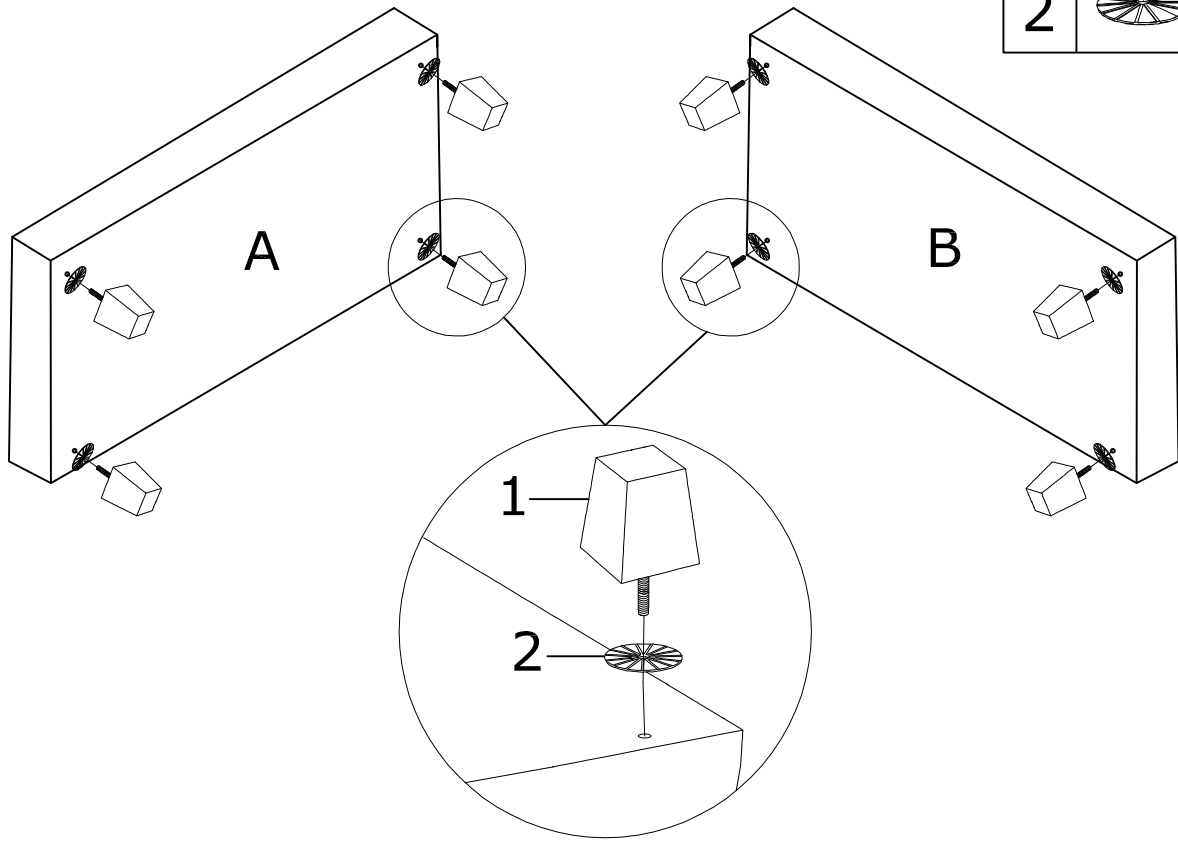


DIAGRAM 3 (Connecting the Seat frames)

Connect the Seat frame (right) (Part B) to the Seat frame (middle) (Part D)
Connect the Seat frame (left) (Part A) to the Seat frame (middle) (Part D)

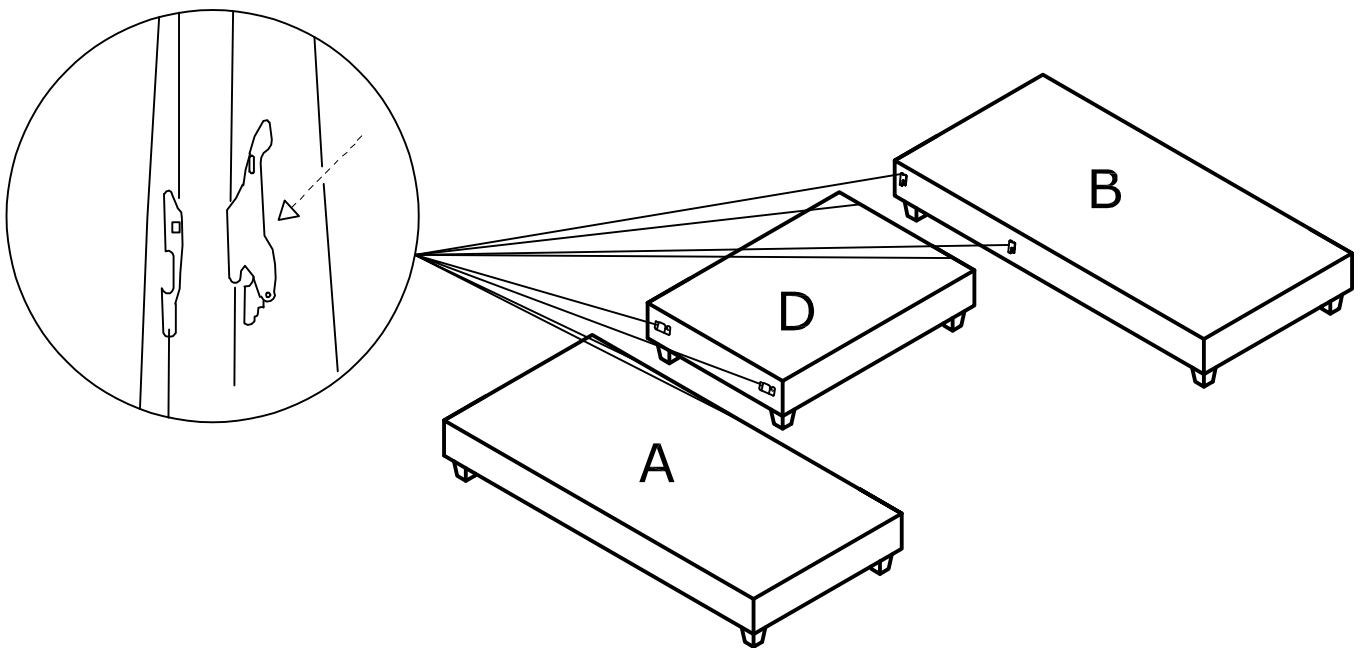


DIAGRAM 4 (Assemble the Backrest)

Connect the Backrest (Parts G) to the Seat frame (left) (Parts A).
Connect the Backrest (Parts G) to the Seat frame (middle) (Part D).
Connect the Backrest (Parts G) to the Seat frame (right) (Part B).

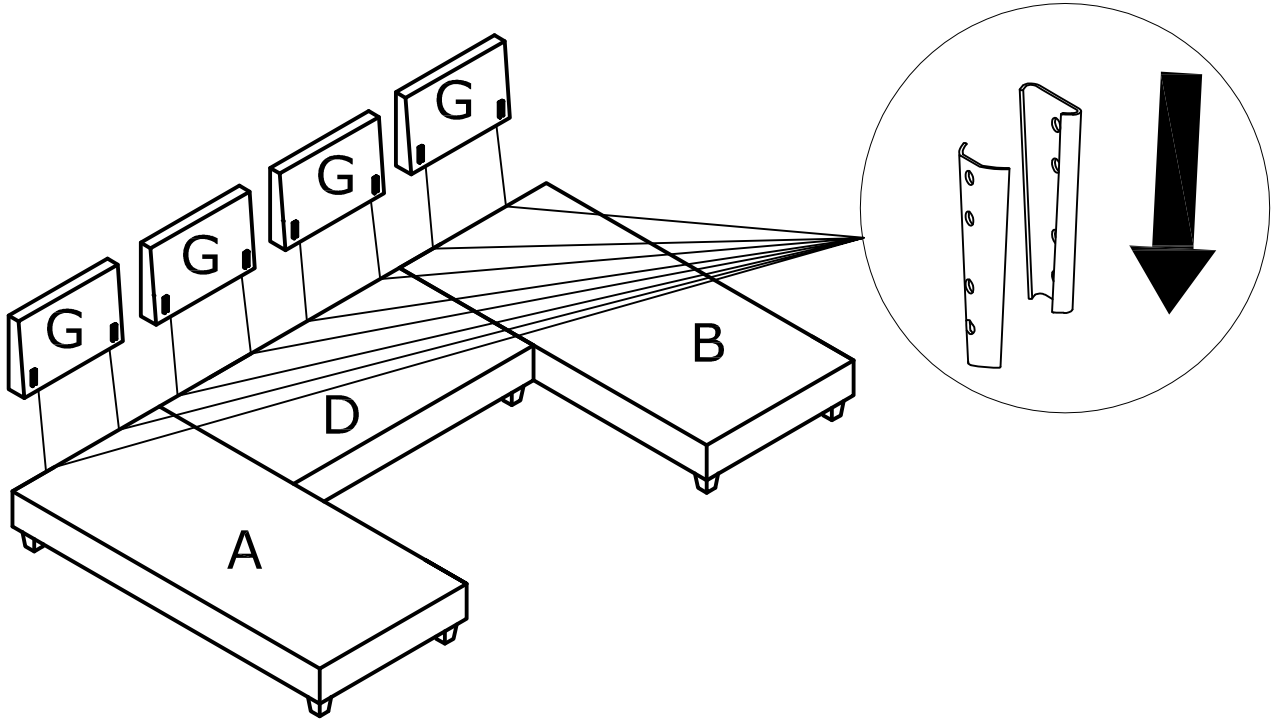


DIAGRAM 5 (Assemble the Seat cushion)

Put Seat cushion (left) (Parts H) on the Seat frame (left) (Part A).
Put Seat cushion (middle) (Parts R) on the Seat frame (middle) (Part D).
Put Seat cushion (right) (Part I) on the Seat frame (right) (Part B).

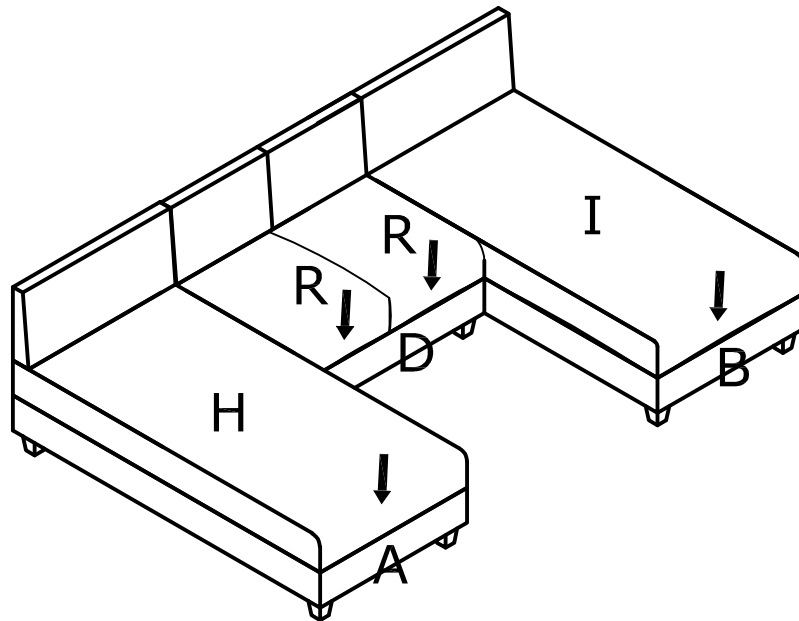


DIAGRAM 6 (Assemble the Back cushions and Armrests)

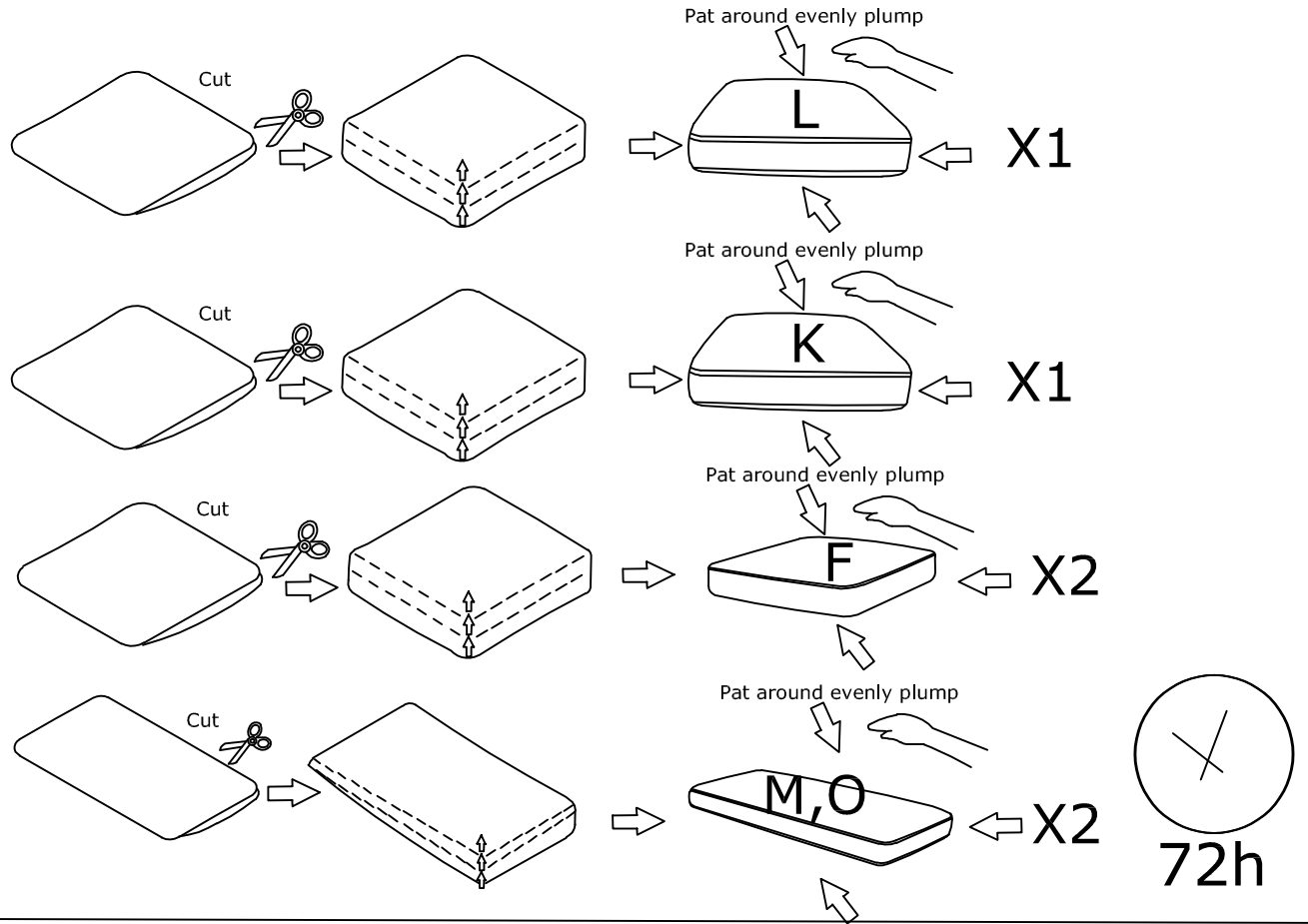


DIAGRAM 7 (Assemble the Arm)

Attach Armrest (left) (Part O) to Seat cushion (left) (Part H) with zipper.
Attach Armrest (right) (Part M) to Seat cushion (right) (Part I) with zipper.

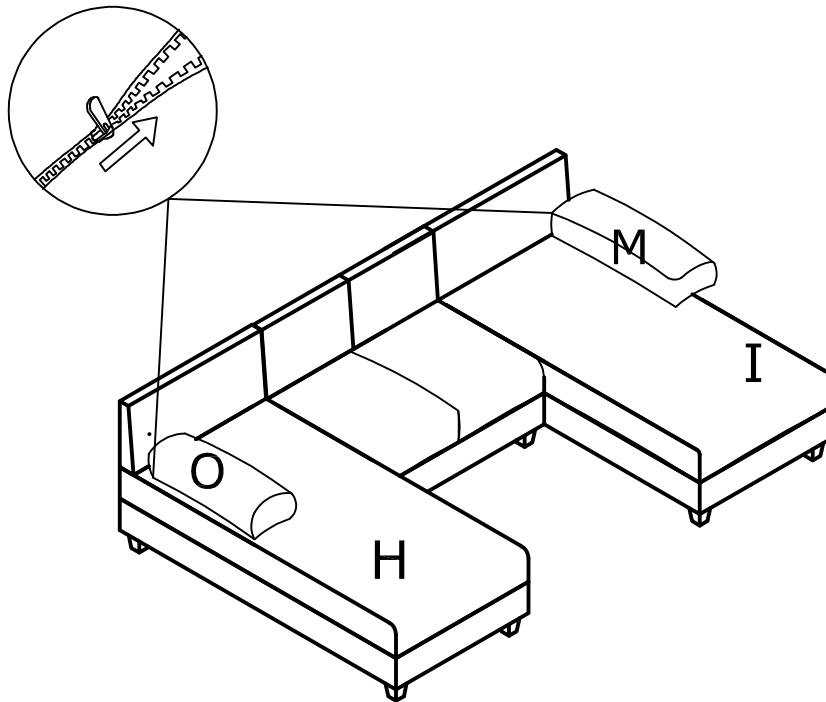
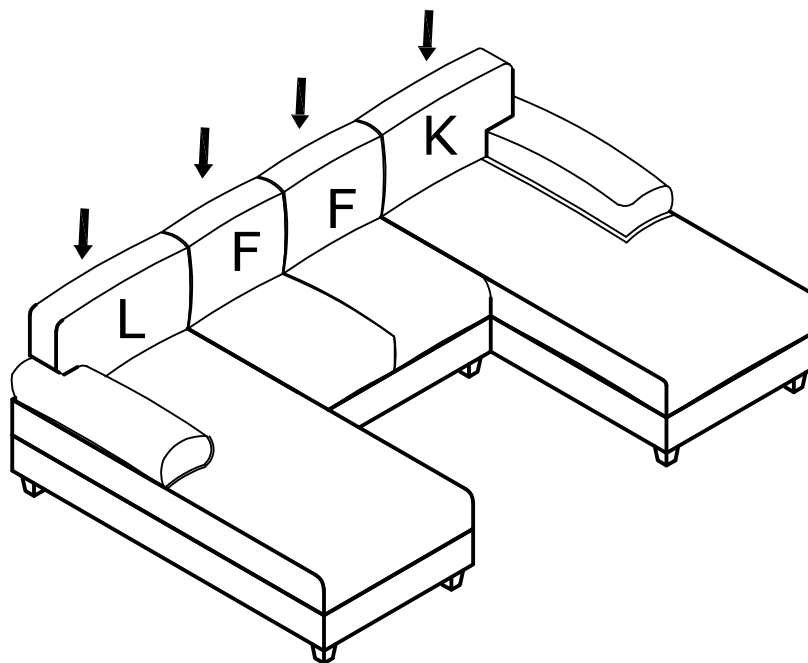


DIAGRAM 8 (Place the Back cushion on the sofa)

Put the Back cushion (left) (Part L), Back cushions (middle) (Part F) and Back cushion (right) (Part K) on the sofa.



TIPS:

1. Please do not open the compressed packages until your sofa frame is completely assembled.
2. Compressed back cushions and pillows need to be fully fulfilled within 72 hours for your perfect use.
3. Please keep children away from plastic bags or any small pieces of stuff.

