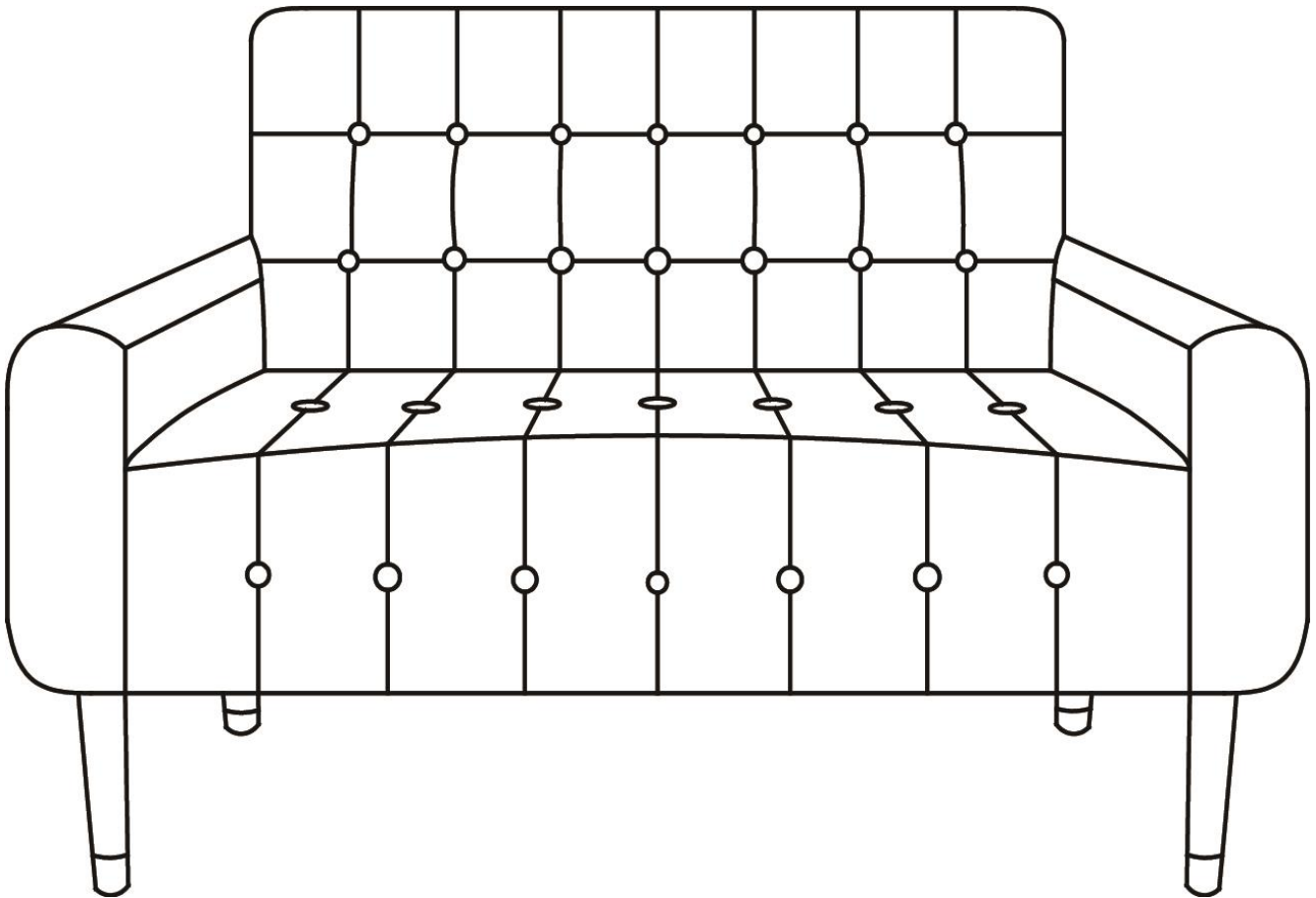


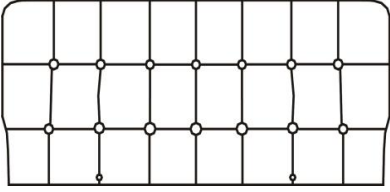
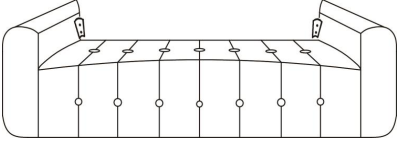

Assembly Instructions

Caution: You must read this before you proceed










Loveseat



Part List

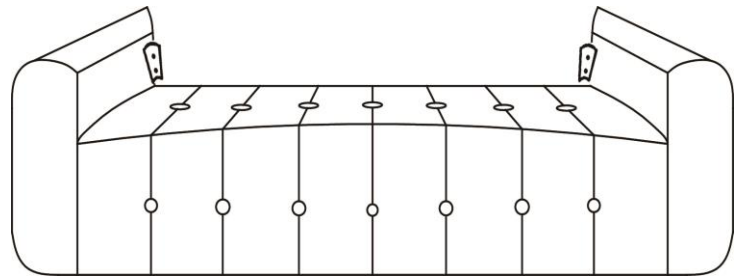
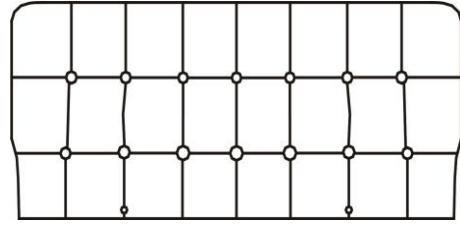
Label	Picture	Description	QTY
A		Backrest	1
B		Seat	1
C		Leg	4

Hardware

Label	Picture	Description	QTY
①		Bolt (M8*70mm)	2
②		Washer(M8)	2
③		Gasket	7
④		Allen Key	1
⑤		Spring Washer	2
⑥		Washer(M6)	5
⑦		Bolt (M6*20mm)	5
⑧		Screw (M4*25mm)	5
⑨		Tapered Connector	2

Assembly Preparation

Before Beginning Assembly:



- Read instructions, cover to cover-



- Have 2 adults on hand for assembly-



- Do not assemble on flooring or carpet-



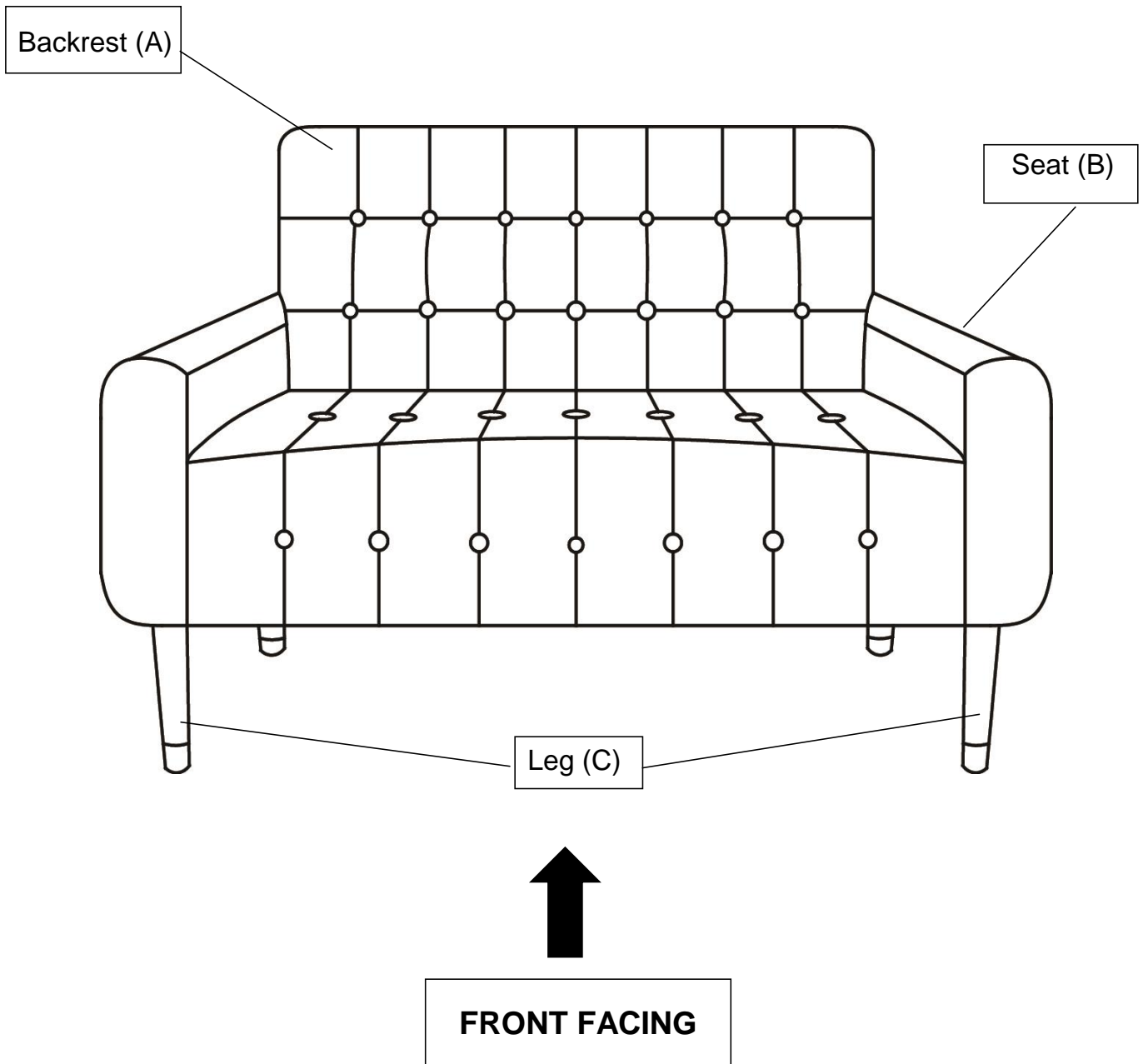
- Assemble on a clean non-marring surface (packing foam)-



- Save all packaging until finished-

Assembly Steps

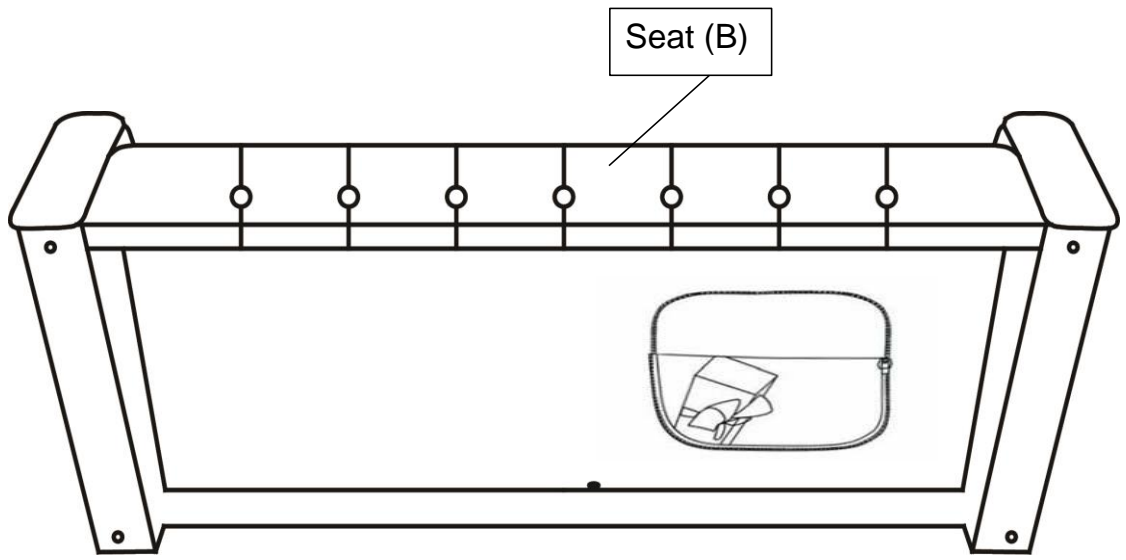
Overview



This Loveseat has multiple parts and may require up to 60 minutes to assemble. To give you an overview of the Loveseat parts, the above picture is to help you put the various parts into perspective. Please read through the instructions below to familiarise yourself with the parts and steps before assembly.

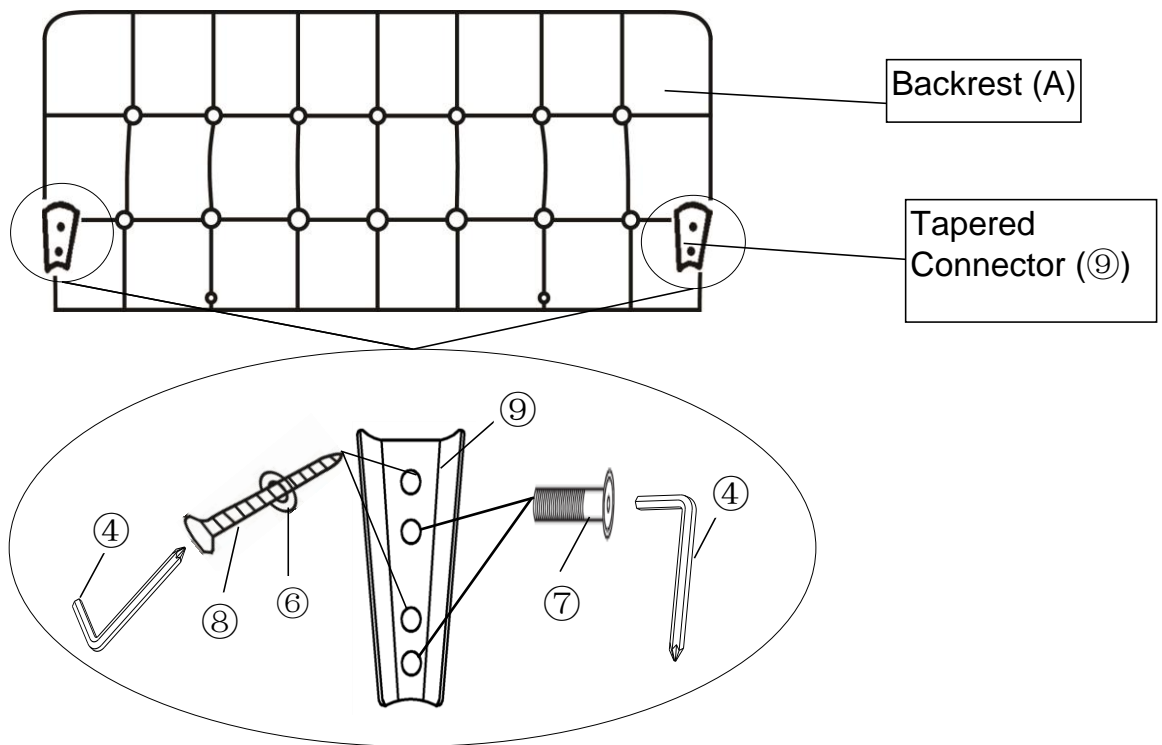
Note: It is recommended that you have an adult partner to assist during the entire assembly process.

Step 1



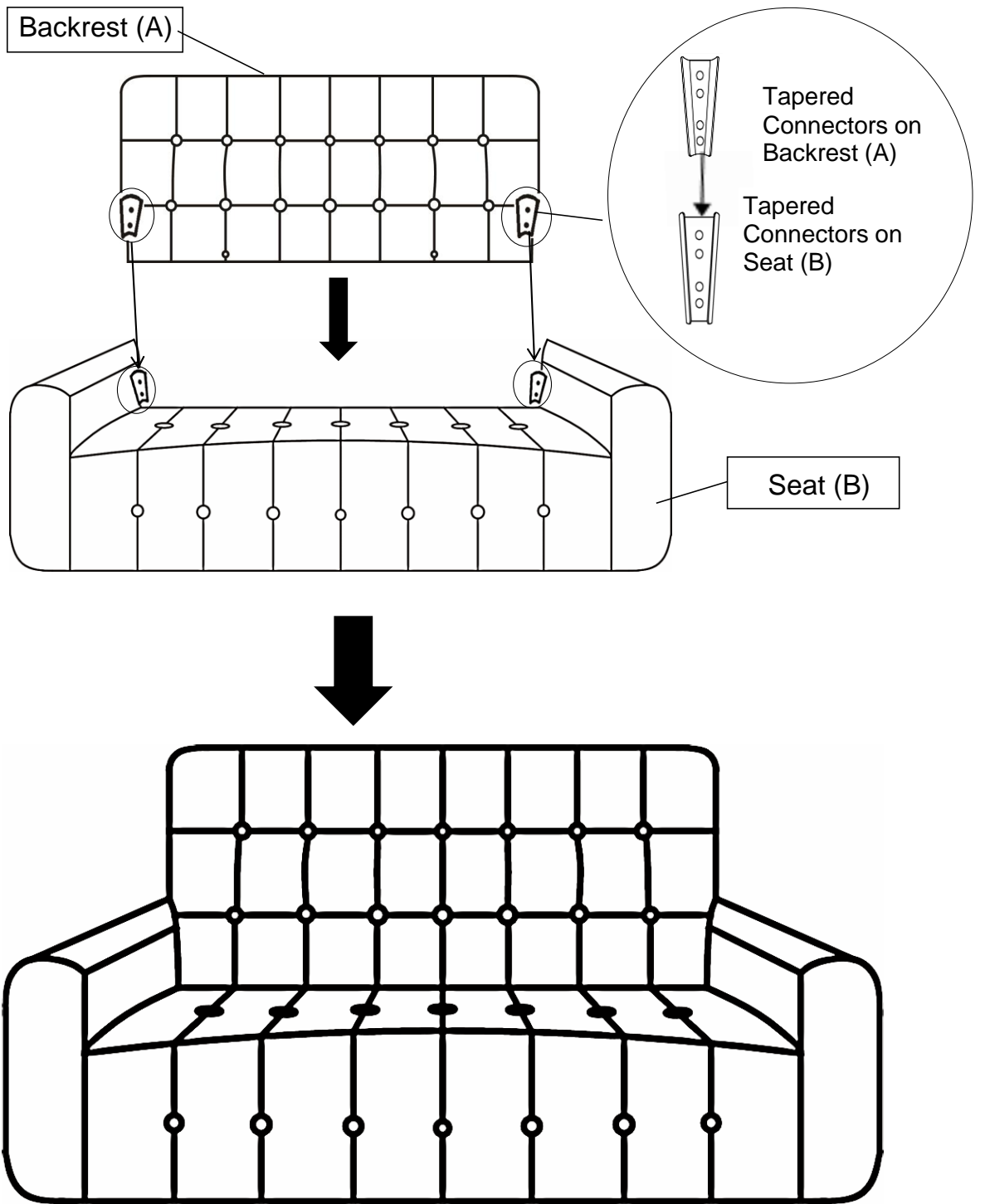
Position the Seat(B) on its back, on a clean, non-marring surface.
Unzip the pouch and remove the Legs(C) and Hardware.
Close the pouch before assembling.

Step 2



Attach Tapered Connectors(9) onto both sides of Backrest(A) using Bolts(7), Screws(8) and Washers(6) with Allen Key(4) as indicated in the diagram above.
Note: Make sure the Tapered Connectors' larger side shall be upwards. Use Bolt(7) to fix into the second and fourth mounting position, use screws (8) and Washers(6) to fix into the first and third mounting position. Tighten with Allen Key.

Step 3



Lift the Backrest(A) up, make sure the Backrest(A) is vertical and aligned to the Seat(B).

Align the Tapered Connectors on the Backrest(A) and Seat(B).

Then slide the Backrest(A) downwards, in a gradual and balanced manner into the Tapered Connectors.

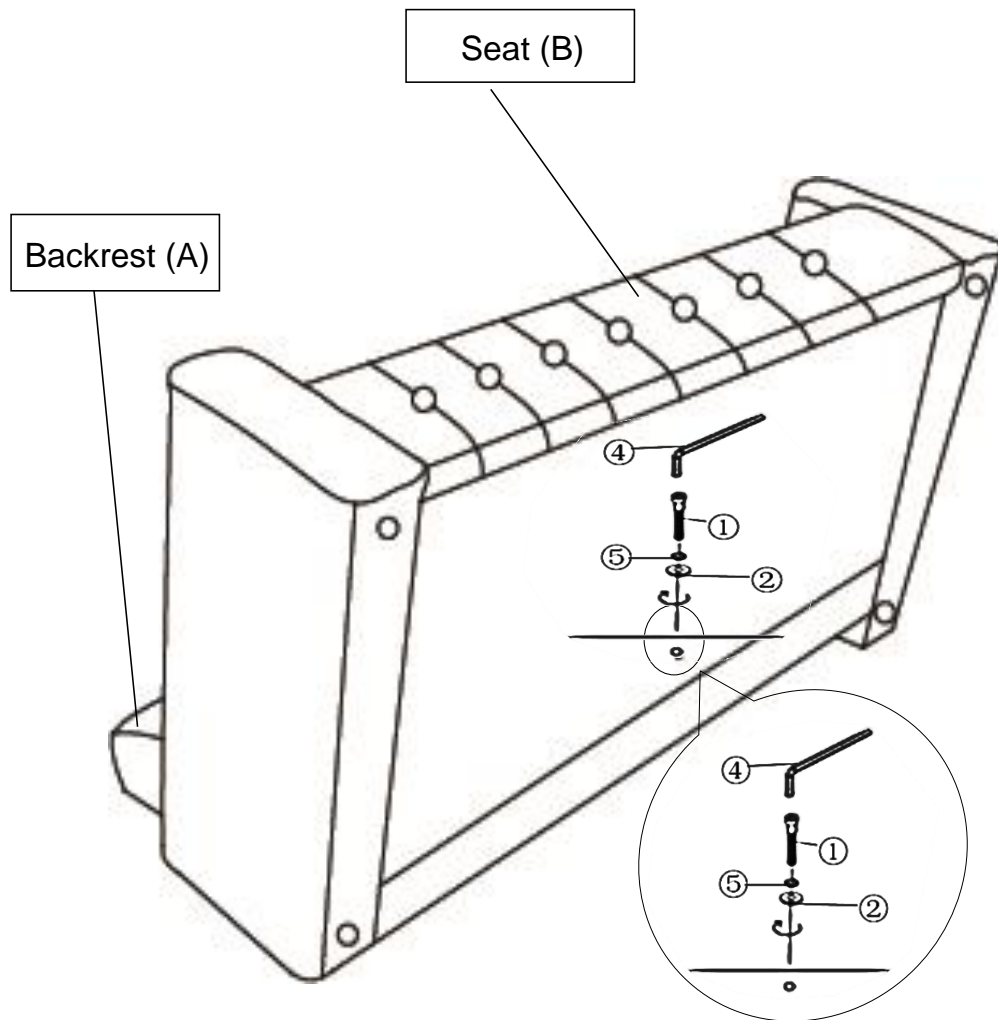
Push the Backrest(A) downwards until it is fully slotted and locked into position.

Note: Ensure the Tapered Connectors on Backrest(A) lock into Tapered Connectors on Seat(B).

Fully locked position: Check the base of the Backrest(A) and the Seat(B) are aligned and level.

Assistance from an adult partner is needed for this process.

Step 4



Attach Seat(B) to Backrest(A) using Bolts(①), Spring Washers(⑤) and Washers(②) with Allen Key(④) as pictured above.

Tighten the Bolts fully in a sequential manner.

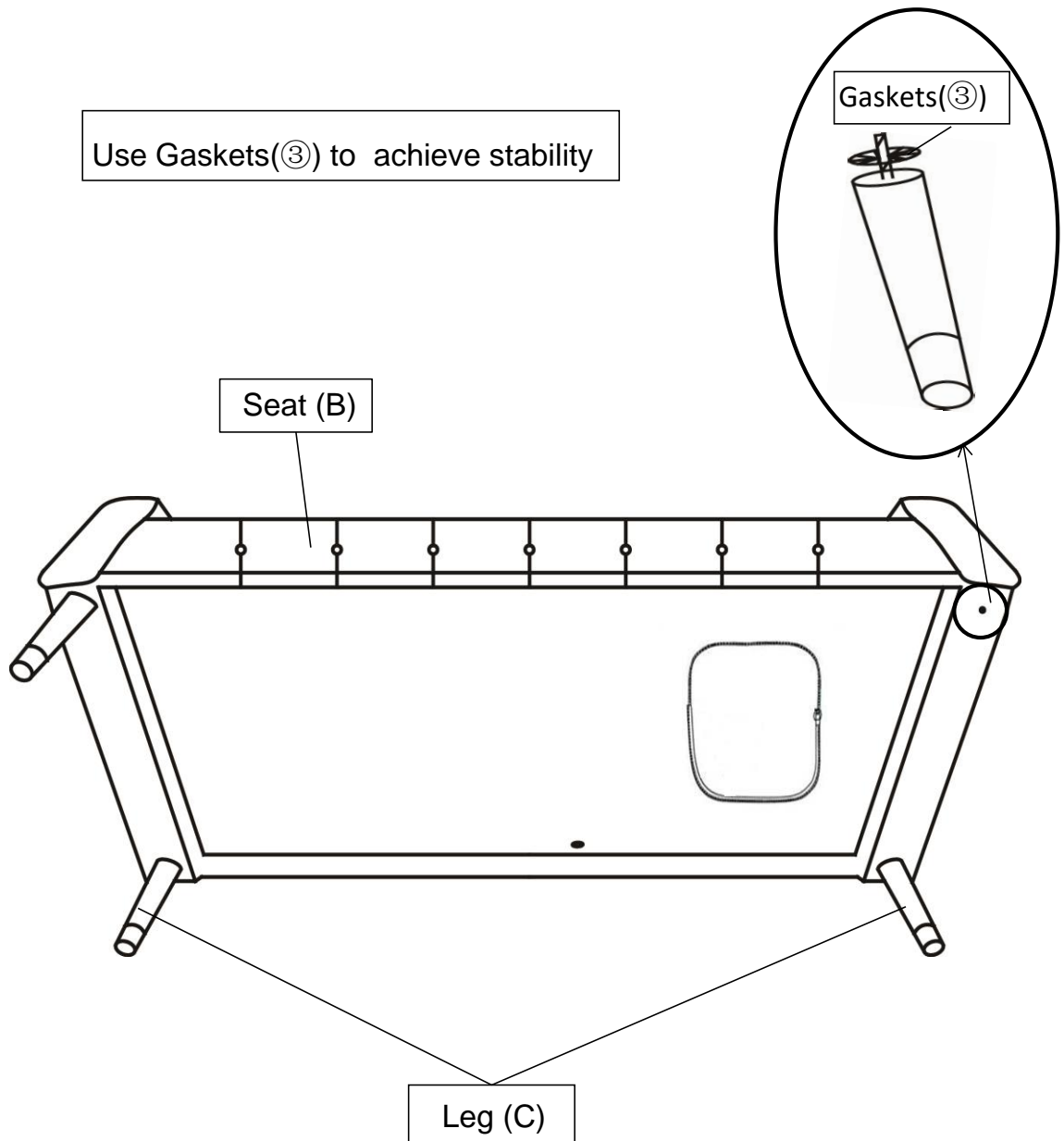
DO NOT fully tighten a Bolt in one go and then move on to the next.

Rather, In a sequential manner, gradually tighten each Bolt until all Bolts are evenly secured.

This methodology will ensure maximum evenness once all Bolts are fully tightened.

Step 5

Use Gaskets(③) to achieve stability



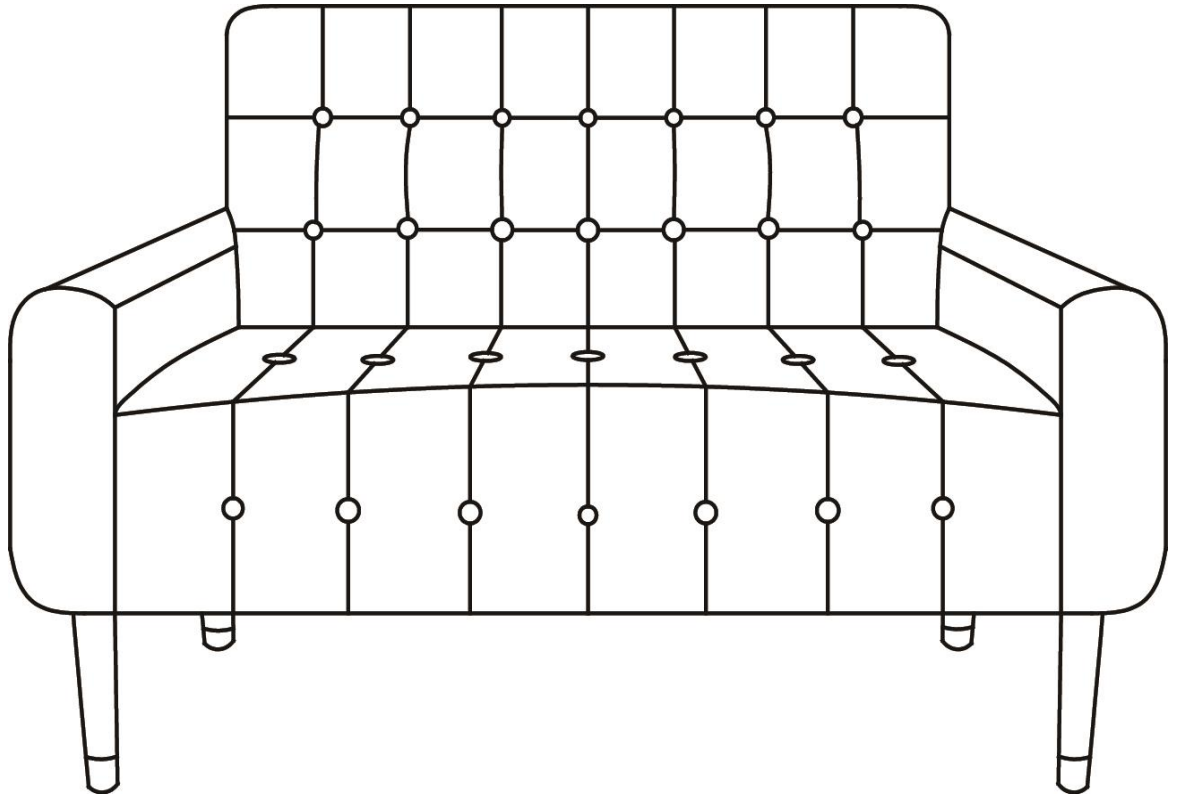
Install the Legs(C) at the bottom of the Seat(B).

Insert threaded stems of Legs(C) into the mounting position at the corners of the Seat(B).

Tighten by turning the Leg clockwise by hand.

Note: The use of Gaskets(③) are OPTIONAL and are especially useful to help alleviate slight wobbles. Some Legs may need more than one gasket whilst some Legs may not need any.

Step 6



Your Loveseat is ready for use.
This Loveseat can only be used on a flat, level surface.

Care & Maintenance



- Do not put hot items directly on furniture surface



- Do not clean furniture with harsh cleansers or polish.



- Do not place furniture under direct sunlight.



- Do not place furniture near heating or cooling vents.



- Do not write on furniture without a padded barrier to protect the surface.



- Do not place furniture outside . For indoor use only .



- Not for commercial use. For residential use only .



- Stains may be removed with mild soap solution and damp cloth.



- Children should not climb or jump on the furniture.



- Dust and pick-up spills using a clean, non-colored, lint-free cloth .