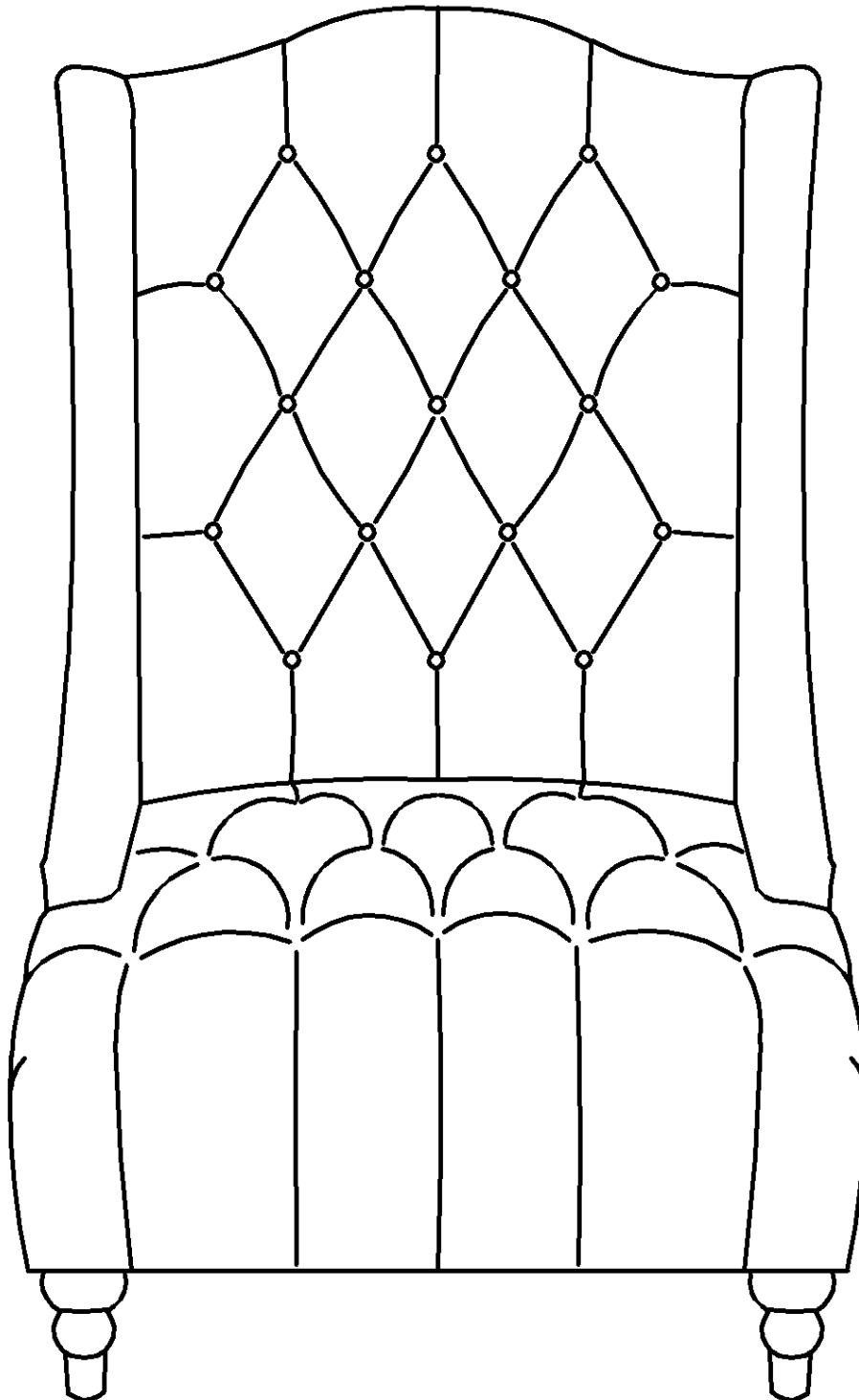


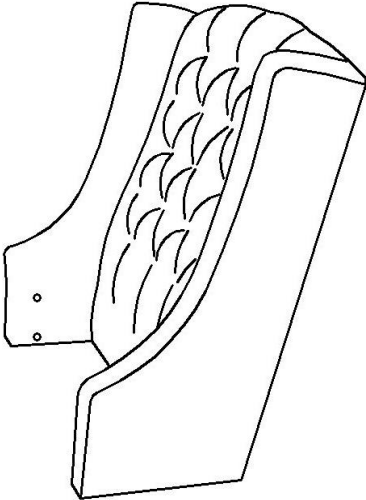
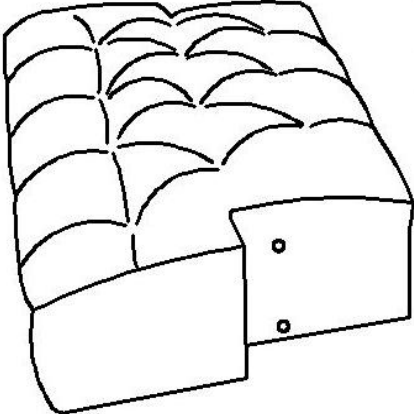
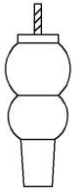
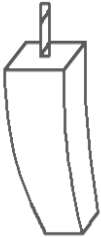
Assembly Instructions

Caution: You must read this before you proceed






Club Chair



Parts List

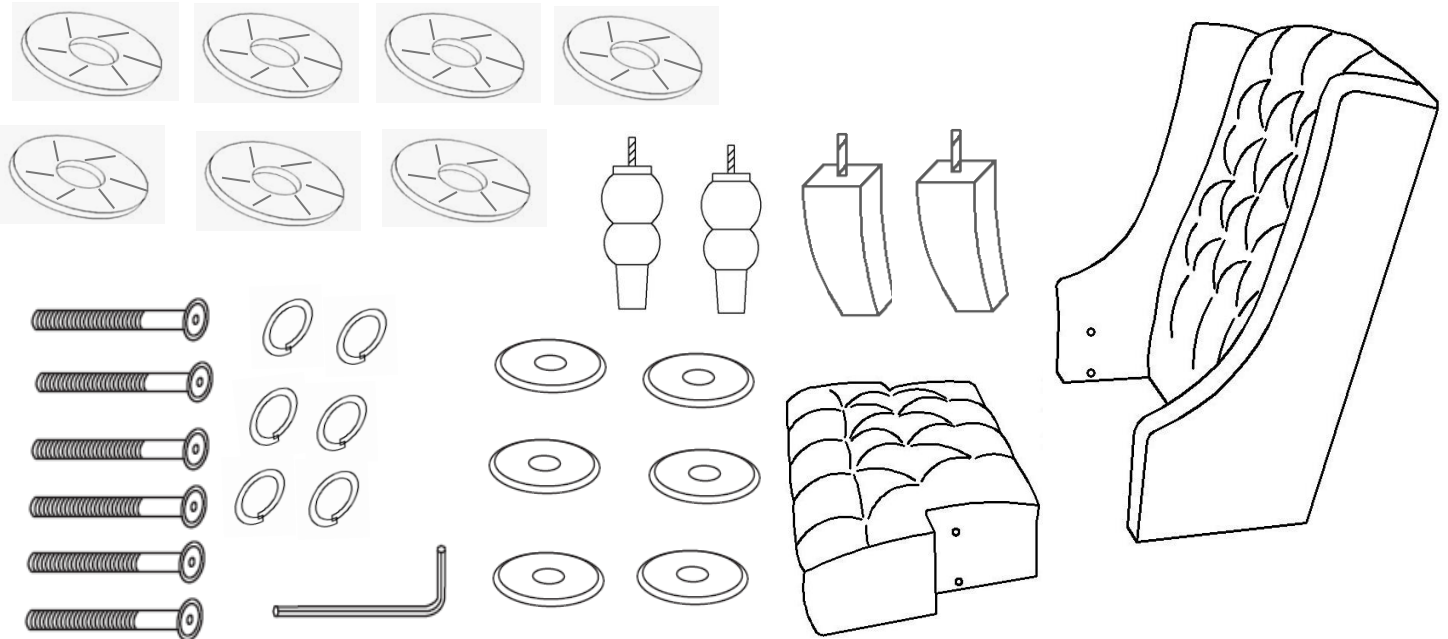
Label	Picture	Description	QTY
A		Chair Backrest	1
B		Chair Seat	1
C		Front Wooden Legs	2
D		Back Wooden Legs	2

Hardware

Label	Picture	Description	QTY
①		Bolt M8X70	6
②		Allen Key	1
③		Flat Washer Rings	6
④		Spring Washer Ring	6
⑤		Plastic Washer Rings	7

Assembly Preparation

Before Beginning Assembly:



- Read instructions, cover to cover-



- Have 2 adults on hand for assembly-



- Do not assemble on flooring or carpet-



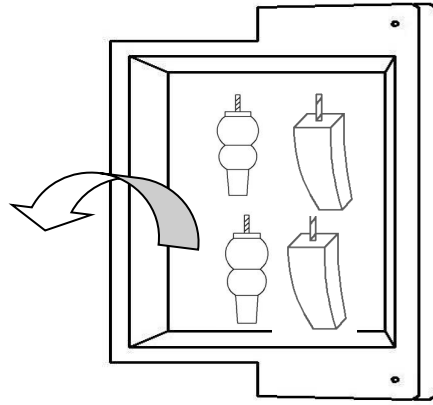
- Assemble on a clean non-marring surface (packing foam)-



- Save all packaging until finished-

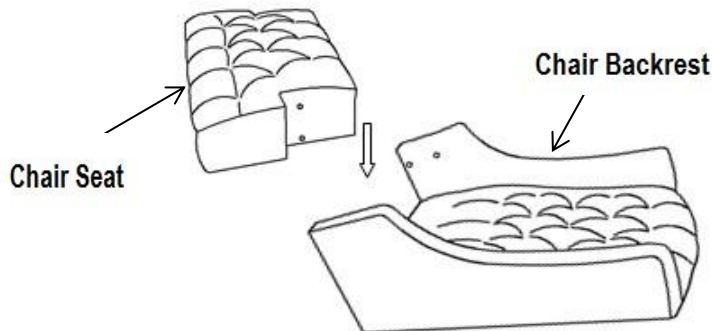
Assembly Steps

Step 1



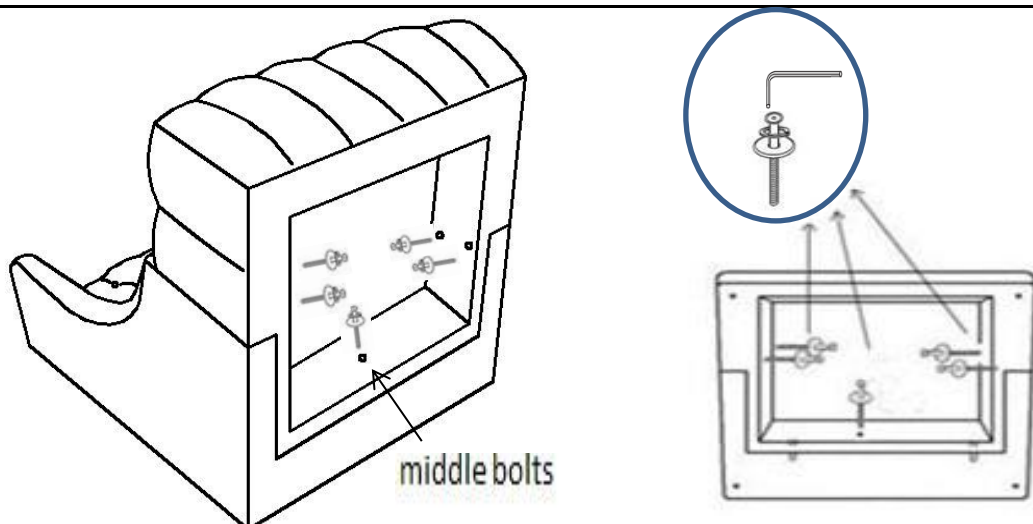
Position Chair Seat on its back, as shown.
DO NOT place on surface that can scratch or damage upholstery.
Unzip to open and remove the 4 wooden legs.
Close pouch before assembling.

Step 2



Put the Chair backrest(A) onto a flat table or panel, Insert the Chair seat(B) into Chair Backrest (A) as denoted above.

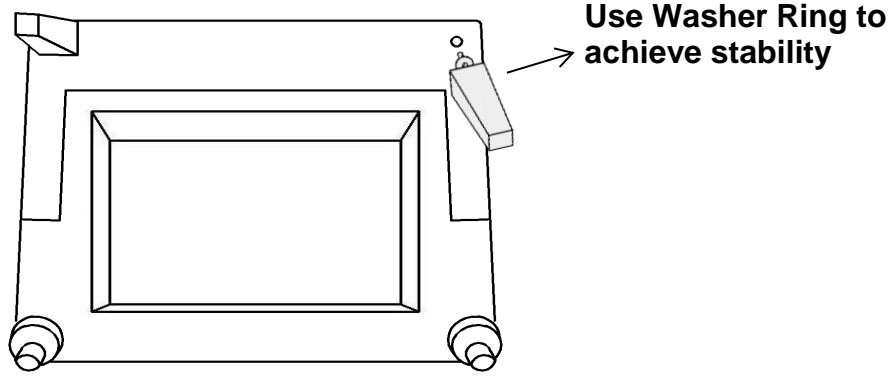
Step 3



You should first fix the middle bolts on the Chair seat (B) tightly until there is no gap between Chair seat (B) and Chair backrest (A). Using hand to push Chair seat (B) forward a bit for finding and insert the bolts for sides correctly, and fix them.

TIGHTEN, UNTIL SECURE AND STABLE. DO NOT OVER TIGHTEN.

Step 4



Install the leg into the chair by putting a Plastic Washer Ring(e) (improves tightness and security of leg) on the threaded stem.

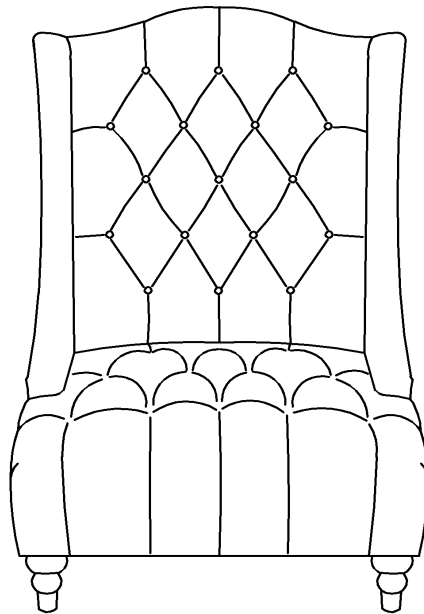
The use of plastic washer rings are OPTIONAL and is especially useful to help alleviate slight wobbliness.

Then insert the threaded stem into the threaded hole at each corner of the bottom of the chair.

Tighten by turning leg clockwise.

Repeat the same procedure to install the other three remaining legs.

Step 5



Make sure all parts are connected and securely locked into position.
Your chair is ready for use.

Care & Maintenance



- Furniture may scratch floors. We recommend using furniture pads to protect your floors.



- Do not put hot items directly on furniture surface.



- Do not clean furniture with harsh cleansers or polish.



- Do not place furniture under direct sunlight.



- Do not place furniture near heating or cooling vents.



- Do not write on furniture without a padded barrier to protect the surface.



- Do not place furniture outside . For indoor use only.



- Not for commercial use. For residential use only.



- Stains may be removed with mild soap solution and damp cloth.



- Children should not climb or jump on the furniture.



- Dust and pick-up spills using a clean, non-colored, lint-free cloth.