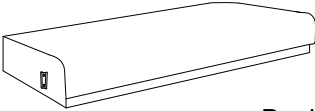
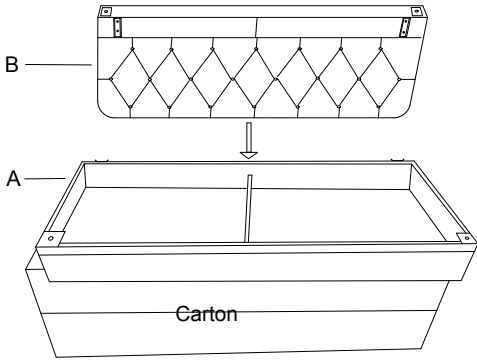
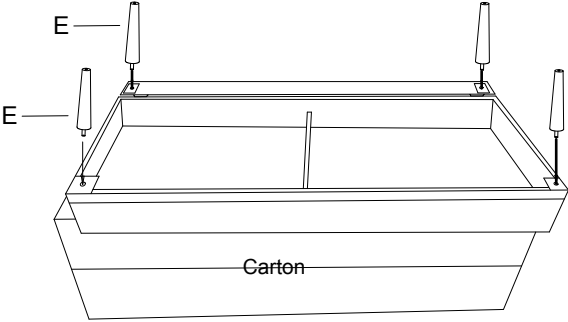
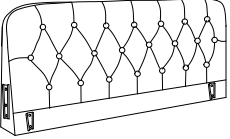
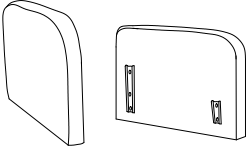
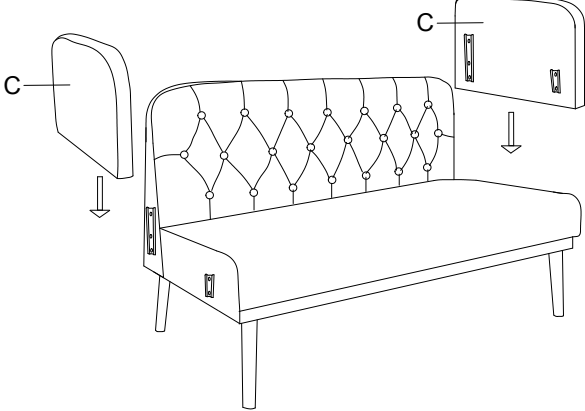
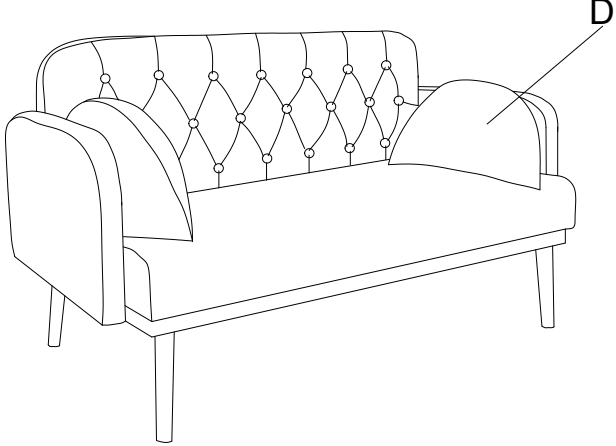
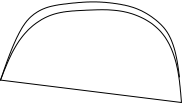



Assembly Instructions

A	 <p>Back Cushion X1</p>	<p>1</p>  <p>Attach the backrest to the cushion and insert the latch fitting from the bottom of the cushion upwards</p>	<p>2</p>  <p>Install the four sofa legs on the cushion and tighten clockwise</p>
B	 <p>Sofa X1</p>		
C	 <p>Arm X2</p>	<p>3</p>  <p>Insert the armrest of the sofa, from top to bottom</p>	<p>4</p> 
D	 <p>Pillow X2</p>		
E	 <p>Leg X4</p>		

Note:

1. Please do not open the package with sharp utensils, so as not to damage the sofa unintentionally
2. It is forbidden to sit on the backrest and armrest of the sofa, or suddenly hit the sofa and jump on the sofa, so as not to damage the internal frame of the sofa and affect the personal safety of the user.
3. Avoid direct sunlight on the sofa, and the sofa should be at least 20inch away from heaters or other heat sources.
4. This product is packaged in parts and must be assembled according to the requirements of the installation manual. After the assembly is completed, check whether the installation is in place and confirm safety before use so as not to affect the personal safety of the user.
5. When the sofa needs to be moved, it must be lifted from the bottom and moved gently