









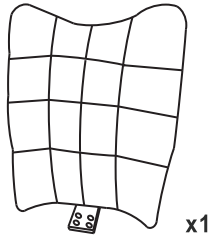


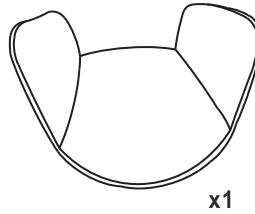
AC158 ASSEMBLY INSTRUCTIONS

A		 M6x25mm	8pcs
B		 M6x45mm	1pcs
C		 M6x65mm	4pcs
D		M4	1pc
E		 M8x35mm	4pcs
G		M8	1pc

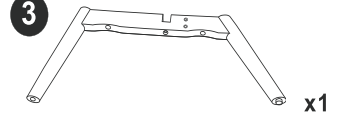
1



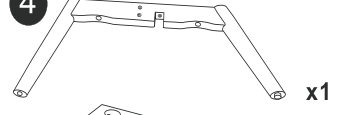
2



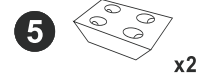
3



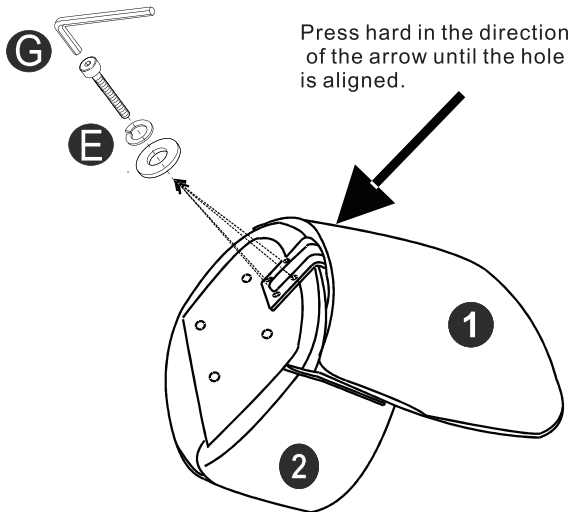
4



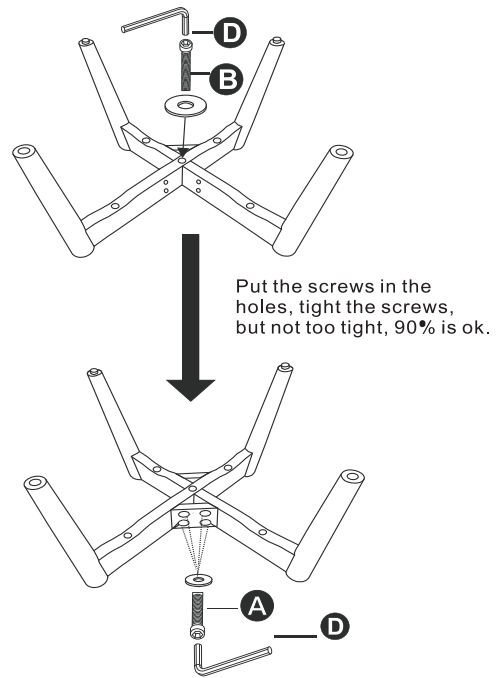
5



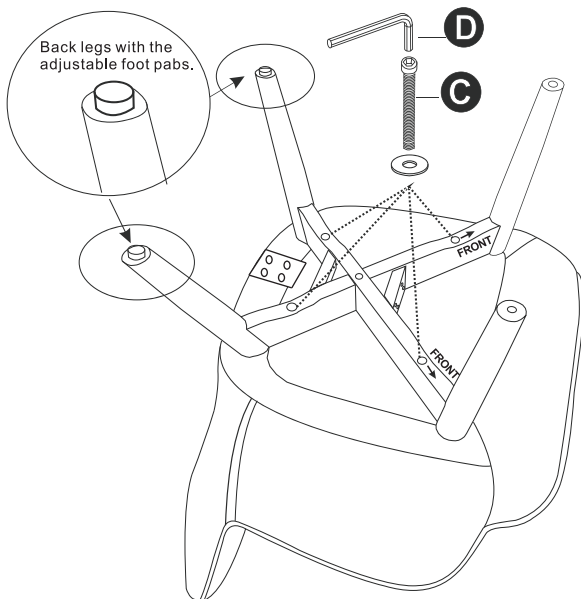
step1



step2







step3

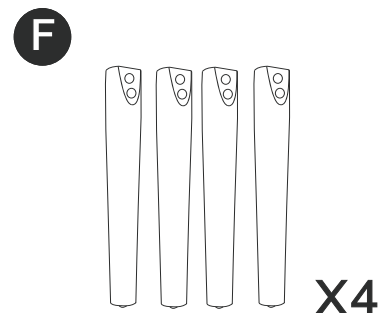
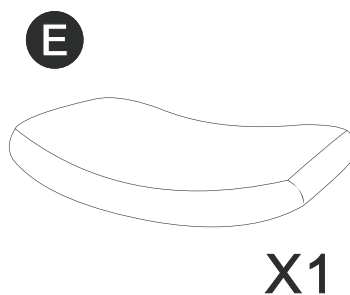


step4

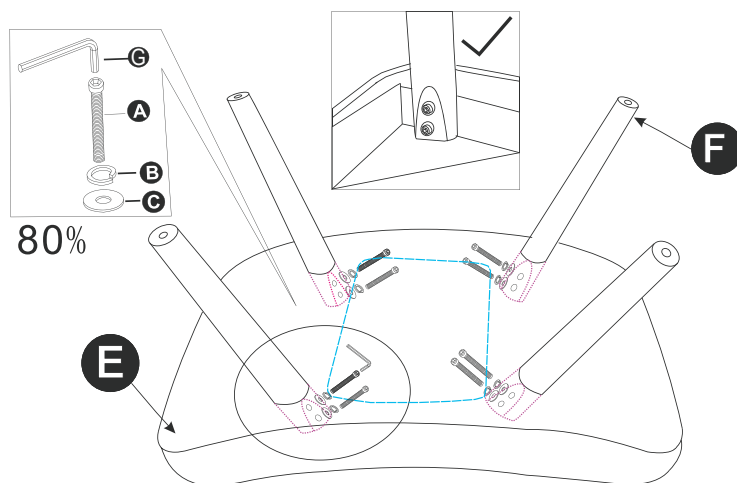


AC158 ASSEMBLY INSTRUCTIONS

A	 M8x65MM	X8
B	 M8	X8
C	 M8x18MM	X8
G	 M8	X1



step1



Pls do **NOT** fully-tighten all screws before adjusting the balance of the whole footrest

step2

