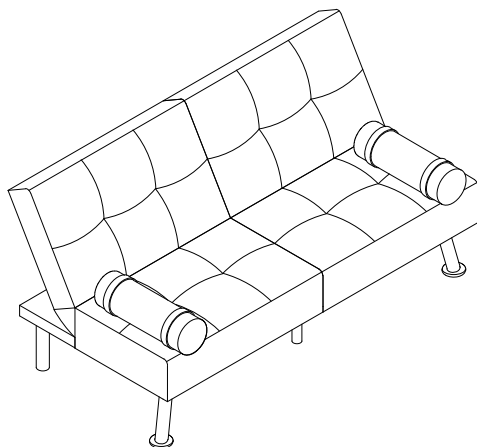
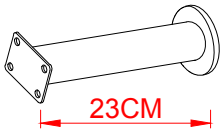

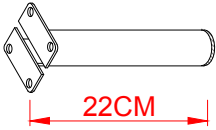
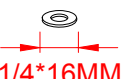




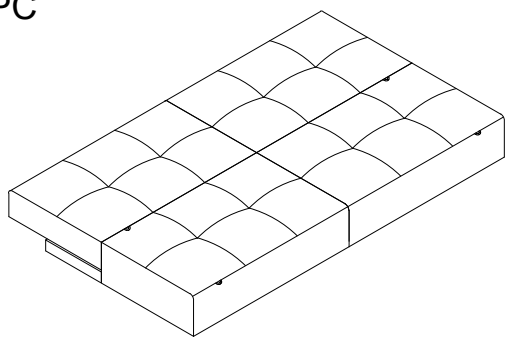
① ASSEMBLY INSTRUCTION

MODEL NO.HC5593

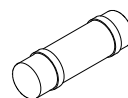


Components/QTY	Components/QTY	Components/QTY
A 2PCS 	B 2PCS 	C 2PCS 
D 16PCS 	E 16PCS 	F 1PC 

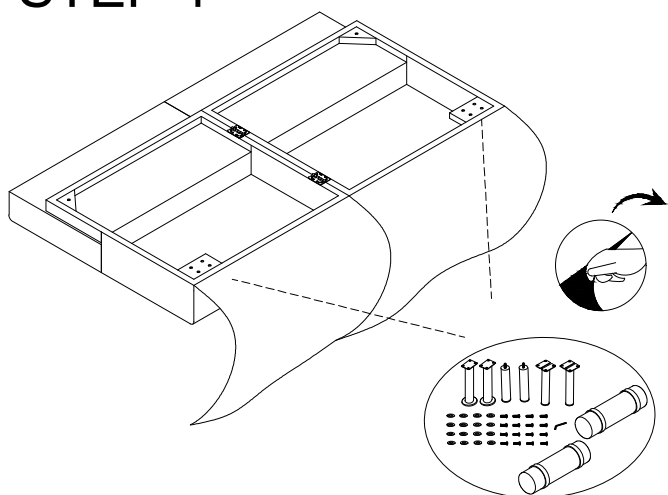
① 1PC



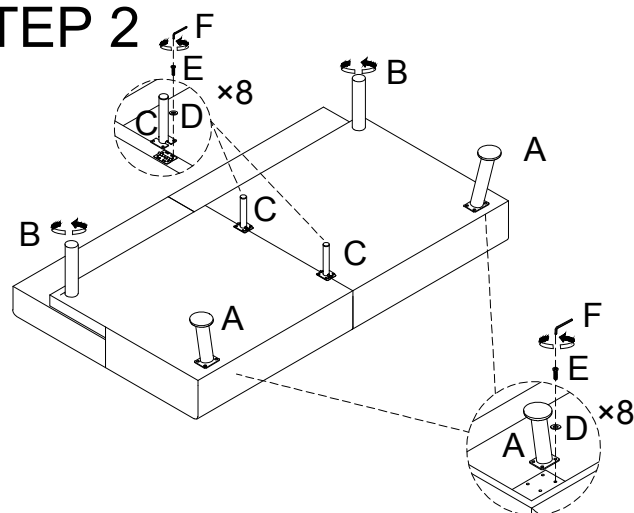
② 2PCS



STEP 1



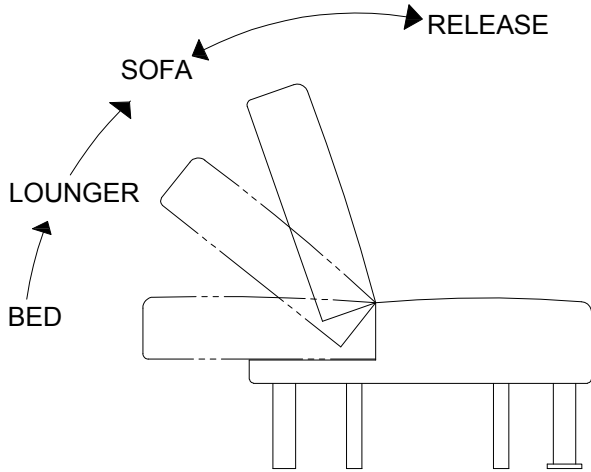
STEP 2



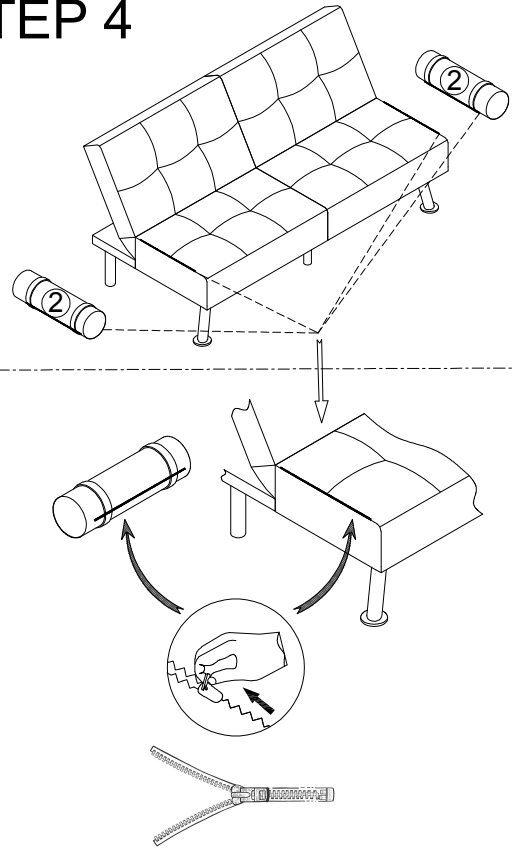
② ASSEMBLY INSTRUCTION

MODEL NO.HC5593

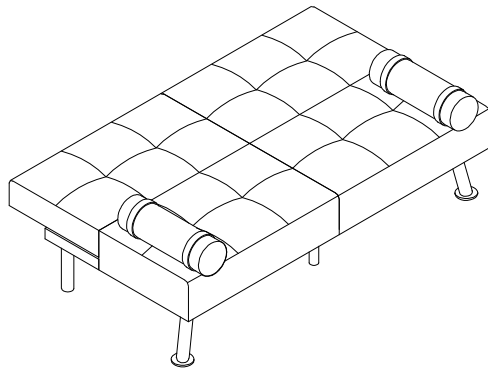
STEP 3



STEP 4



STEP 5



STEP 6

