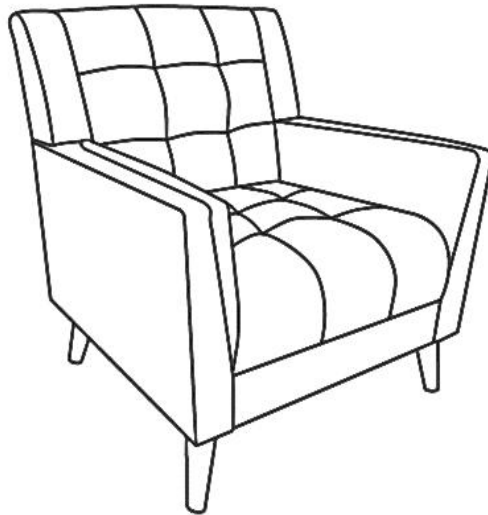



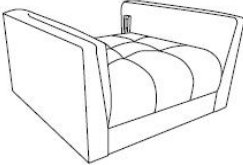

Assembly Instructions



Caution: You must read this before you proceed

Club Chair





Parts List

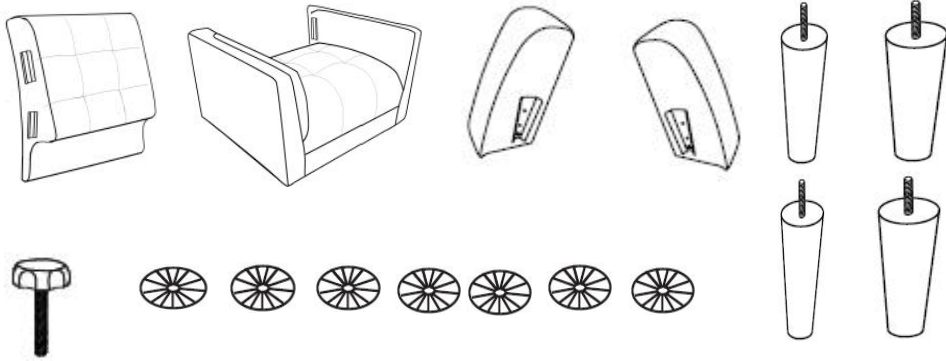
Label	Picture	Description	QTY
A		Backrest Panel	1
B		Seat Base	1
C		Back Left Side	1

D		Back Right Side	1
F		Leg	4

Hardware

Label	Picture	Description	QTY
①		Bolt (M6*40mm)	1
②		Plastic Washer	7

Assembly Preparation

<p>Before Beginning Assembly:</p>	
------------------------------------------	--------------------------------------------------------------------------------------



- Read instructions, cover to cover-



- Have 2 adults on hand for assembly-



- Do not assemble on flooring or carpet-



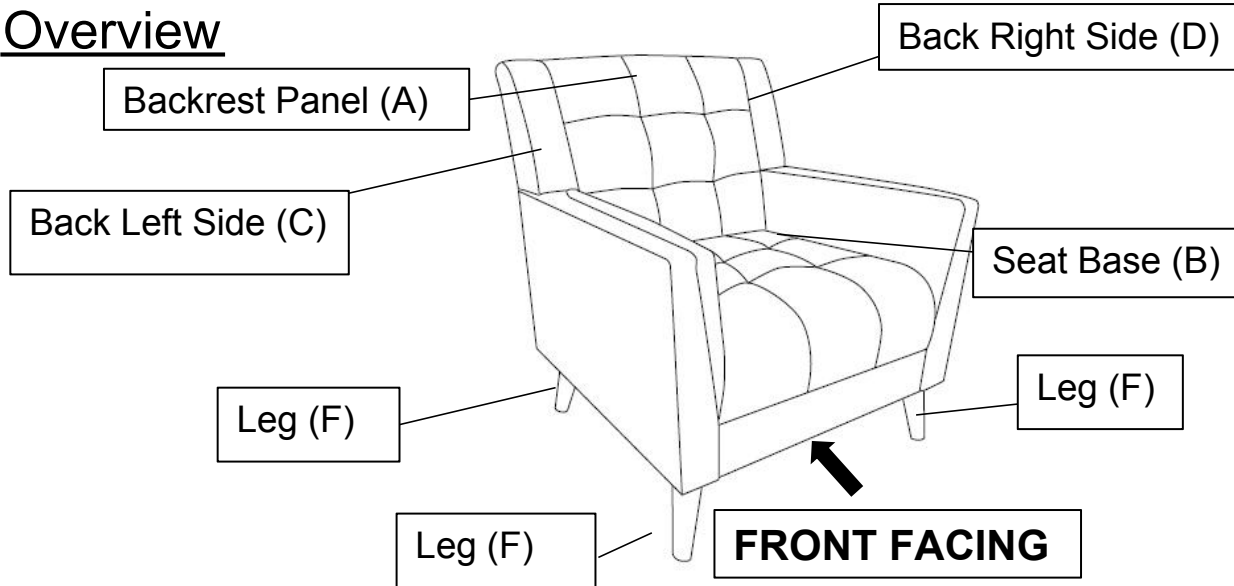
- Assemble on a clean non-marring surface (packing foam)-



- Save all packaging until finished-

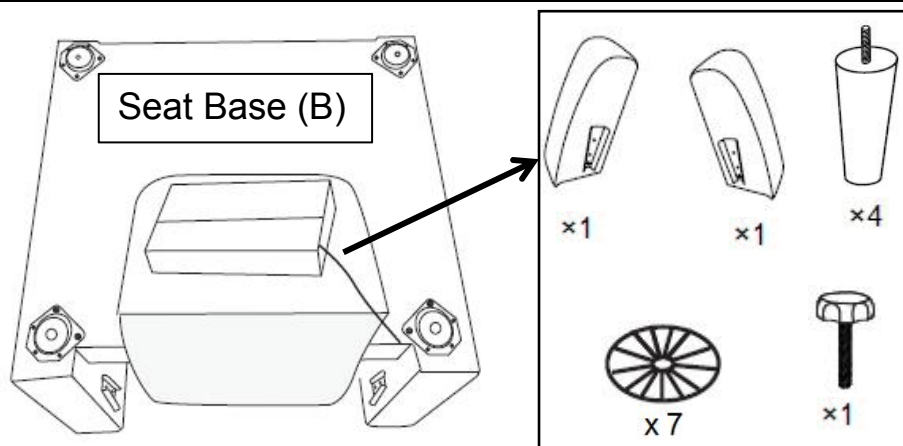
Assembly Steps

Overview



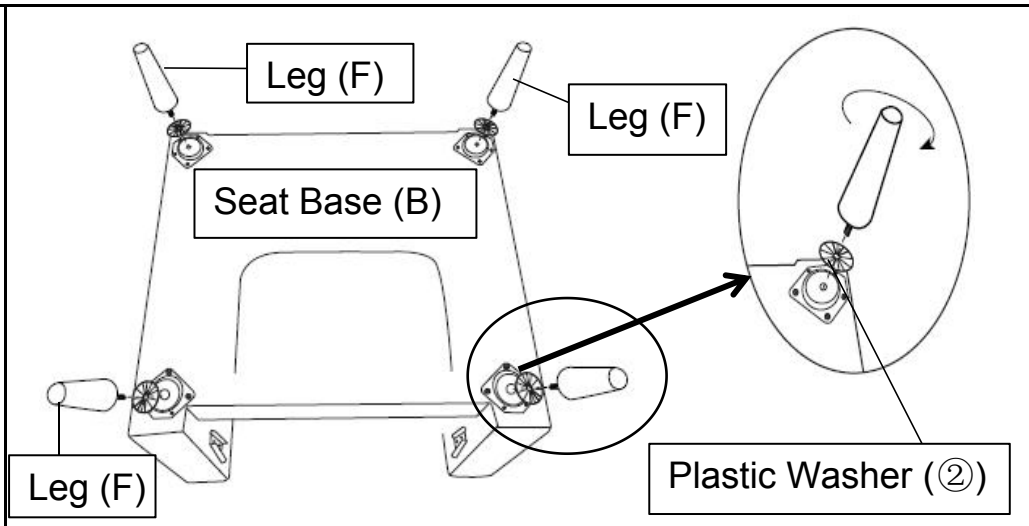
This Club Chair has multiple parts and may require up to 30 minutes to assemble. To give you an overview of the Club Chair parts, the above picture is to help you put the various parts into perspective. Please read through the instructions below to familiarise yourself with the parts and steps before assembly.

Step 1



With Assistance from your adult partner, position the Seat Base (B) facedown on a clean, non-marring surface, as shown. Upzip the pouch and remove the Chair Parts and Hardware. Close the pouch.

Step 2

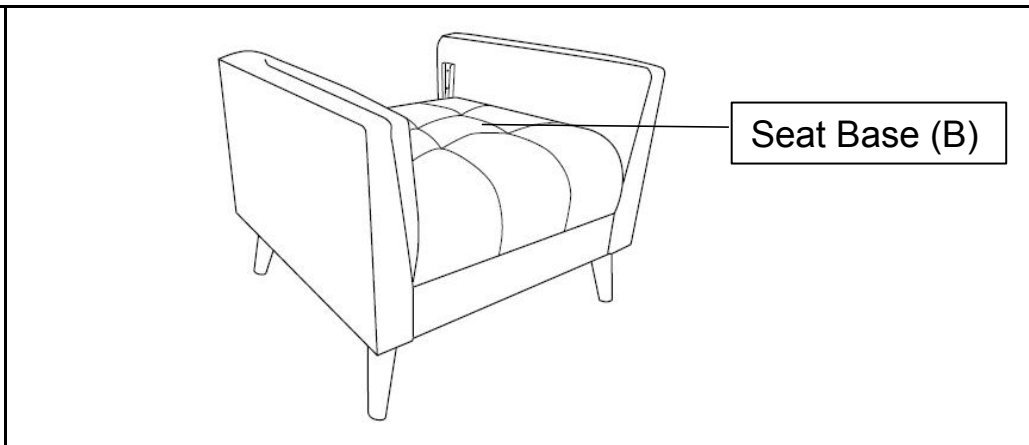


Install the Leg (F) into the bottom of the Chair Seat Base (B) by placing one Plastic Washer (2) and tighten by turning the leg clockwise. Repeat the same steps to install the remaining three legs(F).

Do not fully tighten the Legs.

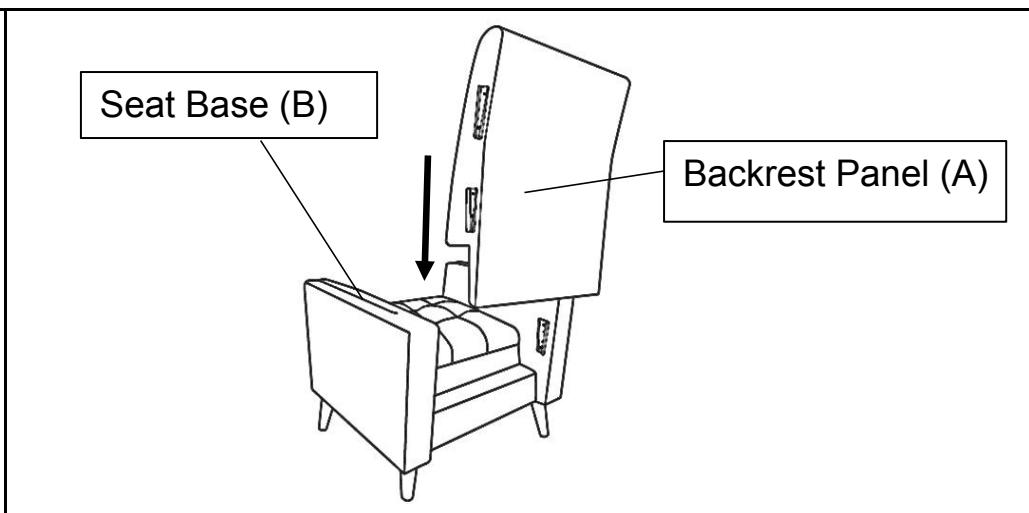
Note: The use of Plastic Washers(2) are OPTIONAL and are especially useful to help alleviate slight wobbleness. Some Legs may need more than one Plastic Washer(2) whilst some Legs may not

Step 3



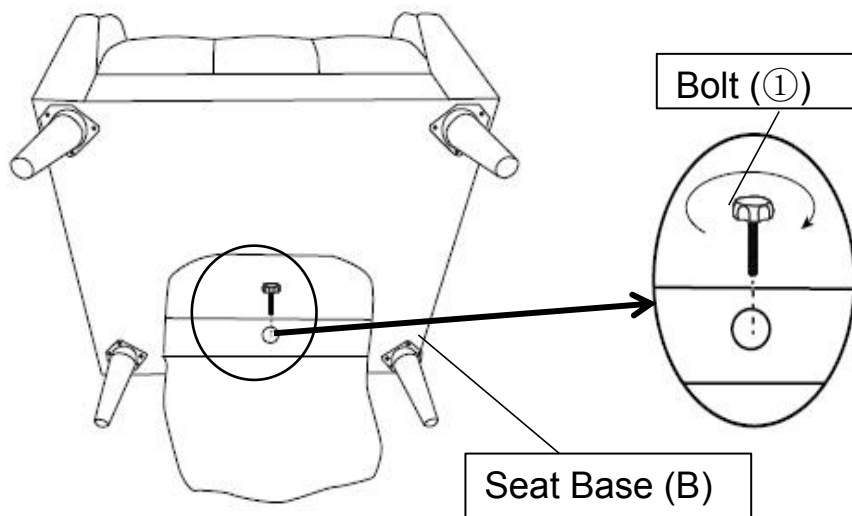
Stand the Seat Base(B) up.

Step 4



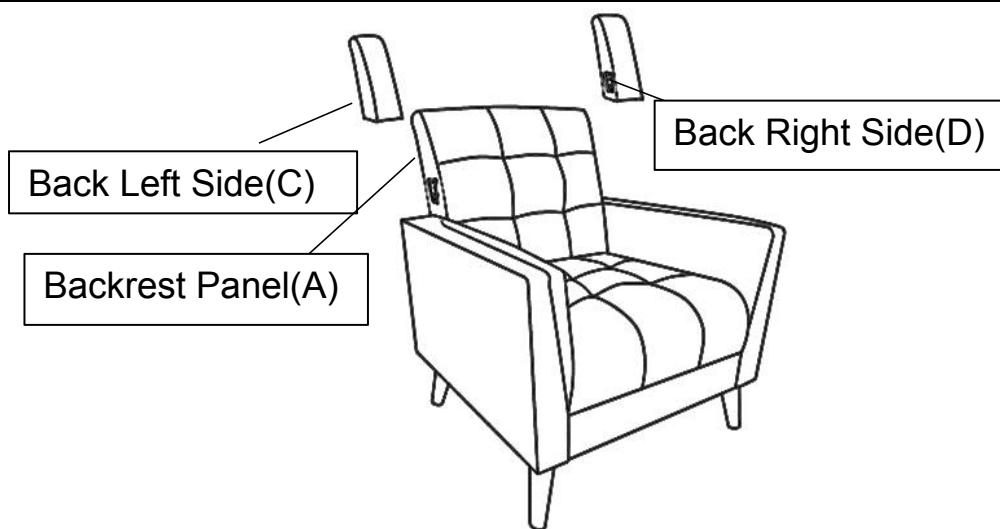
With assistance from your adult partner, lift the Backrest Panel (A) and insert the Connectors on the Backrest Panel (A) into the Connectors on the Seat Base (B).
 Push firmly down on Backrest Panel (A) to ensure it is fully locked into position.

Step 5



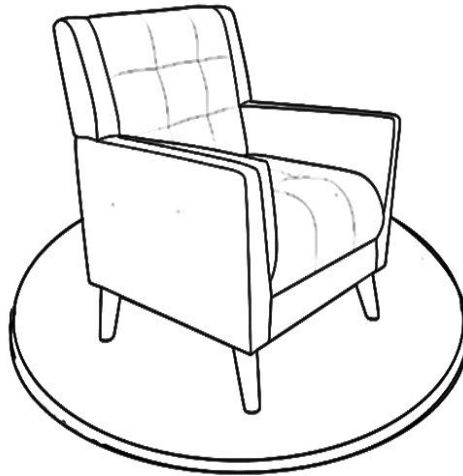
Upzip the pouch at the bottom of Seat Base(B).
 Attach Backrest Panel(A) and Seat Base(B) by using Bolt(1). Tighten the bolt completely by your hand.
 Then close the pouch.

Step 6



Insert the connector on the Back Left Side (C) and Back Right Side (D) into the connector on the Backrest Panel (A).
 Push firmly down on Back Left Side (C) and Back Right Side (D) to ensure they are fully locked into position.
 Press the Back Left Side (C) and the Back Right Side (D) forcefully to ensure that they are fully locked in place.

Step 7



Stand the Club Chair up.

Place the Club Chair on a LEVEL SURFACE.

Inspect it and make sure all parts are adequately connected.

Gently and carefully, sit on the Club Chair.

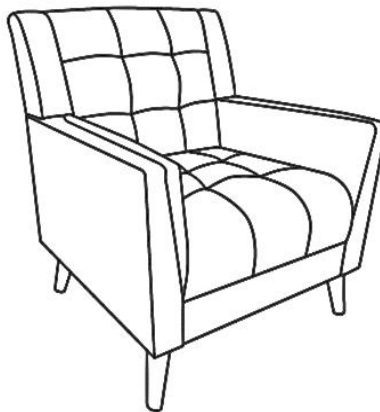
This pressure will help the Legs and Seat Base reach full alignment status.

Then get off the Club Chair and carefully place the Club Chair facedown.

Then proceed to tighten all Bolts at all joints in a sequential manner.

If there are still wobbles, loosen the Bolts and execute the same process.

Step 8



Your Club Chair is ready for use.

This Club Chair can only be used on a flat, level surface.

Care & Maintenance



- Furniture may scratch floors. We recommend using furniture pads to protect your floors.



- Do not put hot items directly on furniture surface.



- Do not clean furniture with harsh cleansers or polish.



- Do not place furniture under direct sunlight.



- Do not place furniture near heating or cooling vents.



- Do not write on furniture without a padded barrier to protect the surface.



- Do not place furniture outside . For indoor use only.



- Not for commercial use. For residential use only.



- Stains may be removed with mild soap solution and damp cloth.



- Children should not climb or jump on the furniture.



- Dust and pick-up spills using a clean, non-colored, lint-free cloth.