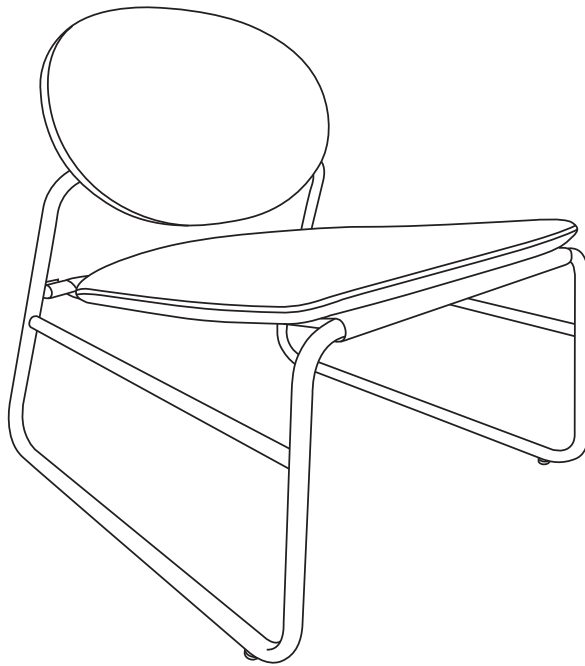
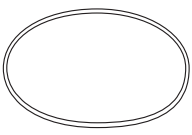
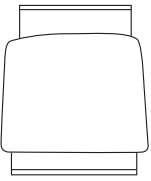
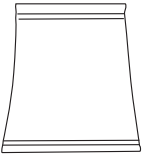





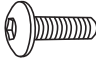
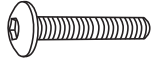



# ASSEMBLY INSTRUCTION

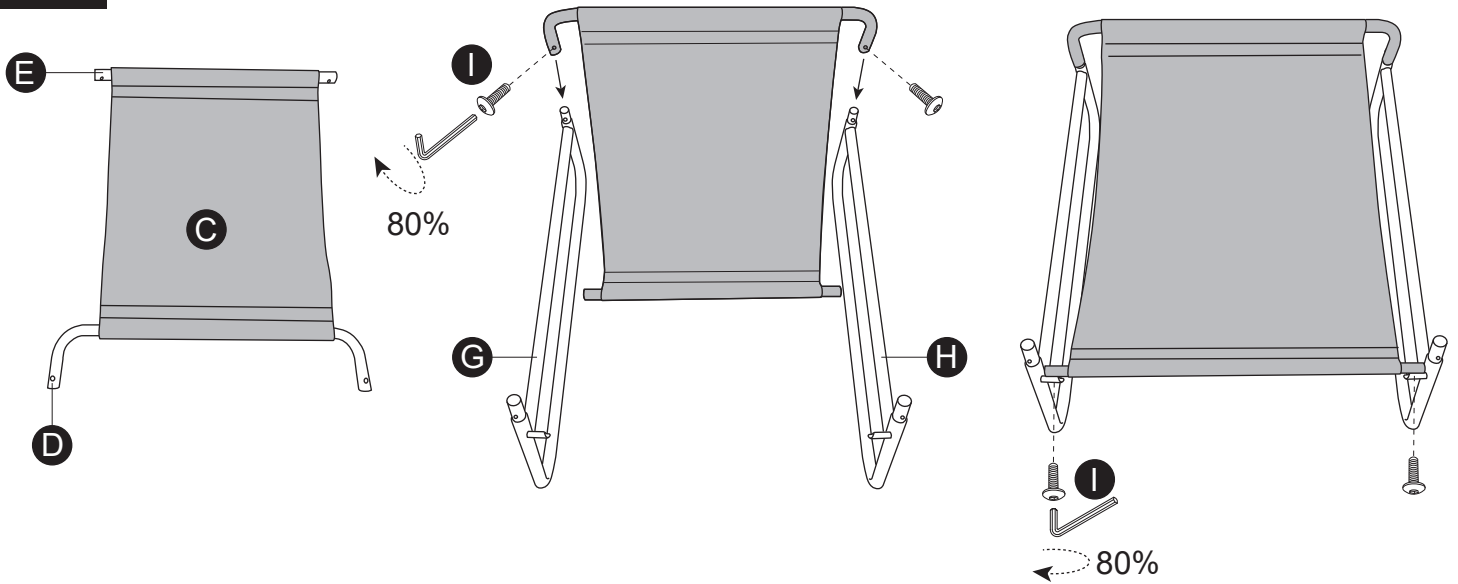
Before you assemble the product, please look through the instruction carefully.



<b>A</b>  1PC	<b>B</b>  1PC	<b>C</b>  1PC	<b>D</b>  1PC	<b>E</b>  1PC	<b>F</b>  1PC
<b>G</b>  1PC	<b>H</b>  1PC	<b>I</b> M6×16mm  6PCS	<b>J</b> M6×35mm  3PCS	<b>K</b>  1PC	

1

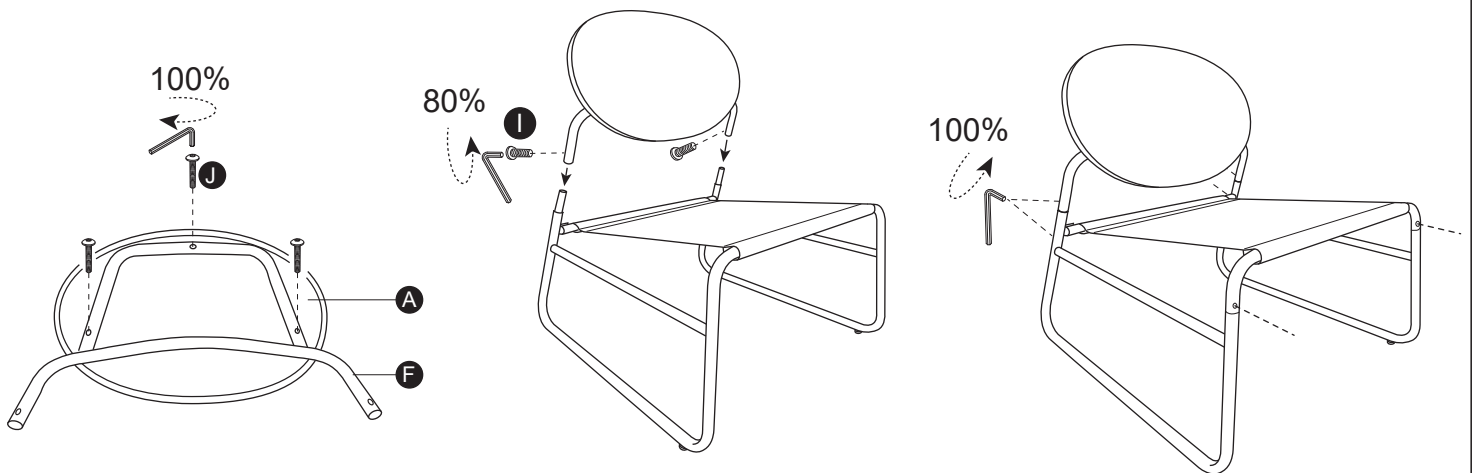
80% means don't tighten completely.



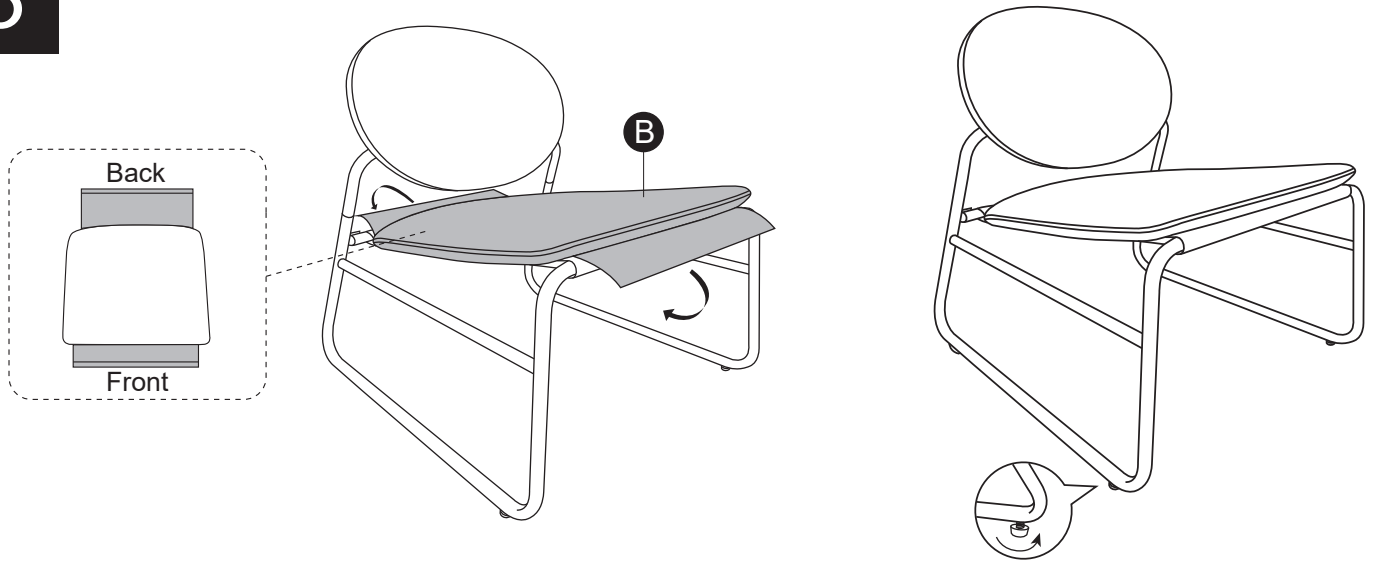
2

80% means don't tighten completely.

100% means you can full tighten.



3



You can adjust leveling feet to balance.